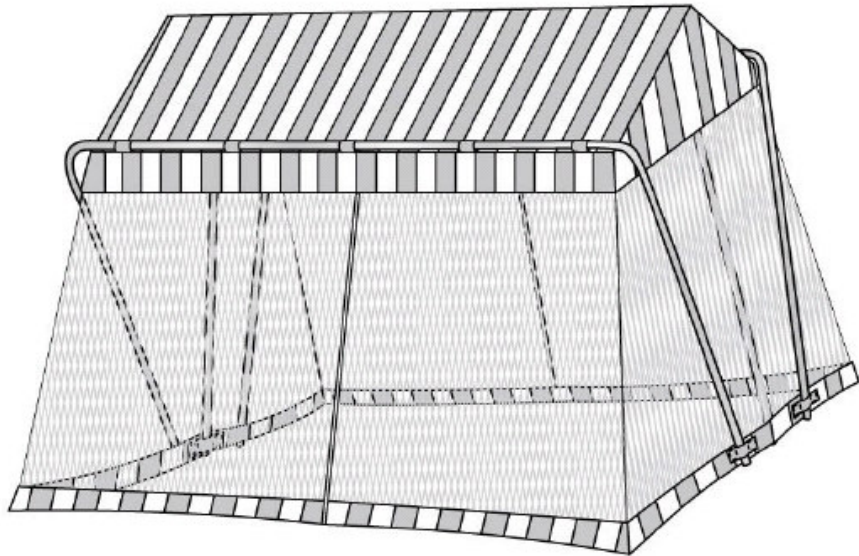




fourstargroup



**MODEL: 12502983**  
**12 FT. X 12 FT. SCREEN HOUSE**

## PARTS LIST AND HARDWARE

**A. Outside Frame #1(WITH "D" RING)**  
**( Black No. #1) 4 PCS**



**B. Outside Frame # 2 (Black No. #2) 4 PCS**



**C. Outside Frame #3 (Black No. #3) 2 PCS**



**D. Outside Frame #4 (BLACK No. #4) 2 PCS**



**E. Outside Frame #5 (Black No. #5) 2 PCS**



**F. Inside Frame # 1 (Red No. # 1) 2 PCS**



**G. Inside Frame # 2 (Red No. #2) 2 PCS**



**H. Inside Frame # 6 (Black No. #6) 2 PCS**



**I. Inside Frame # 7 (Black No. # 7) 2 PCS**



**J. Inside Frame # 8 (Black No. # 8) 2 PCS**



**K. Metal Stake 4 PCS**



**L. Screen House Cover 1 PC**



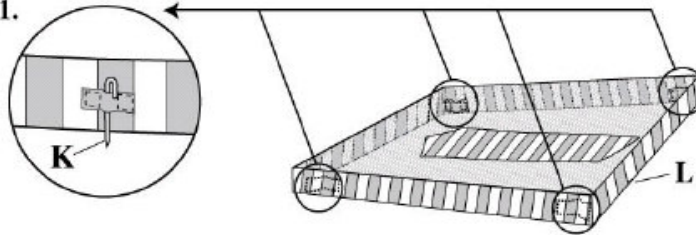
# ASSEMBLY INSTRUCTIONS

1. PLEASE CHECK THE SPARE PARTS AND HARDWARE BEFORE ASSEMBLY.  
IF PARTS ARE MISSING OR BROKEN, CONTACT CUSTOMER SERVICE USING THE INFORMATION AT THE BACK OF THIS MANUAL.
2. ASSEMBLY REQUIRES TWO PEOPLE.
3. IT IS RECOMMENDED TO SET UP THIS SCREEN HOUSE ON GRASS OR SOIL GROUND.

## Step 1:

Stretch out 4 corners of SCREEN HOUSE COVER (L) and insert METAL STAKES (K) through outside loops of screen house as close-up inset view shown in FIGURE 1.

FIGURE 1.

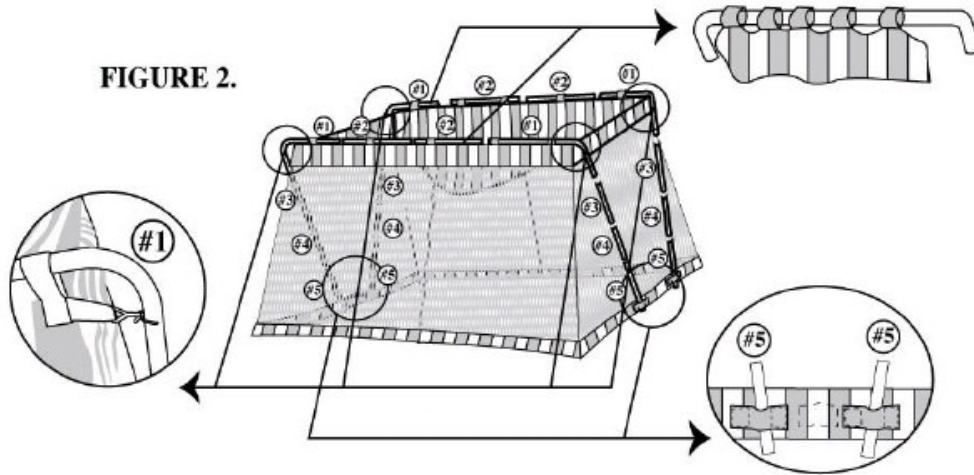


## Step 2:

Connect OUTSIDE FRAME # 1 & # 2 (A & B) and go through 5 outside loops on eaves of SCREEN HOUSE COVER (L). Attach OUTSIDE FRAMES #3, #4, and #5 (C, D, & E) to OUTSIDE FRAME # 1(A) and insert OUTSIDE FRAME #5 (E) into bottom loop of two sides of SCREEN HOUSE COVER (L). Lock 4 Hooks on eaves corners of SCREEN HOUSE COVER (L) into "D" ring of OUTSIDE FRAME #1 (A). See FIGURE 2.

Repeat above proceed steps to assemble other OUTSIDE FRAME.

FIGURE 2.

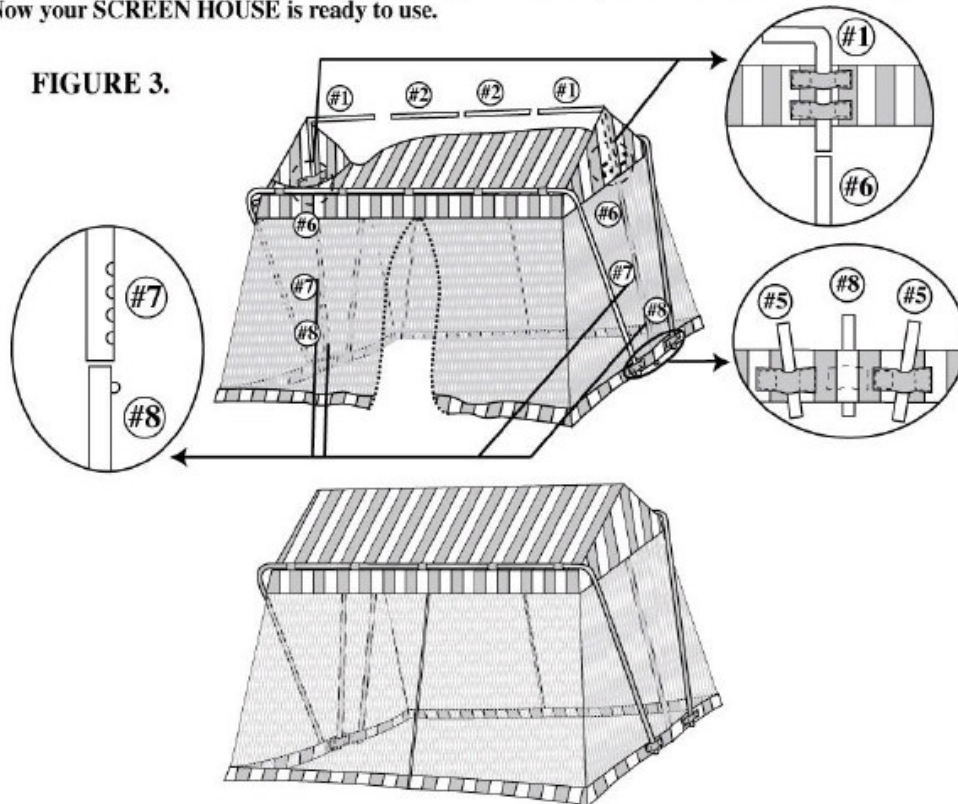


**Step 3:**

Open zippers of the door and go into screen house to set up inside frames. Insert **INSIDE FRAME #1 (F)** through inside loops on two top sides of **SCREEN HOUSE COVER (L)** and then connect **INSIDE FRAME #2 (G)** to **INSIDE FRAME #1 (F)**.

Attach **INSIDE FRAME #6, #7, and #8 (H, I, & J)** to **INSIDE FRAME #1 (F)**, and insert **INSIDE FRAME #8 (J)** into inside bottom loop of **SCREEN HOUSE COVER (L)**. Adjust roof height by using various holes on **FRAME #7 & #8 (I & J)**. See close-up inset view shown in **FIGURE 3**. Now your **SCREEN HOUSE** is ready to use.

**FIGURE 3.**



If you need assistance with the assembly of your 12 FT. X 12 FT. SCREEN HOUSE please e-mail our Customer

Service Department at:

[support@fourstari.com](mailto:support@fourstari.com)

or call us at (508) 435-4830

or (800) 639-3803

Both hot lines are available from 9 AM to 5 PM (EST)

DO NOT RETURN TO THE STORE. IF PARTS ARE

MISSING OR YOU HAVE QUESTIONS

PLEASE CALL THE CUSTOMER SERVICE LINE.

■ This product is MADE IN CHINA.

Please include the following information in your email:

- Where item was purchased
- Item, model, style or SKU number listed on instructions or box
- Part number, description of the part and quantity needed

This information will help us get the proper part to you faster