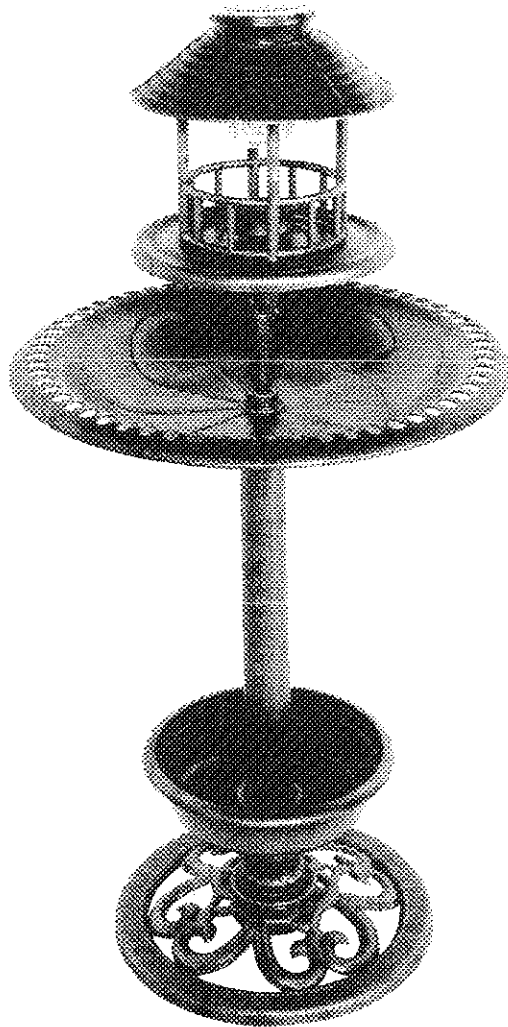




fourstargroup



MODEL: X2550061

BIRD BATH WITH SOLAR LIGHT

PARTS LIST AND ASSEMBLY

IMPORTANCE:

**PLEASE READ THE ASSEMBLY INSTRUCTIONS CAREFULLY.
A SCREW DRIVER IS NEEDED DURING THE ASSEMBLY.
MAKE SURE YOU HAVE ALL THE PARTS ON THE LIST.**

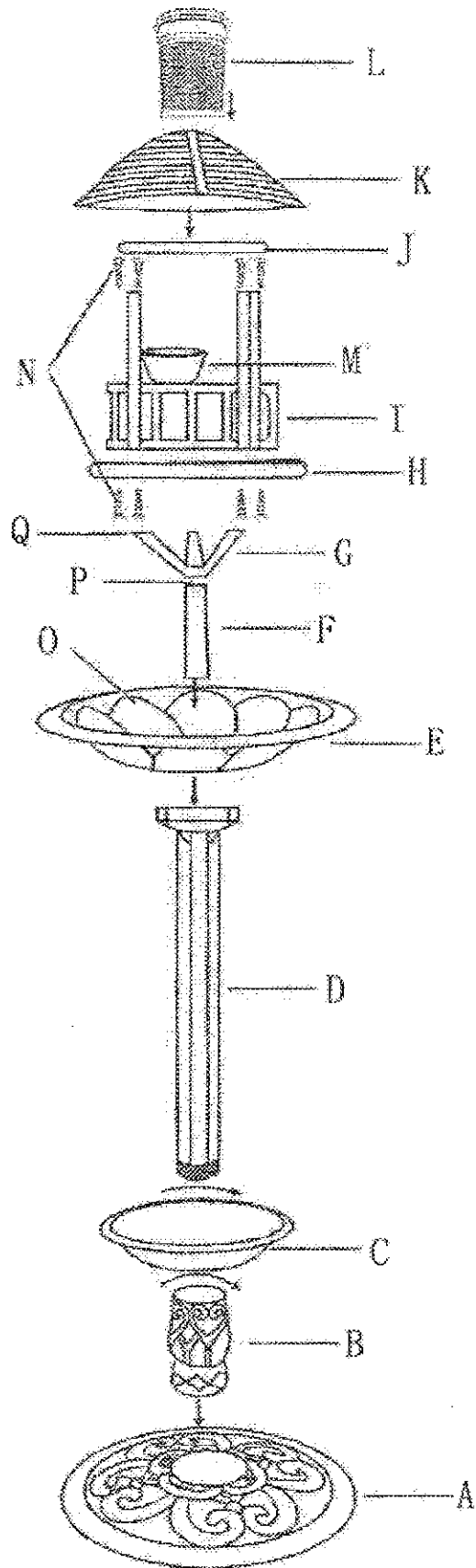
PART LIST

A: BASE	1 PC	B: BOTTOM POLE	1 PC
C: SMALL POOL	1 PC	D: MAIN POLE	1 PC
E: BIG POOL	1 PC	F: SUPPORTING POLE	1 PC
G: TRIPOD	1 PC	H: SUPPORTING PANEL	1 PC
I: BARRIER	4 PCS	J: BRACE	1 PC
K: ROOF	1 PC	L: SOLAR LIGHT	1 PC
M: DISH	1 PC	N: MIDDLE BOLT	8PCS
O: MAIN BOLT	1PC	P: LONG BOLT WITH WASHER	1 PC
Q: SMALL BOLT	3 PCS		

Assembly Step:

Please refer to the diagram during assembly.

1. Screw Bottom Pole (B) to the Base (A), then followed by Small Pool (C) and Main Pole (D).
2. Fix the top of Tripod (G) to Supporting Pole (F) with Long Bolt and Washer (P), attach the leg of Tripod to Supporting Panel (H) with 3 pcs of Small Bolt (Q).
3. Place the four pieces of Barrier (I) into position on the Supporting Panel (H). Connect the Barrier (I) end to end. Fasten the Barrier (I) to the Supporting Panel (H) with 4 pcs Middle Bolt (N).
4. Now, join Supporting Pole (F) to Big Pool (E) with Main Bolt (O) and screw the Big Pool (E) to Main Pole (D).
5. Fix the Brace (J) to the pole of Barrier (I) with Small Bolt (Q), then tighten the Roof (K) to Brace (J). Place the Dish (M) and the Solar light (L) in place. The assembly of the item is complete.



ADDITIONAL INFORMATION FOR SOLAR LIGHT:

The solar light comes with a battery.

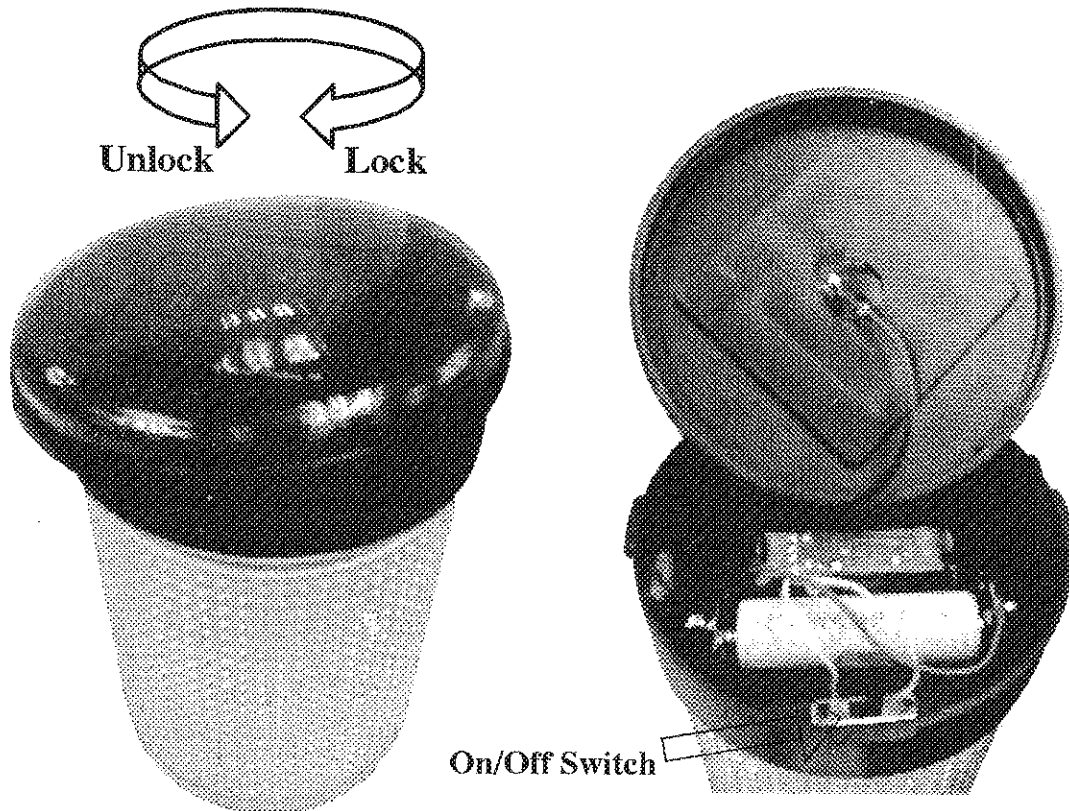
Please keep the battery dry.

Please proceed very carefully during the operation.

Please find the following tips to operate the solar light:

1. Counter clockwise turn to unscrew the cap of the light
2. Carefully hold the cap(since the wire inside is limited) and place the battery in place
3. Horizontal move the on/off switch as shown to turn on/off the light.
4. Put the cap back to its place and turn clockwise to tighten the cap.

Note: Do not overexert during this procedure to avoid the breakage of the solar light.



Do you have any questions? Missing small parts or hardware?
If you need assistance with the assembly of your
BIRD BATH WITH SOLAR LIGHT
please e-mail our Customer Services Department at:
support@fourstari.com
or call us at (508) 435-4830
or (500) 639-3803

Please include the following information in your email:

- Where item was purchased
- Item, model, style or SKC number listed on instructions or box
- Part number, description of the part and quantity needed

This information will help us get the proper part to you faster