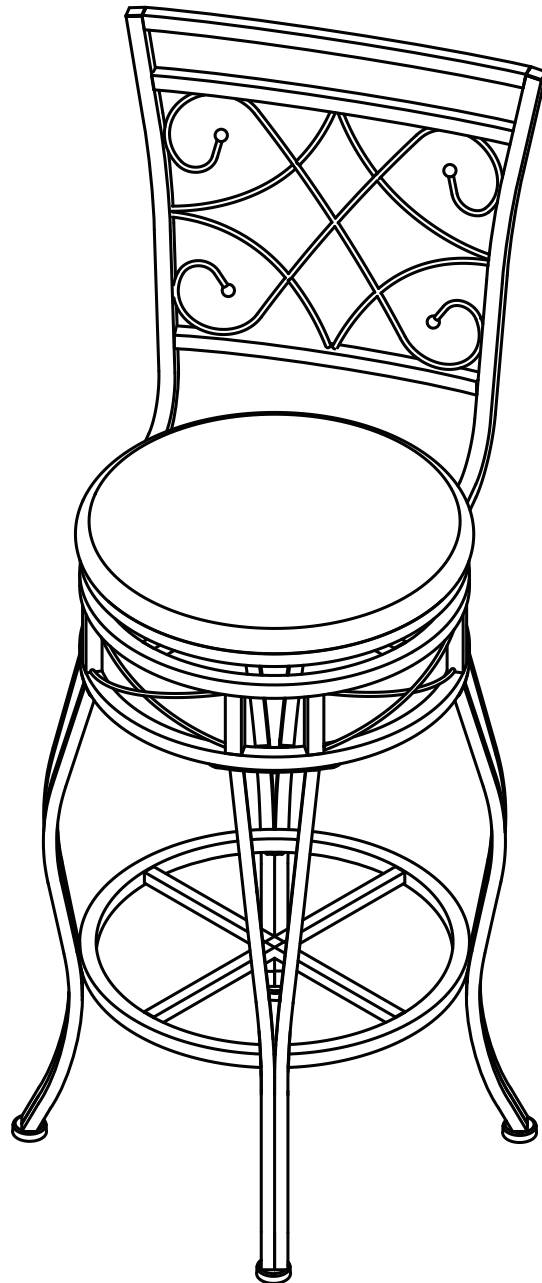




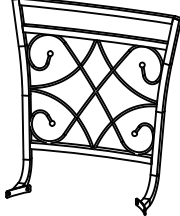
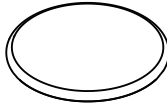
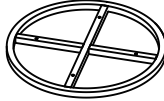

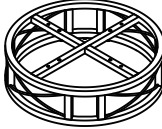
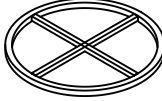




fourstargroup



MODEL: 11222326

**SWIVEL BARSTOOL**

## PARTS AND HARDWARE

| NO | HARDWARE LIST   | QTY    |
|----|---|--------|
| A  | <b>BACK</b>               | 1 PC   |
| B  | <b>CHAIR CUSHION</b>      | 1 PC   |
| C  | <b>SEAT</b>               | 1 PC   |
| D  | <b>SWIVEL TRAY</b>      | 1 PC   |
| E  | <b>CHAIR CONNECTOR</b>  | 1 PC   |
| F  | <b>CHAIR CIRCLE</b>     | 4 PCS  |
| G  | <b>LEG</b>              | 4 PCS  |
| H  | <b>BOLT</b>             | 28 PCS |
| I  | <b>ALLEN WRENCH</b>     | 1 PC   |
| J  | <b>WOOD SCREW</b>       | 4 PCS  |

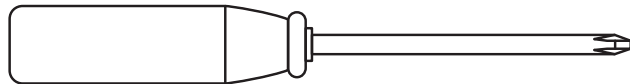
# ASSEMBLY INSTRUCTIONS

## CAUTION:

1. READ THIS INSTRUCTION MANUAL BEFORE YOU ASSEMBLE.
2. ASSEMBLE ON SOFT SURFACE TO PREVENT DAMAGE TO THE PRODUCT FINISH.

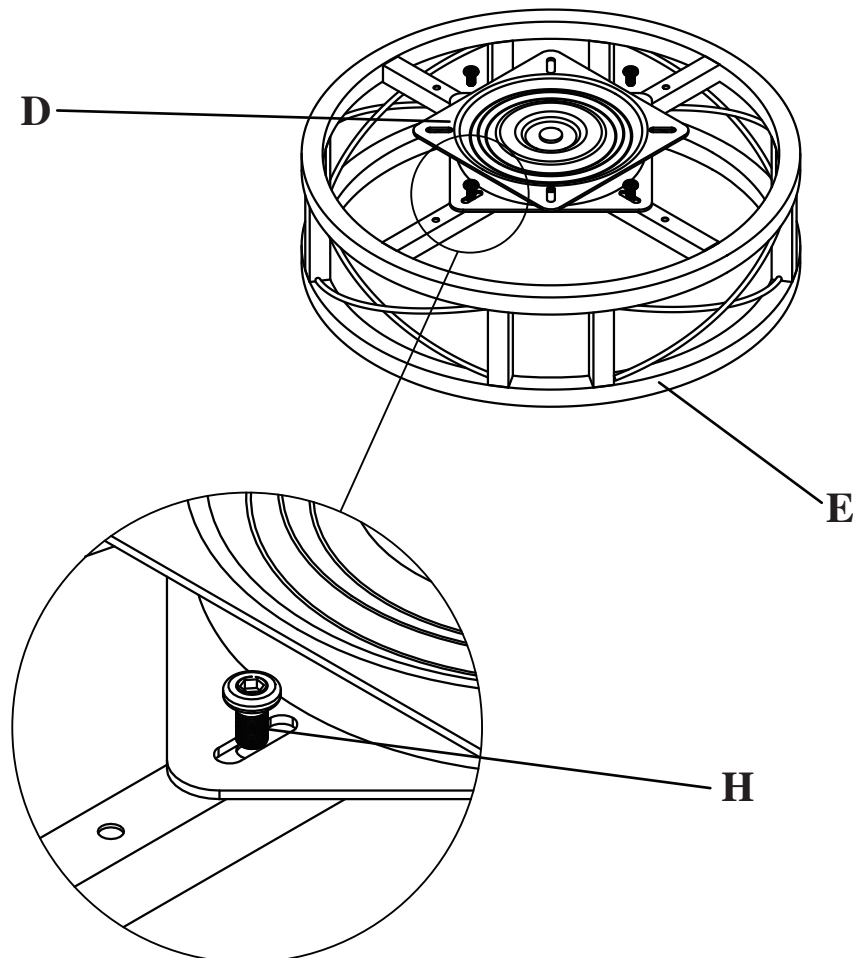
## ASSEMBLY TOOL REQUIRED

PHILIPS SCREWDRIVER



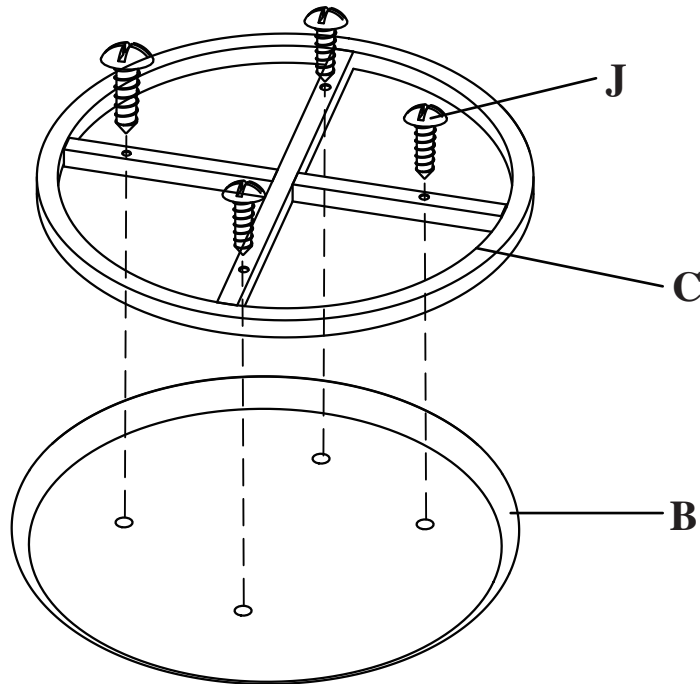
## STEP 1

ATTACH SWIVEL TRAY (D) TO CHAIR CONNECTOR (E) USING BOLTS (H) AS SHOWN.



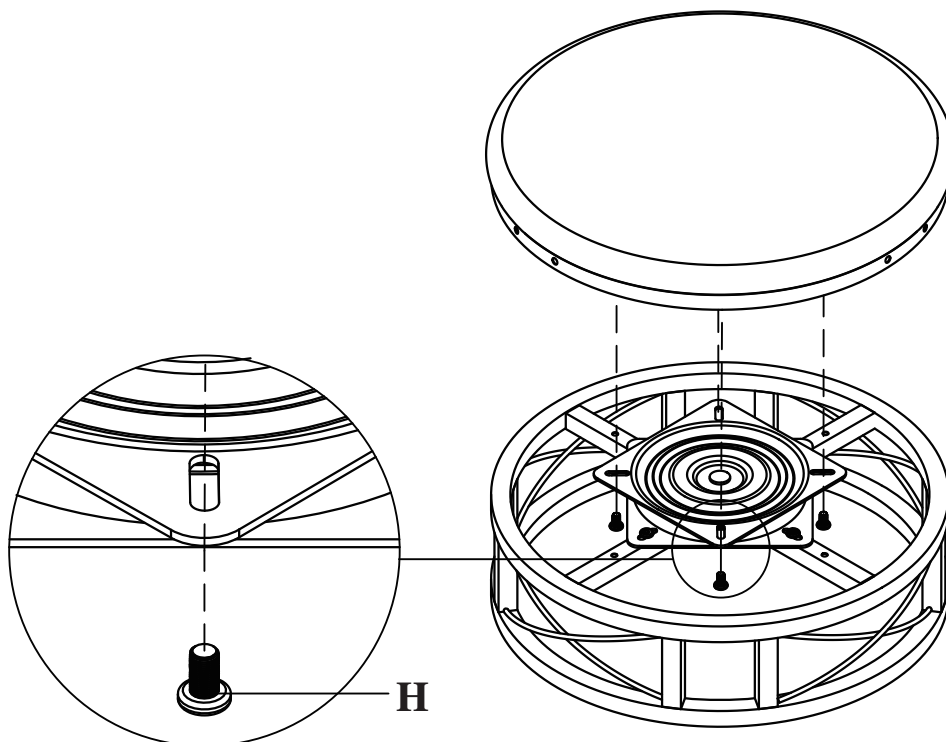
**STEP 2**

**ATTACH CHAIR CUSHION (B) TO SEAT (C) USING WOOD SCREWS (J) AS SHOWN.**



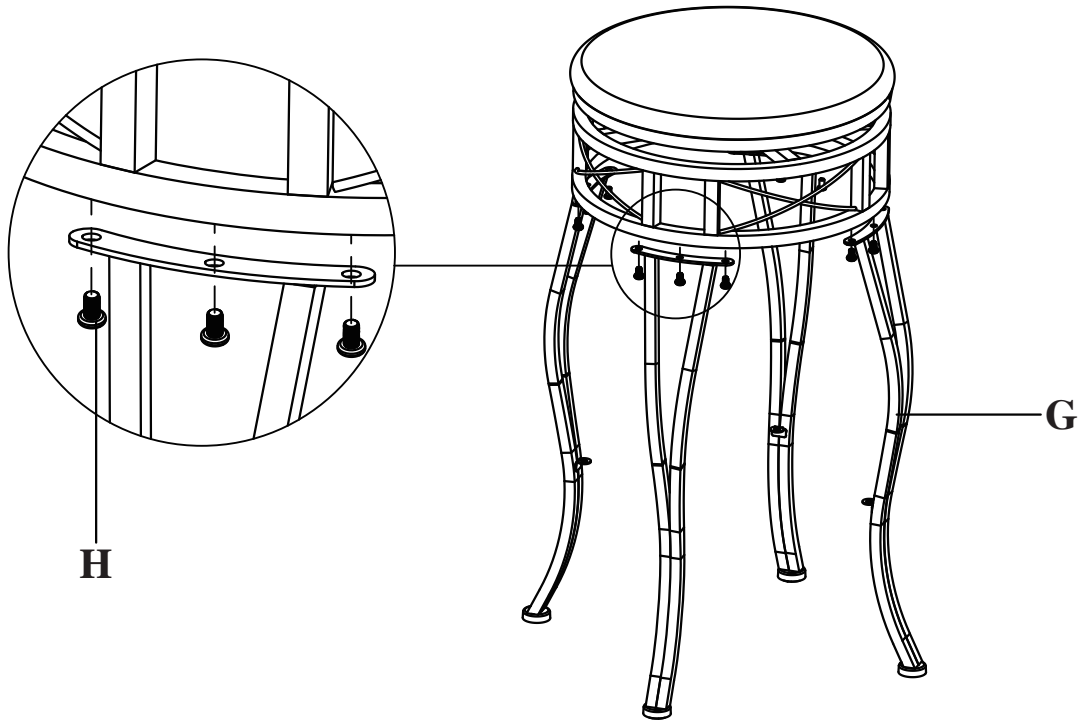
**STEP 3**

**ATTACH STEP 2 FINISHED PART TO STEP 1 FINISHED PART USING BOLTS (H) AS SHOWN.**



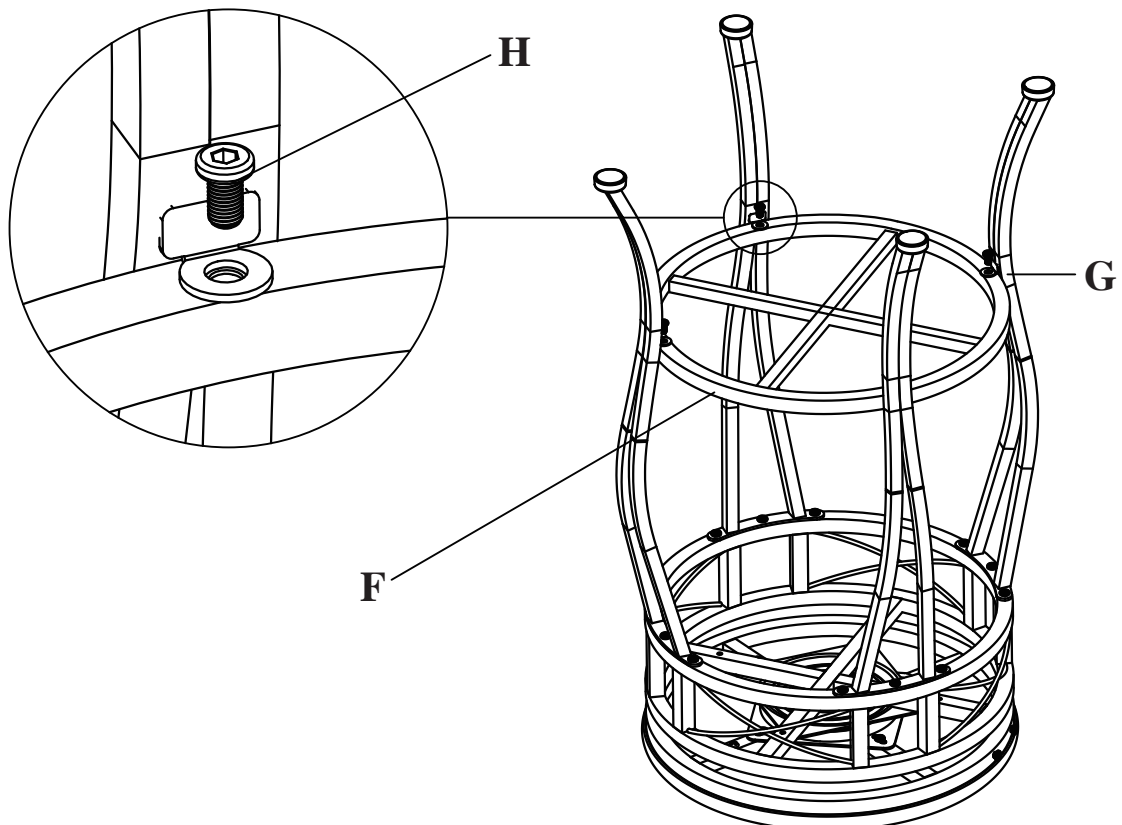
**STEP 4**

**ATTACH LEGS (G) TO STEP 3 FINISHED PART USING BOLTS (H) AS SHOWN.**



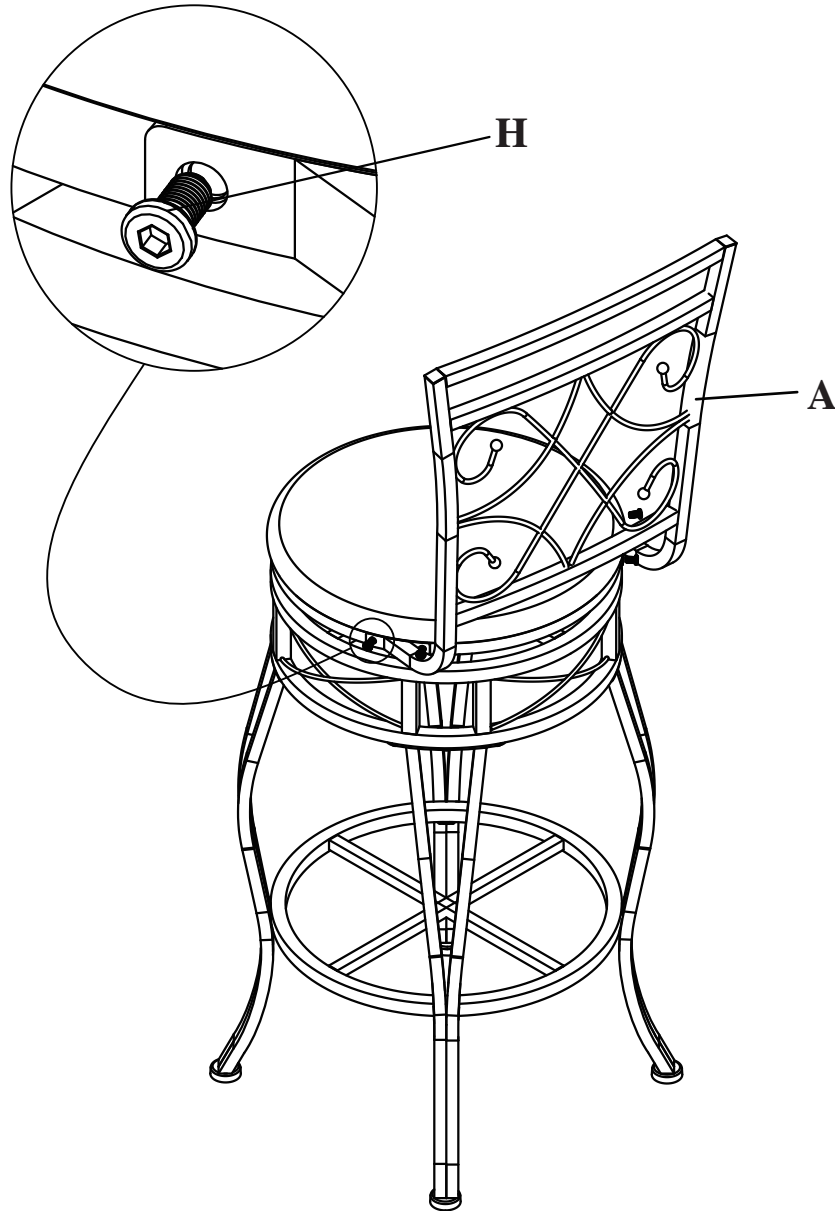
**STEP 5**

**ATTACH CHAIR CIRCLE (F) TO LEGS (G) USING BOLTS (H) AS SHOWN.**



## STEP 6

**ATTACH BACK (A) TO STEP 5 FINISHED PART USING BOLTS (H) AS SHOWN.**



Do you have any questions? Missing small parts or hardware?

If you need assistance with the assembly of your SWIVEL

BARSTOOL please e-mail our Customer Service

Department at: [support@fourstari.com](mailto:support@fourstari.com)

or call us at (508) 435-4830

or (800) 639-3803

Please include the following information in your email:

- Where item was purchased
- Item, model, style or SKU number listed on instructions or box
- Part number, description of the part and quantity needed

This information will help us get the proper part to you faster