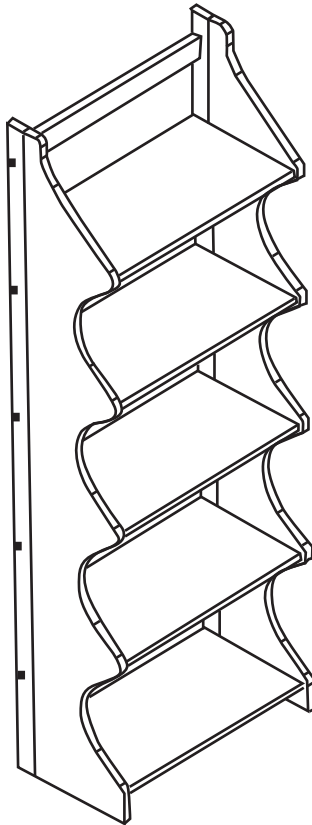





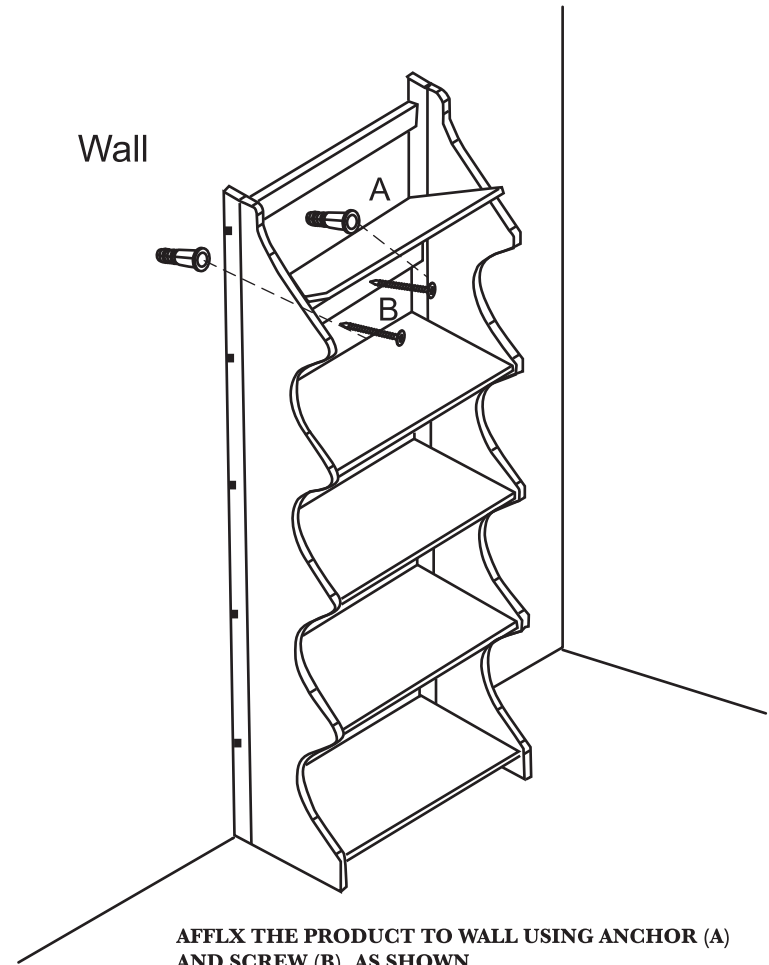
fourstargroup



MODEL: X1200261F
WOODEN 5 TIER FOLDING BOOKCASE

PART LIST

<p>A x 2</p> 	<p>B x 2</p> 
---	---



Do you have any questions? Missing small parts or hardware?
If you need assistance with the assembly of your wooden 5 tie.
Foldingbookcase please e-mail our Customer Service
Department at: support@fourstari.com
or call us at (508) 435-4830
or (800)639-3803

Please include the following information in your email:

- Where item was purchased
- Item, model, style or SKU number listed on instructions or box
- Part number description of the part and quantity needed

This information will help us get the puoper part to you faster

 fourstargroup	<p>CUSTOMER</p>	<p>ITEM NO.</p>	<p>ITEM DESCRIPTION</p>	<p>A/W NO.</p>	<p>MDSER</p>	<p>DESIGNER</p>	<p>DATE</p>
	<p>FSG</p>	<p>X1200261F</p>	<p>Explanation</p>	<p>0810072</p>	<p>Black</p>	<p>Liz</p>	<p>2008 10/14</p>
<p>This proprietary artwork and concepts are copyright designs of Fourstar Group Inc. 2006. No part of this artwork may be reproduced or transmitted in any form without prior approval or consent</p>							