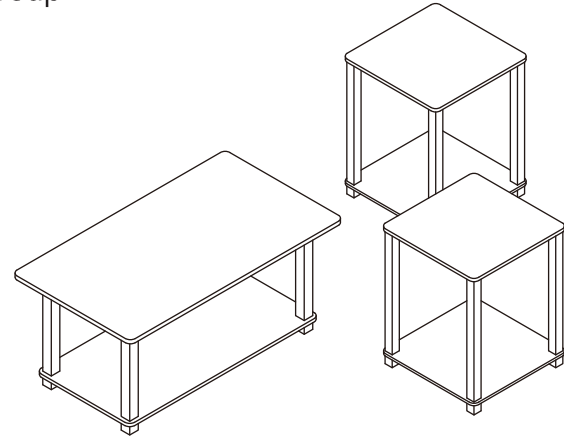




**MODEL: 11260132**  
**COFFEE TABLE AND**  
**END TABLE SET**



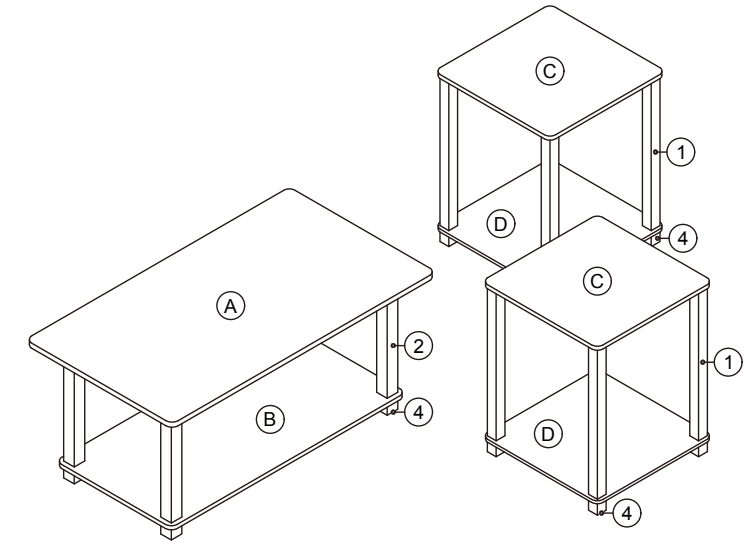
**BEFORE YOU BEGIN, PLEASE READ ASSEMBLY INSTRUCTIONS CAREFULLY. FOLLOW THEM STEP BY STEP.**  
**CAUTION:**  
 1. ADULT SUPERVISION IS REQUIRED DUE TO SMALL PARTS. CARE SHOULD BE TAKEN IN THE UNPACKING AND ASSEMBLY OF THE PRODUCT.  
 2. ASSEMBLE ON SOFT SURFACES TO PREVENT DAMAGE TO THE PRODUCT FINISH.  
 3. MAKE SURE ALL PARTS ARE INCLUDED BEFORE ASSEMBLY.  
 4. PLACE COFFEE TABLE AND END TABLE SET ON FLAT, LEVEL SURFACE. COFFEE TABLE AND END TABLE SET WILL NOT BE STABLE ON HIGH PILE CARPETING OR OUT OF LEVEL SURFACES. NOT FOR USE ON HIGH PILE CARPETING OR OTHER SIMILAR SURFACES.  
**ASSEMBLY TOOLS REQUIRED**  
**RUBBER Mallet**  
**SCREWDRIVER**

Do you have any questions? Missing small parts or hardware? If you need assistance with the assembly of your COFFEE TABLE AND END TABLE SET please e-mail our Customer Service Department at: [support@fourstari.com](mailto:support@fourstari.com) or call us at **(508) 473-7688** or **(800) 639-3803**

Please include the following information in your email:  
 • Where item was purchased • Item, model, style or SKU number listed on instructions or box • Part number, description of the part and quantity needed  
 This information will help us get the proper part to you faster

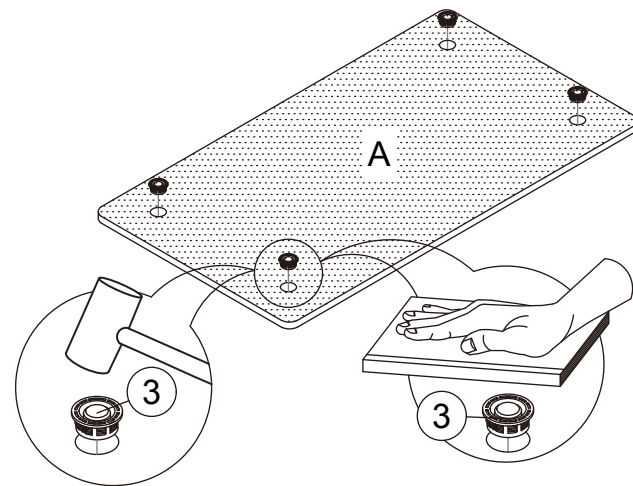
**PARTS LIST AND HARDWARE**

NO	HARDWARE LIST	QTY
1	LONG POLE	8 PCS
2	SHORT POLE	4 PCS
3	INSERT CAP	12 PCS
4	LEG	12 PCS
<b>COFFEE TABLE PARTS LIST</b>		
A	TOP PANEL	1 PC
B	BOTTOM PANEL	1 PC
<b>COFFEE TABLE PARTS LIST</b>		
C	TOP PANEL	2 PCS
D	BOTTOM PANEL	2 PCS

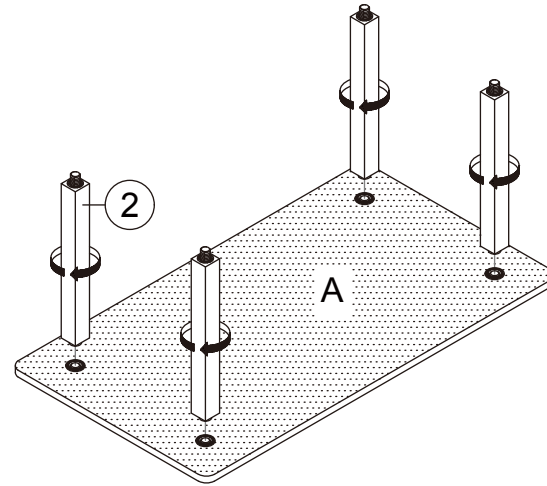


**ASSEMBLY INSTRUCTIONS**

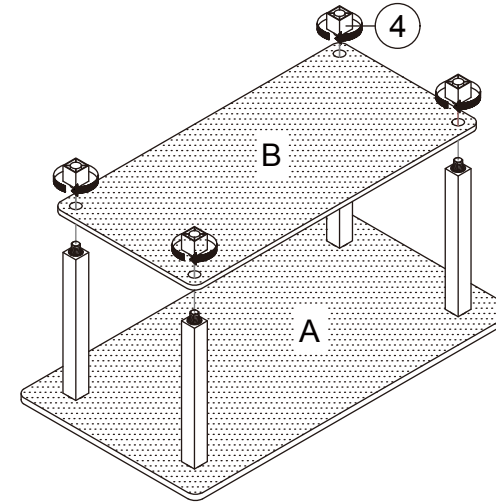
**STEP 1**  
 INSTALL INSERT CAP (3) INTO TOP PANEL (A).



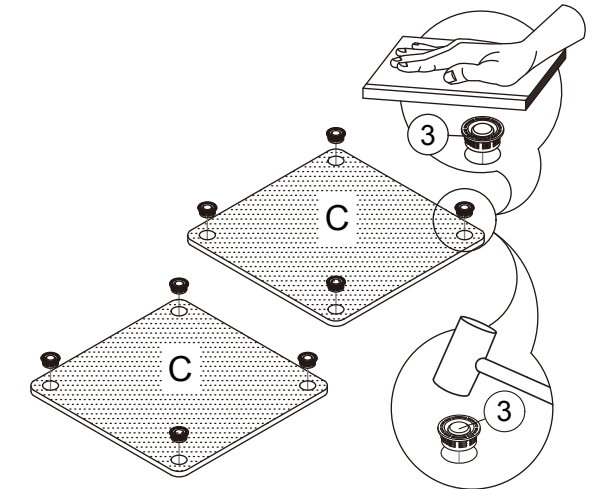
**STEP 2**  
 ATTACH SHORT POLE (2) TO TOP PANEL (A).



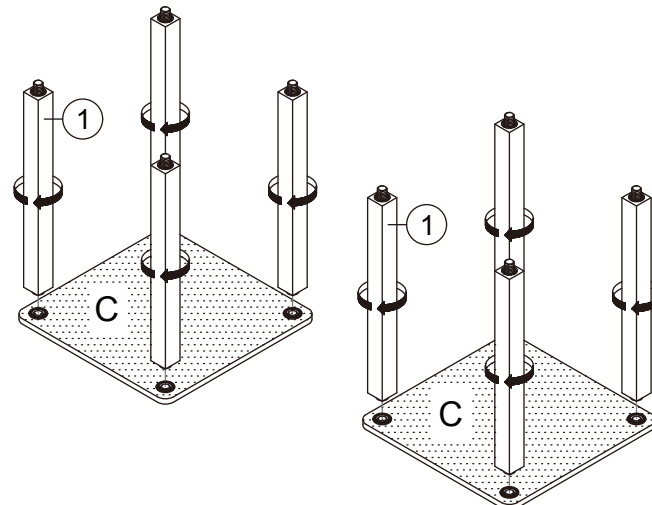
**STEP 3**  
 ATTACH LEG (4) TO BOTTOM PANEL (B) AND TIGHTEN IT.



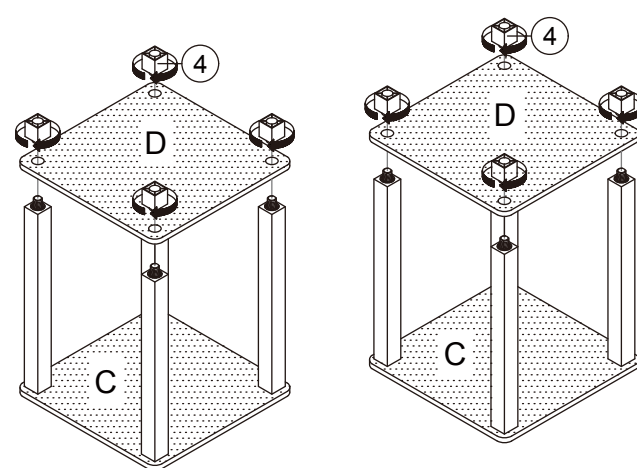
**STEP 4**  
 INSTALL INSERT CAP (3) INTO TOP PANEL (C).



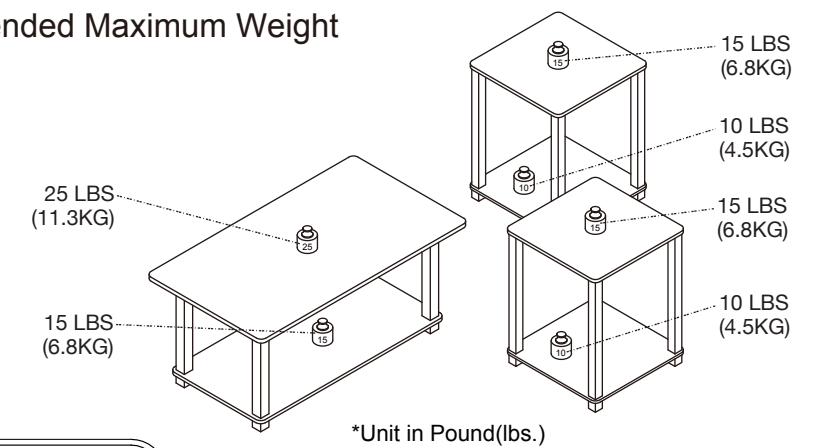
**STEP 5**  
 ATTACH LONG POLE (1) TO TOP PANEL (C).



**STEP 6**  
 ATTACH LEG(4) TO BOTTOM PANEL (D).



**Recommended Maximum Weight**



This unit is intended for use only with the products and maximum weights indicated. Use with other products or products heavier than the maximum weights indicated may result in instability causing possible injury. Furniture can tip over or break if improperly moved. Have a friend help to lift and carry the unit to it's new location.

**CAUTION: MAXIMUM LOADING CAPACITY COFFEE TABLE FOR 40LBS, END TABLE FOR 25LBS**  
 DO NOT SIT, STAND, LEAN, WALK CLIMB OR JUMP ON FURNITURE! FAILURE TO COMPLY WITH THIS CAUTION COULD RESULT IN PERSONAL INJURY AND/OR PROPERTY DAMAGE!