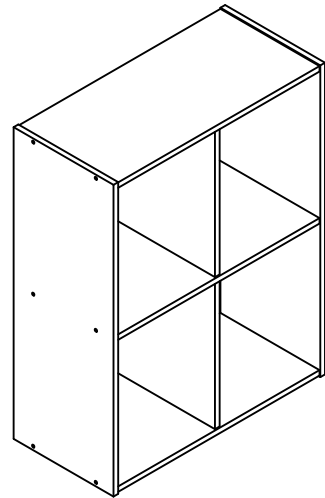




**MODEL: 11226112**  
**4 CUBE ORGANIZER**

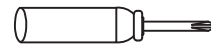


BEFORE YOU BEGIN, PLEASE READ THE ASSEMBLY INSTRUCTIONS CAREFULLY. FOLLOW THEM STEP BY STEP.

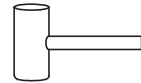
**CAUTION:**

1. ADULT SUPERVISION IS REQUIRED DUE TO SMALL PARTS. HANDLE WITH CARE WHEN UNPACKING AND ASSEMBLING THE PRODUCT.
2. ASSEMBLE ON A SOFT SURFACES TO PREVENT DAMAGE TO THE PRODUCT FINISH.
3. MAKE SURE ALL PARTS ARE INCLUDED BEFORE ASSEMBLY.

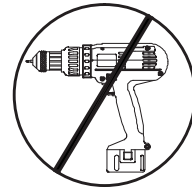
**ASSEMBLY TOOLS REQUIRED**



SCREWDRIVER



HAMMER



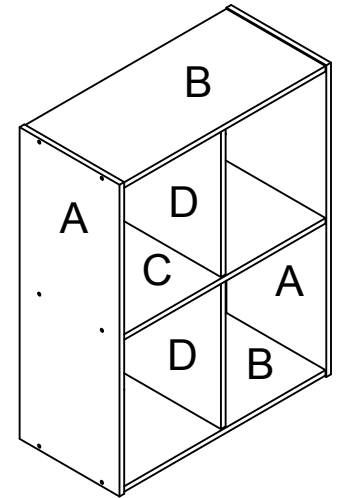
Do you have any questions? Missing small parts or hardware? If you need assistance with the assembly of your 4 CUBE ORGANIZER WITH 2 BINS please e-mail our Customer Service Department at: [support@fourstari.com](mailto:support@fourstari.com) or call us at (508) 473-7688, (800) 639-3803 or visit [www.fourstari.com](http://www.fourstari.com)

Please include the following information when contacting us:  
 • Where item was purchased  
 • Item, model, style or SKU number listed on instructions or box  
 • Part number, description of the part and quantity needed  
 This information will help us get the proper part to you faster.

**PARTS LIST AND HARDWARE**

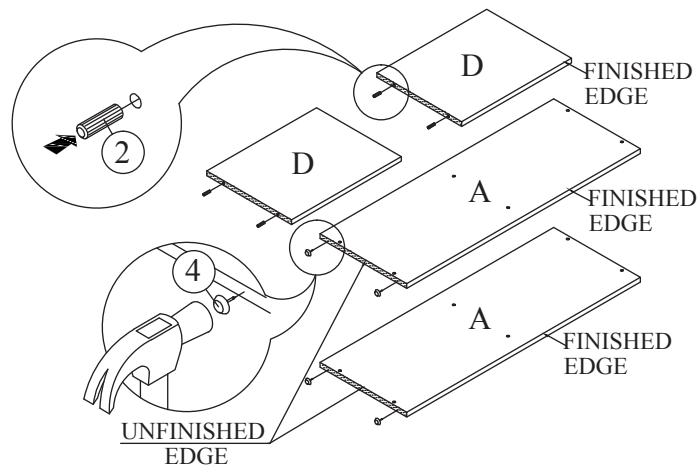
NO	HARDWARE LIST	QTY
1	SCREW	12 PCS
2	SHORT DOWEL	4 PCS
3	LONG DOWEL	2 PCS
4	NAIL LEG	4 PCS
5	POWER PIN	22 PCS
6	STICKER	12 PCS

NO	PARTS LIST	QTY
A	SIDE PANEL	2 PC
B	TOP & BOTTOM PANEL	2 PC
C	CENTER PANEL	1 PC
D	CENTER SIDE PANEL	2 PC
E	BACK PANEL	1 PCS

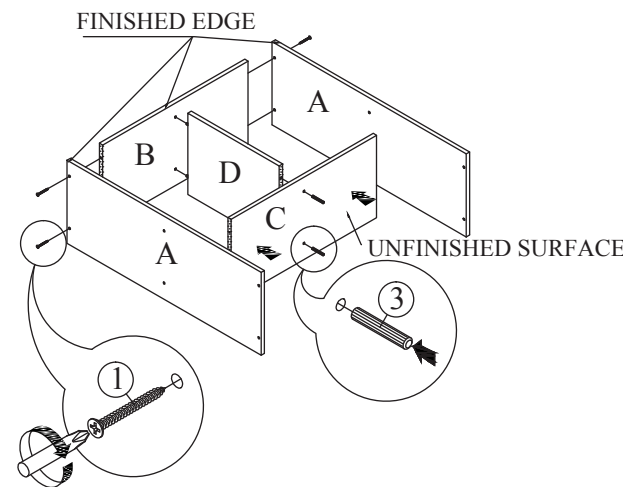


ASSEMBLY INSTRUCTIONS

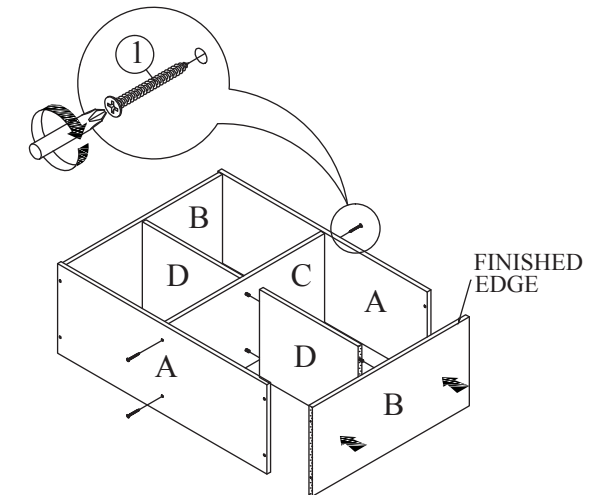
**STEP 1.**  
 1.1 INSTALL DOWEL (2) INTO PANEL PRE-DRILLED HOLES ON PANEL (D).  
 1.2 ATTACH NAIL LEG (4) INTO PANEL (A) USING HAMMER AS SHOWN.



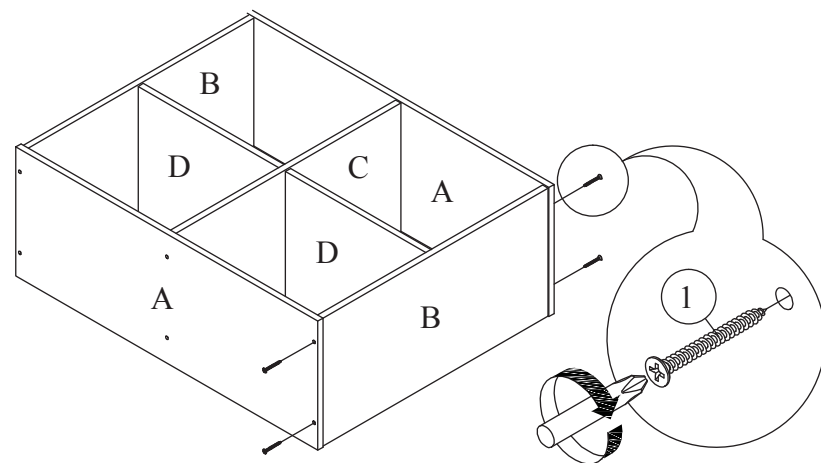
**STEP 2**  
 2.1 ATTACH PANEL (B)(D)(C) USING SHORT DOWEL (2) AND LONG DOWEL (3), AS SHOWN.  
 2.2 ATTACH PANEL (A) TO ASSEMBLED UNIT WITH SCREW (1) USING SCREWDRIVER.



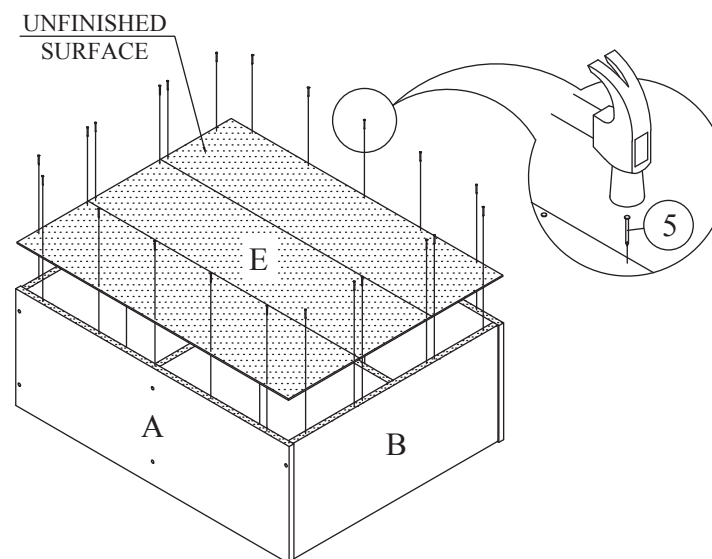
**STEP 3**  
 3.1 ATTACH PANEL (D) TO ASSEMBLED UNIT AS SHOWN.  
 3.2 FOLLOWED BY PANEL (B).



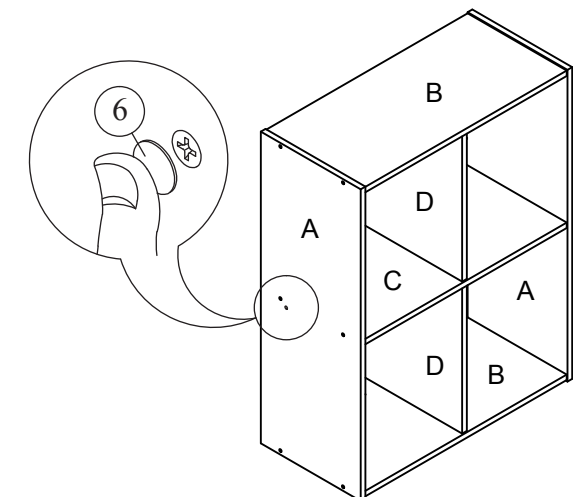
**STEP 4.**  
 4.1 INSERT SCREW (1) INTO PRE-DRILLED HOLES ON PANEL (B) TIGHTEN USING SCREWDRIVER, AS SHOWN.



**STEP 5.**  
 5.1 ATTACH PANEL (E) TO ASSEMBLED UNIT.  
 5.2 TIGHTEN IT WITH POWER PIN (5) USING HAMMER, AS SHOWN.



**STEP 6.**  
 6.1 COVER THE SCREW WITH STICKER (6).  
 6.3 COMPLETE.

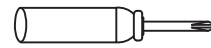


ANTES DE EMPEZAR, POR FAVOR LEER LAS INSTRUCCIONES DE ARMADO. SEGUIRLAS PASO A PASO.

**PRECAUCIÓN:**

1. SUPERVISIÓN ADULTA SE REQUIERE POR PIEZAS PEQUEÑAS. TENGA CUIDADO AL DESEMBALAJE Y MONTAJE DEL PRODUCTO.
2. ASSEMBLE EN UNA SUPERFICIE SUAVE PARA EVITAR DAÑAR EL ACABADO DEL PRODUCTO.
3. ASEGÚRESE DE QUE ESTÉN TODAS LAS PIEZAS ANTES DEL MONTAJE.

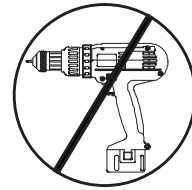
**HERRAMIENTAS PARA EL MONTAJE**



DESTORNILLADOR



MARTILLO



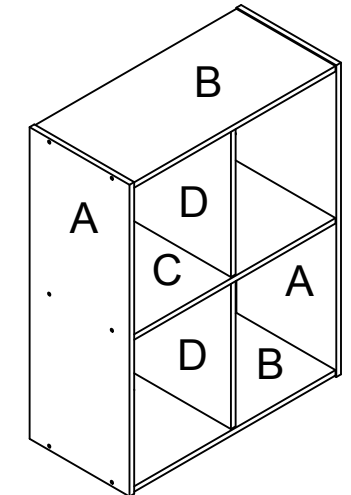
Do you have any questions? Missing small parts or hardware? If you need assistance with the assembly of your 4 CUBE ORGANIZER WITH 2 BINS please e-mail our Customer Service Department at: [support@fourstari.com](mailto:support@fourstari.com) or call us at (508) 473-7688, (800) 639-3803 or visit [www.fourstari.com](http://www.fourstari.com)

Please include the following information when contacting us:  
 • Where item was purchased  
 • Item, model, style or SKU number listed on instructions or box  
 • Part number, description of the part and quantity needed  
 This information will help us get the proper part to you faster.

**LISTA DE PIEZAS Y ACCESORIOS**

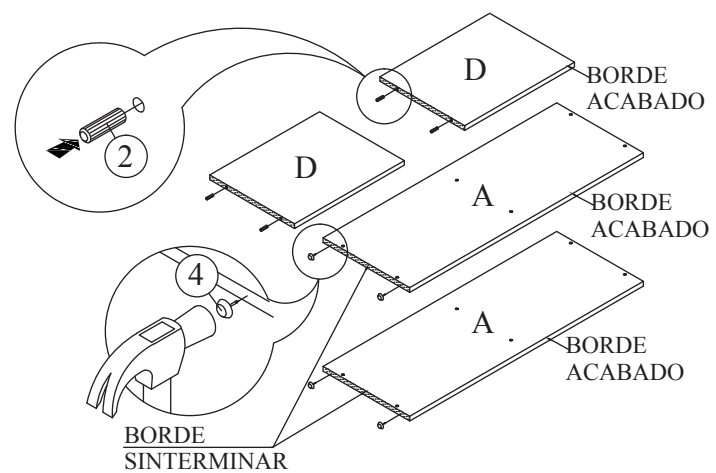
NO	HARDWARE LIST	QTY
1	TORNILLO	12 PCS
2	CLAVIJA CORTA	4 PCS
3	CLAVIJA LARGA	2 PCS
4	CLAVO CON PATA	4 PCS
5	CLAVO	22 PCS
6	ETIQUETA	12 PCS

NO	PARTS LIST	QTY
A	PANEL LATERAL	2 PC
B	PANEL SUPERIOR E INFERIOR	2 PC
C	PANEL CENTRAL	1 PC
D	PANEL LATERAL CENTRAL	2 PC
E	PANEL POSTERIOR	1 PCS

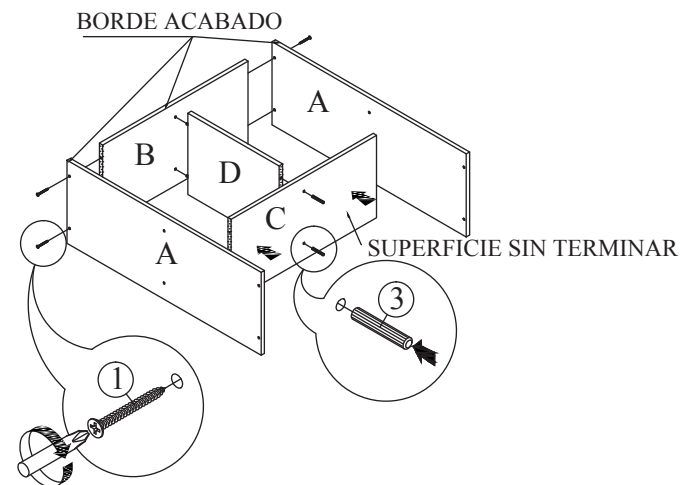


ASSEMBLY INSTRUCTIONS

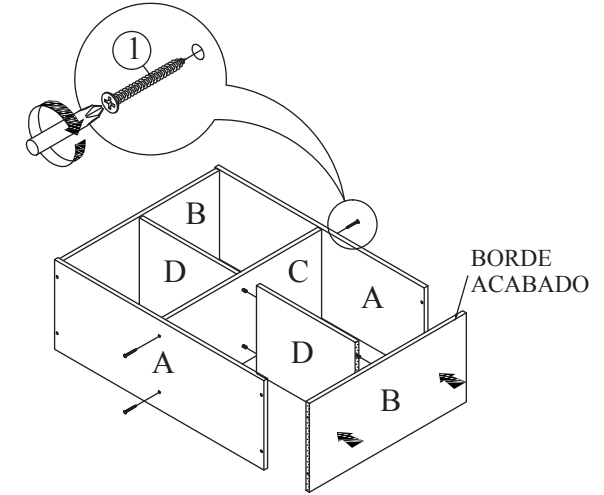
**PASO 1.**  
 1.1 INSTALAR CLAVIJAS (2) EN LOS AGUJEROS PERFORADOS DEL PANEL (D).  
 1.2 ADJUNTE LA PATA CON CLAVO (4) EN EL PANEL (A) CON UN MARTILLO COMO SE MUESTRA.



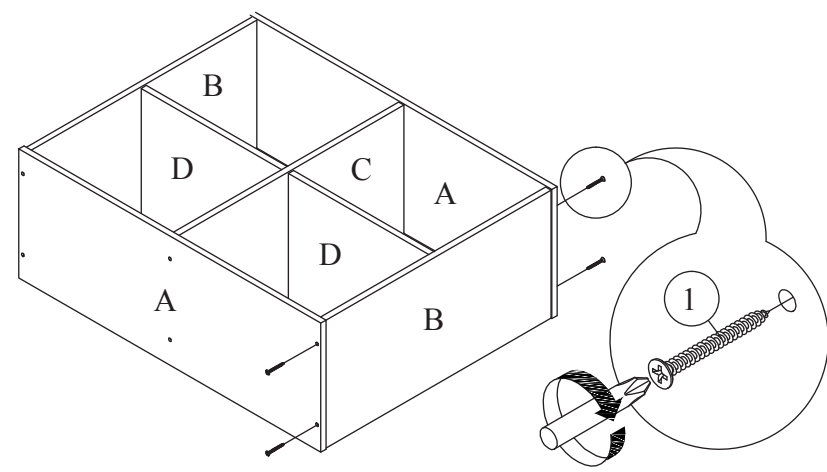
**PASO 2**  
 2.1 FIJE EL PANEL (B), (C) (D) Y (E) A LA UNIDAD ARMADA CON TORNILLO (1), COMO SE MUESTRA.  
 2.2 FIJE EL PANEL (A) A LA UNIDAD ARMADA CON TORNILLO (1) USANDO DESTORNILLADOR.



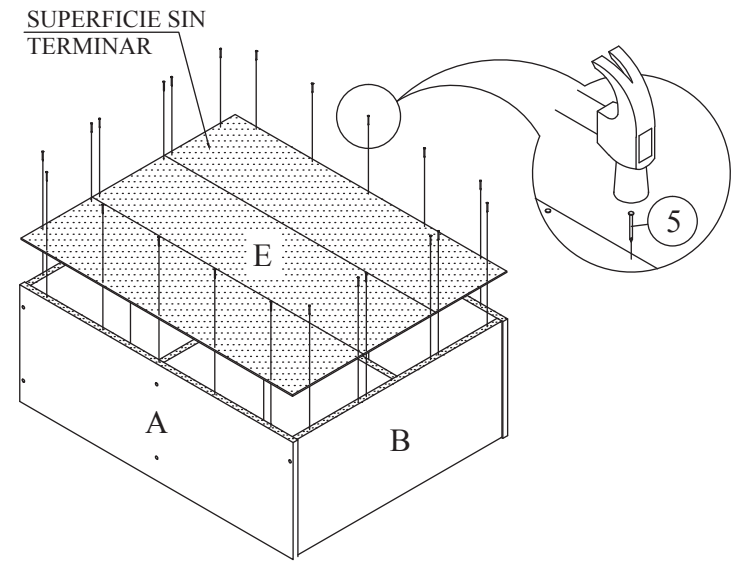
**PASO 3**  
 3.1 FIJE EL PANEL (D) A LA UNIDAD MONTADA COMO SE MUESTRA.  
 3.2 SEGUIDO DE PANEL (B).



**PASO 4.**  
 4.1 INSERTE EL TORNILLO (1) EN LOS AGUJEROS PREVIAMENTE PERFORADOS EN EL PANEL (B) USANDO EL DESTORNILLADOR, COMO SE MUESTRA.



**PASO 5.**  
 5.1 FIJE EL PANEL (E) A LA UNIDAD ARMADA.  
 5.2 AJUSTE CON CLAVOS (5) CON UN MARTILLO, COMO SE MUESTRA.



**PASO 6.**  
 6.1 CUBRIR LOS TORNILLOS CON ETIQUETAS (6).  
 6.3 COMPLETAR.

