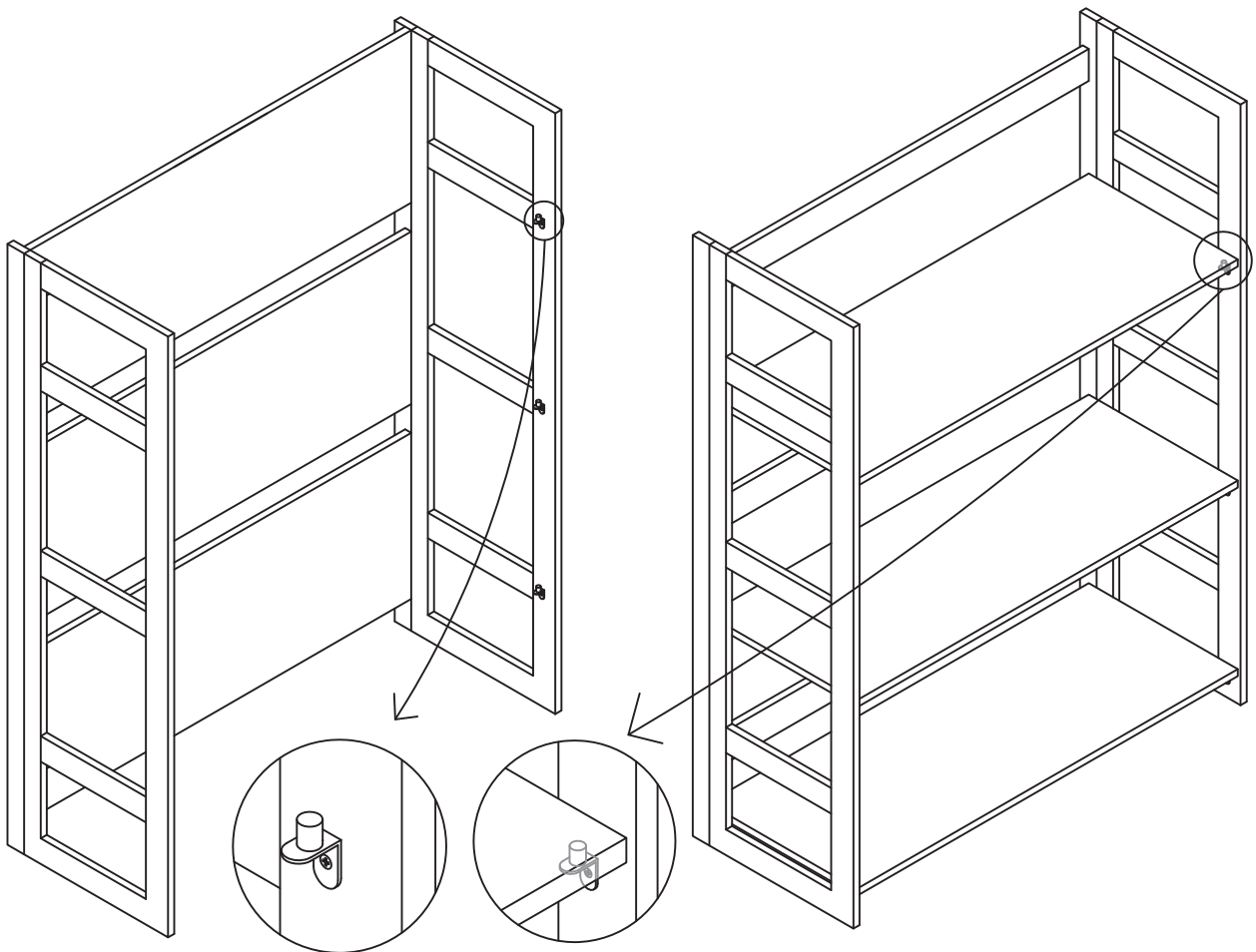


1. Unfold the sides of the bookcase.
1. Despliegue los lados de la estantería.



2. Rotate tabs so they are facing upwards.
2. Gire las lengüetas para que estén mirando hacia arriba.

3. Unfold shelves and insert tabs into holes in the shelves.
3. Despliegue estantes e inserte las lengüetas en los orificios de los estantes.



CUSTOMER	ITEM NO.	ITEM DESCRIPTION	A/W NO.	MDSER	DESIGNER	DATE
Fred's	11225571	11225571 folding bookcase		Terry	Gladys	2013 11/6

This proprietary artwork and concepts are copyright designs of Fourstar Group Inc. 2011. No part of this artwork may be reproduced or transmitted in any form without express written consent. © Fourstar Group Inc. All Rights Reserved.