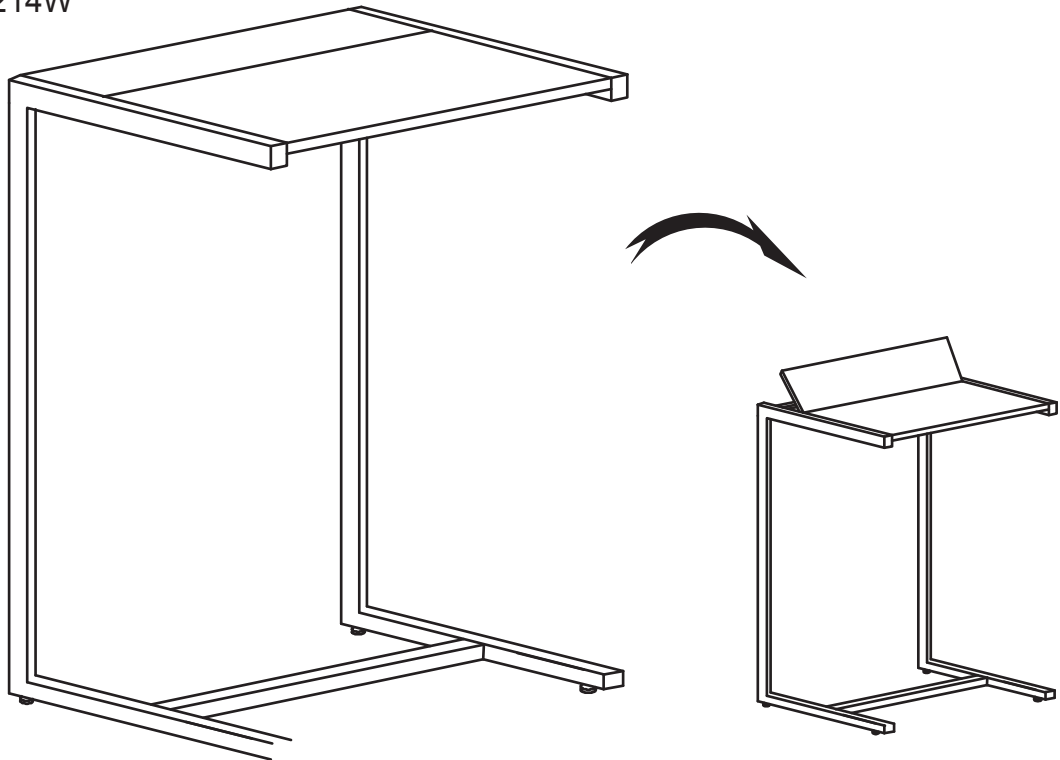




fourstargroup

ITEM: 11225214W

THIS INSTRUCTION BOOKLET CONTAINS **IMPORTANT** SAFETY INFORMATION. PLEASE READ AND KEEP FOR FUTURE REFERENCE. THIS INSTRUCTION MANUAL IS PRINTED ON RECYCLED PAPER USING EARTH FRIENDLY SOY BASED INK.



UPC#000000000 MODEL: 0000000

## SOFA TABLE WITH ELECTRONICS SHELF

**STOP** Do not return to the store

Do you have any questions? Missing small parts or hardware? If you need assistance with the assembly of your SOFA TABLE WITH ELECTRONICS SHELF please e-mail our Customer Service Department at: [support@fourstari.com](mailto:support@fourstari.com) or call us at 1-800-639-3803

Please let customer service know:

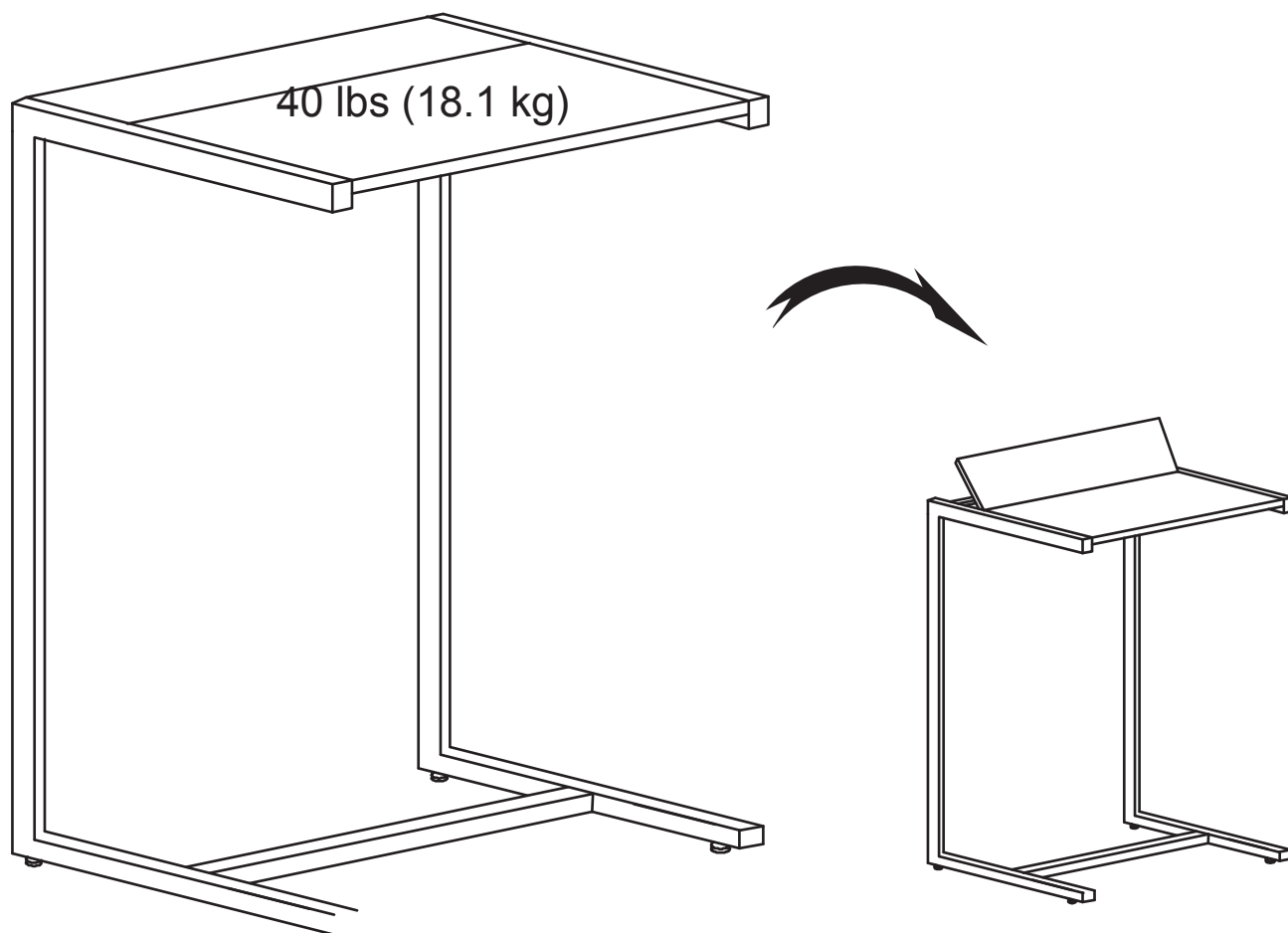
1. You purchased this item from Walmart
2. The item description is: Sofa Table With Electronics Shelf
3. The item number is 11225214W
4. The part number/letter and quantity needed

If you have this information ready, we will be able to process your request promptly. Thank you

LOT#0000-000000 DATE PURCHASED \_\_\_\_ / \_\_\_\_ / \_\_\_\_





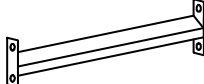

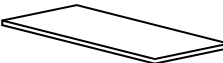
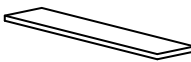

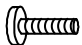

**CAUTION :**

1. Read this instruction manual and keep it for reference.
2. Assemble on soft surfaces to prevent damage to the product finish.
3. Call our toll-free customer service if needed.
4. It is recommended to have 2 people for assembly and don't tighten all bolts until finish the assembly.



# PARTS AND HARDWARE

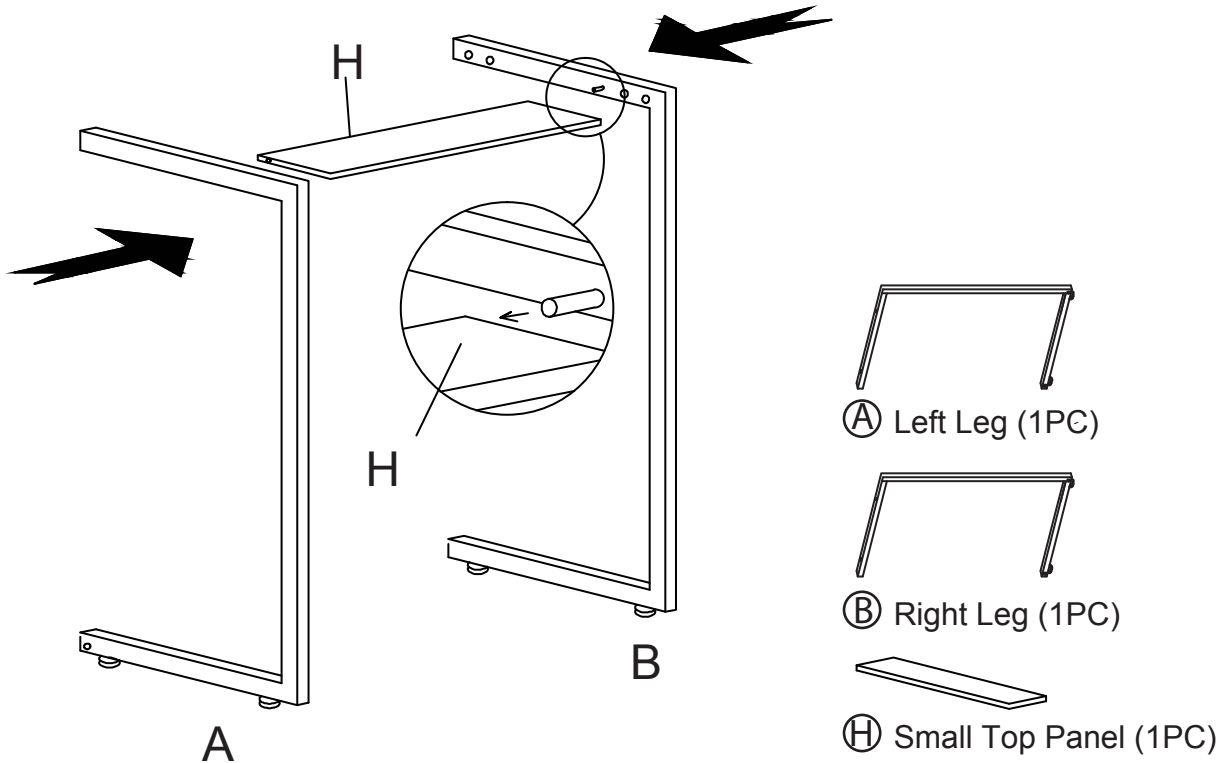
ENSURE THAT ALL PARTS AND COMPONENTS ARE LOCATED BEFORE BEGINNING ASSEMBLY.

	Part Name	Line-art Drawing	Size	Quantity	Finish
A	Left Leg		24.7 inches x 17 inches x 0.51 inches	1	Silver
B	Right Leg		24.7 inches x 17 inches x 0.51 inches	1	Silver
C	Front Connector Bar		13.8 inches x 0.51 inches x 0.51 inches	1	Silver
D	Back Connector Bar		13.8 inches x 0.51 inches x 0.51 inches	1	Silver
E	Bottom Connector Bar		13.8 inches x 0.51 inches x 2.5 inches	1	Silver
F	Top Support Bar		0.51 inches x 1 inch x 13.9 inches	1	Silver
G	Large Top Panel		13.9 inches x 11.1 inches x 0.47 inches	1	Black
H	Small Top Panel		13.8 inches x 5.7 inches x 0.47 inches	1	Black
I	Large Bolt		0.25 inches x 0.78 inches	4	Silver
J	Small Bolt		0.25 inches x 0.47 inches	14	Silver
K	Allen Wrench		17.78 inches x 6.35 inches x 1.27 inches	1	Silver

# ASSEMBLY INSTRUCTIONS

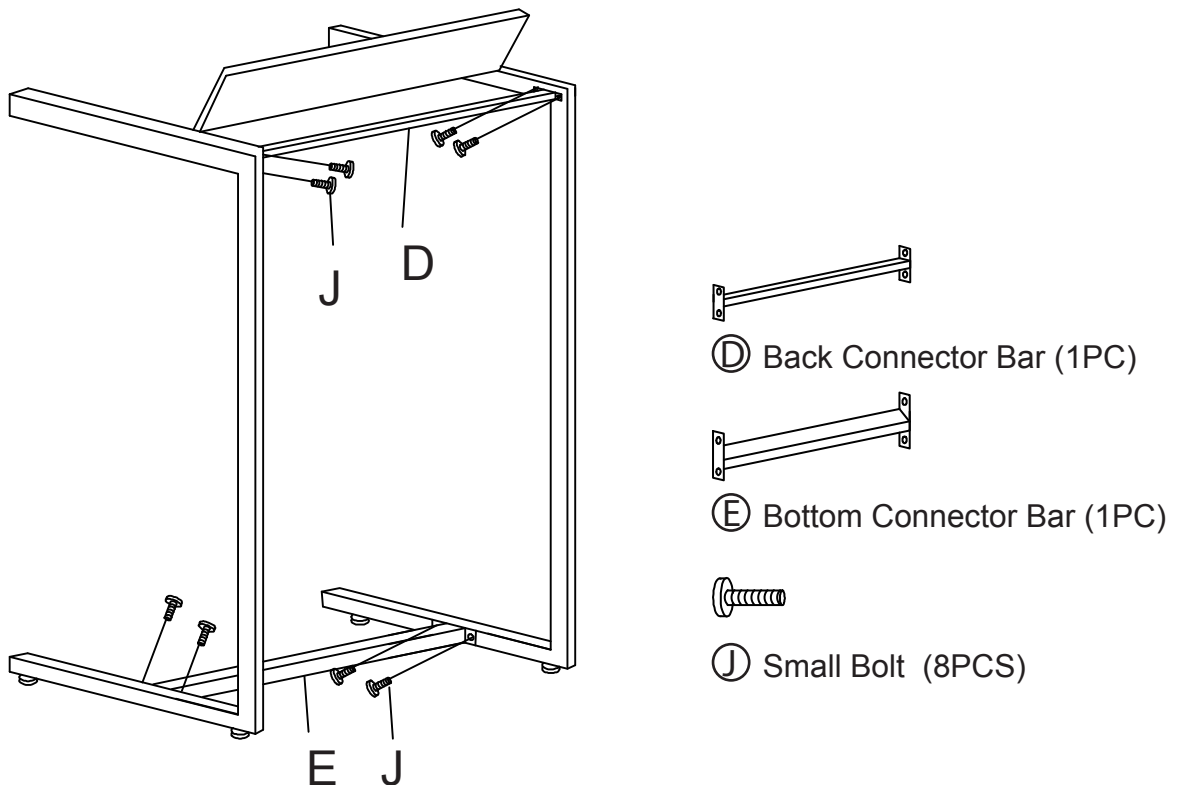
## Step 1

Attach small top panel (H) to left leg (A) and right leg (B) as shown.



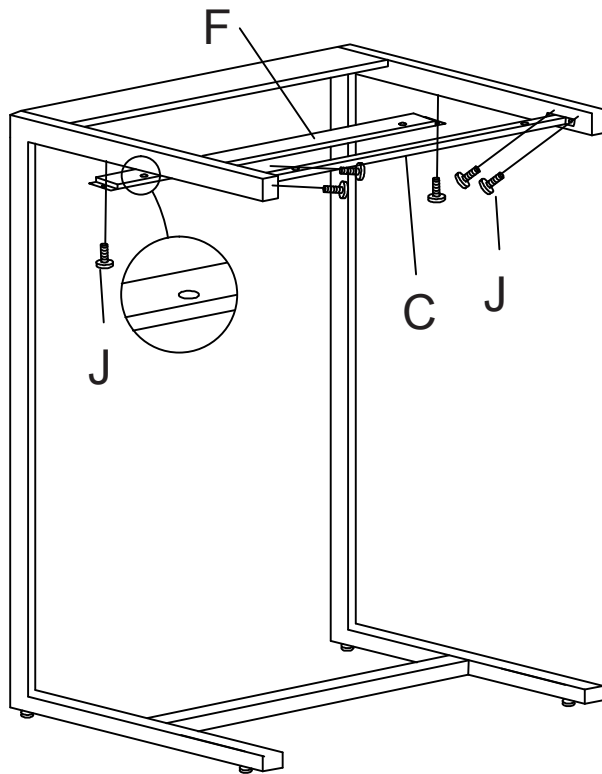
## Step 2

Attach back connector bar (D) and bottom connector bar (E) to left leg (A) and right leg (B) using small bolts (J) as shown.



### Step 3

Attach top support bar (F) and front connector bar (C) to left leg (A) and right leg (B) using small bolts (J) as shown.



Ⓒ Front Connector Bar (1PC)



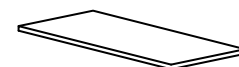
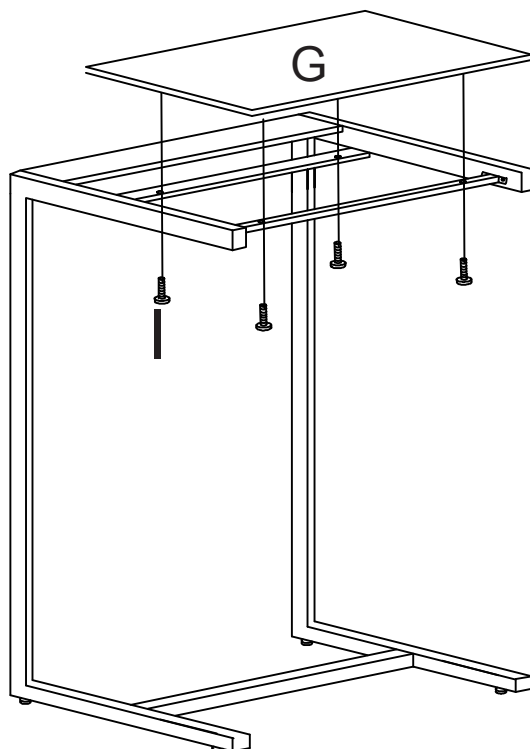
Ⓕ Top Support Bar (1PC)



Ⓙ Small Bolt (8PCS)

### Step 4

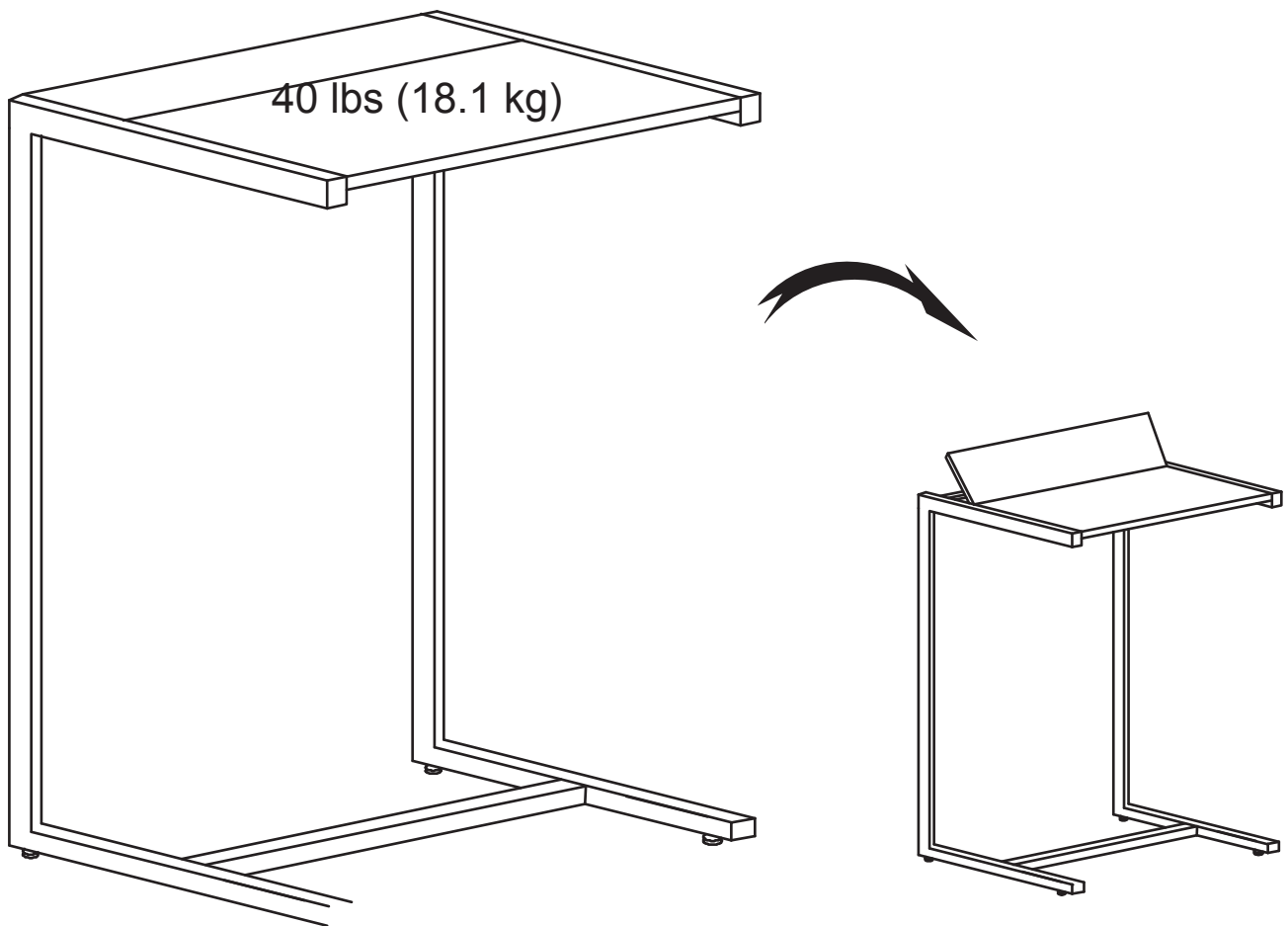
Attach large top panel (G) onto the finished frame (step 3) using large bolts (I) as shown.



Ⓖ Large Top Panel (1PC)



Ⓛ Large Bolt (4PCS)



### **WARNING!!!**

**THIS UNIT IS INTENDED FOR USE ONLY WITH THE PRODUCTS AND MAXIMUM WEIGHTS INDICATED. USE WITH OTHER PRODUCTS OR PRODUCTS HEAVIER THAN THE MAXIMUM WEIGHTS INDICATED MAY RESULT IN INSTABILITY CAUSING POSSIBLE INJURY. FURNITURE CAN TIP OVER OR BREAK IF IMPROPERLY MOVED. HAVE A FRIEND HELP TO LIFT AND CARRY THE UNIT TO IT'S NEW LOCATION.**



**Do not return to the store**

Do you have any questions? Missing small parts or hardware? If you need assistance with the assembly of your SOFA TABLE WITH ELECTRONICS SHELF please e-mail our Customer Service Department at: [support@fourstari.com](mailto:support@fourstari.com) or call us at 1-800-639-3803

# STOP!

**Missing Small Parts Or Hardware  
Or Need Assistance?**

**No Need To Go Back To The Store!**

The store where you made your purchase does not stock hardware for this item. If you need hardware or small parts, contact Customer Service. We will happily ship your part free of charge within 48 hours of your request.

**Please provide the following information:**

- Name of the store purchased from.
  - Date of purchase.
- Item, model, style or SKU number listed on the instructions or box.
- Description of the actual item in question.
  - Part number, description of the part and quantity needed.

**This information will help use  
fulfill your request efficiently.**

**Contact Customer Service:**

Email us at [support@fourstari.com](mailto:support@fourstari.com) or visit  
[www.fourstari.com](http://www.fourstari.com)

**Or Call Us At 800-639-3803**

**Hours Of Operation are:**

**Monday – Friday, 9:00AM – 5:00PM Eastern**