



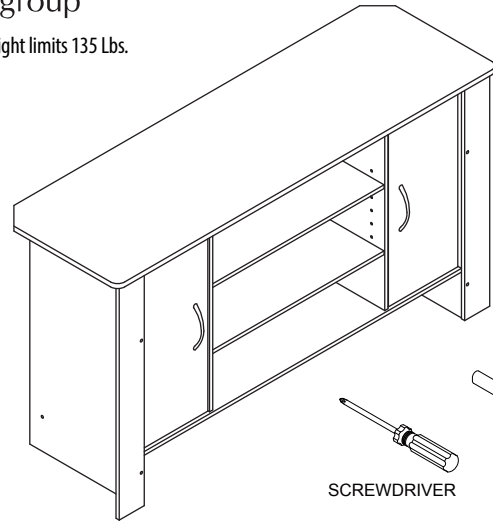
fourstargroup

MODEL: 11224984E

HIGH BOY ENTERTAINMENT CENTER

Total maximum weight limits 135 Lbs.

- Inclde:
- Top panel 35 Lbs
- Middle shelf 20 Lbs x 3 = 60 Lbs
- Side door shelf 20 Lbs x 2 = 40 Lbs



SCREWDRIVER

HAMMER

BEFORE YOU BEGIN, PLEASE READ ASSEMBLY INSTRUCTIONS CAREFULLY. FOLLOW THEM STEP BY STEP.

CAUTION:

- ADULT SUPERVISION IS REQUIRED DUE TO SMALL PARTS. CARE SHOULD BE TAKEN IN THE UNPACKING AND ASSEMBLY OF THE PRODUCT.
- ASSEMBLE ON SOFT SURFACES TO PREVENT DAMAGE TO THE PRODUCT FINISH.
- MAKE SURE ALL PARTS ARE INCLUDED BEFORE ASSEMBLY.
- PLACE ENTERTAINMENT CENTER ON FLAT, LEVEL SURFACE. ENTERTAINMENT CENTER WILL NOT BE STABLE ON HIGH PILE CARPETING OR OUT OF LEVEL SURFACES. NOT FOR USE ON HIGH PILE CARPETING OR OTHER SIMILAR SURFACES.
- SHOULD YOU HAVE REASON FOR CONCERN FOR STABILITY AND SECURITY, TIPPING OR KNOCKING OF THE TELEVISION DUE TO, BUT NOT LIMITED TO, SMALL CHILDREN, PETS OR LOCATION, PLEASE TETHER TELEVISION TO THE WALL TO PREVENT IT FROM TIPPING. TETHER NOT INCLUDED, REFER TO TELEVISION USER'S MANUAL OR AFTER MARKET ACCESSORY DEALERS.
- NOT FOR USE WITH TUBE STYLE, CRT TELEVISIONS. WEIGHT LIMIT 135 LBS.

Do you have any questions? Missing small parts or hardware? If you need assistance with the assembly of your HIGH BOY ENTERTAINMENT CENTER please e-mail our Customer Service Department at: support@fourstari.com or call us at (800) 639-3803 or visit www.fourstari.com

Please include the following information when contacting us:

- Where item was purchased
 - Item, model, style or SKU number listed on instructions or box
 - Part number, description of the part and quantity needed
- This information will help us get the proper part to you faster.

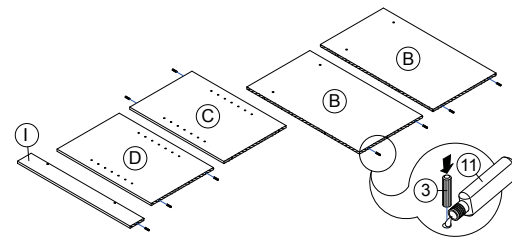
PARTS LIST AND HARDWARE

NO	PARTS LIST	QTY
A	TOP PANEL	1pc
B	SIDE PANEL	2pcs
C	CENTER LEFT PANEL	1pc
D	CENTER RIGHT PANEL	1pc
E	SHELF PANEL	2pcs
F	BOTTOM PANEL	1pc
G	LEFT DOOR PANEL	1pc
H	RIGHT DOOR PANEL	1pc
I	FRONT PANEL	2pc
J	BACK PANEL	2pcs
K	LEG PANEL	1pc

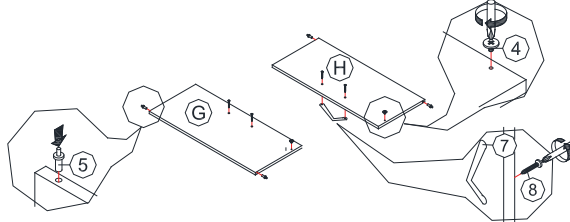
NO	HARDWARE LIST	QTY
1	C/B SCREW M4x32mm	14pcs
2	DOWEL M5x20mm	10pcs
3	MAGNETIC CATCHES	2pcs
4	TAPPING SCREW M5x8mm	2pcs
5	(SPRING) DOOR HOLDER	4pcs
6	SHELF SUPPORT	8pcs
7	HANDLE (MOON)	2pcs
8	P/H SCREW M3.6x15mm	4pcs
9	NAIL LEG	7pcs
10	POWER PIN	16pcs
11	GLUE	1pc

ASSEMBLY INSTRUCTIONS

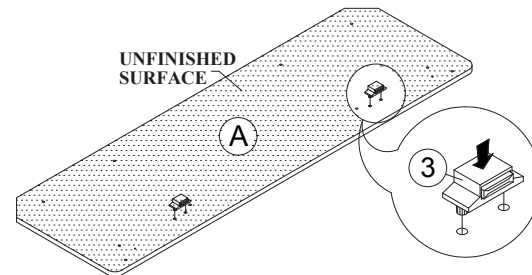
STEP 1
INSTALL DOWELS (2) INTO PANELS (B) (C) (D) & (I) USING GLUE (11), AS SHOWN.



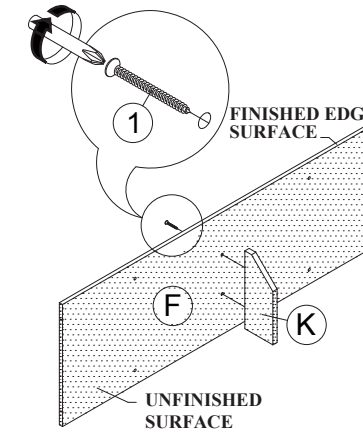
STEP 2
- INSTALL DOOR HOLDERS (5) INTO DOOR PANELS (G) & (H), AS SHOWN.
- INSTALL SCREW (4) TO DOOR PANELS (G) & (H), AS SHOWN.
- INSTALL HANDLE (7) TO DOOR PANELS (G) & (H) USING SCREW (8), AS SHOWN.



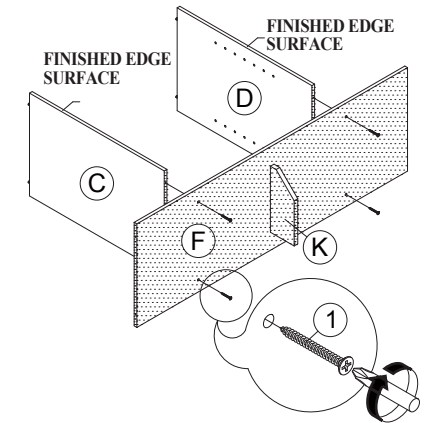
STEP 3
INSTALL MAGNETIC CATCHES (3) TO TOP PANEL (A), AS SHOWN.



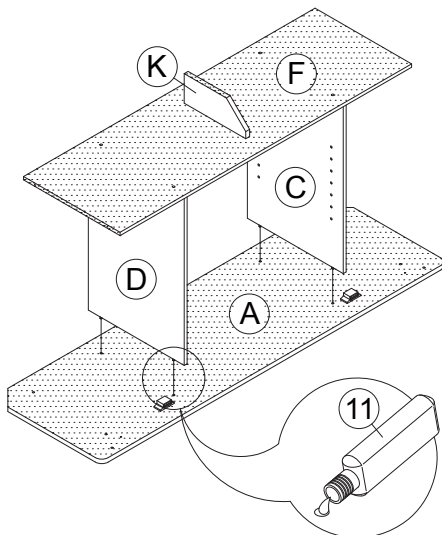
STEP 4
ATTACH LEG PANEL (K) TO BOTTOM PANEL (F) USING SCREWS (1), AS SHOWN.



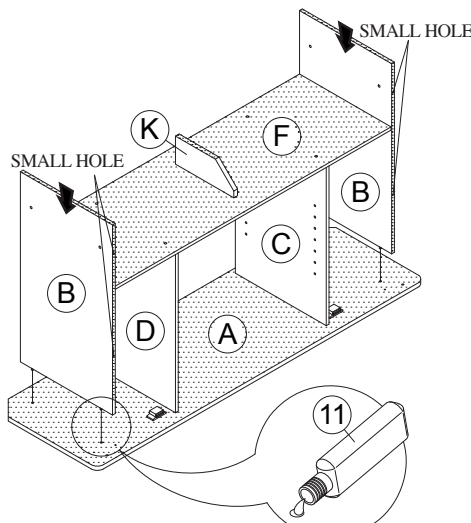
STEP 5
ATTACH PANELS (C) & (D) TO BOTTOM PANEL (F) USING SCREW (1), AS SHOWN.



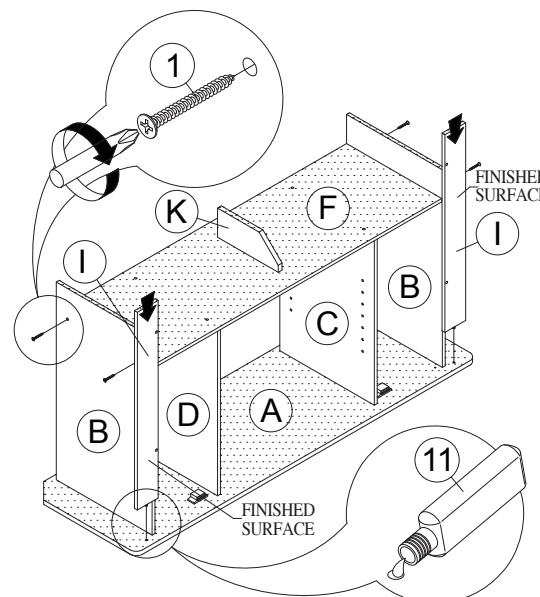
STEP 6
ATTACH ASSEMBLED UNIT TO TOP PANEL (A) USING GLUE (11), AS SHOWN.



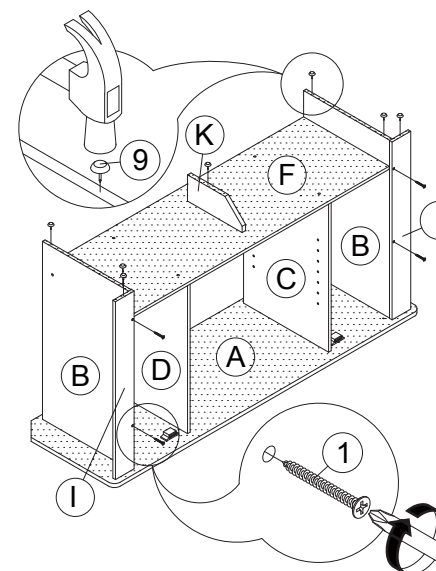
STEP 7
- ATTACH SIDE PANELS (B) TO TOP PANEL (A) USING GLUE (11), AS SHOWN.
CAUTION: PANEL (B) SMALL HOLES OUTWARD



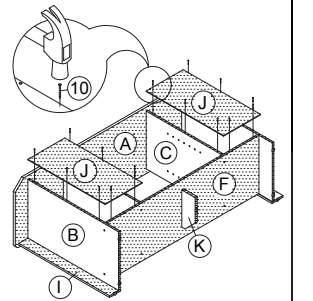
STEP 8
- ATTACH SIDE PANELS (B) TO BOTTOM PANEL (F) USING SCREWS (1), AS SHOWN.
- ATTACH PANELS (I) TO TOP PANEL (A) USING GLUE (11), AS SHOWN.



STEP 9
- ATTACH PANELS (I) TO SIDE PANELS (B) USING SCREW (1), AS SHOWN.
- INSTALL NAIL LEGS (9) TO PANELS (B) (I) & (K), AS SHOWN.



STEP 10
- ATTACH BACK PANELS (J) TO THE BACK POSITION OF ASSEMBLED UNIT USING POWER PIN (10), AS SHOWN.



STEP 11
- ATTACH DOOR PANELS (G) & (H) TO PANEL (A) & (F), MAKE SURE DOOR HOLDERS (5) INTO THE HOLE, AS SHOWN.
- INSTALL SHELF SUPPORTS (6) TO PANELS (C) & (D). MAKE SURE LEFT AND RIGHT HOLE AT THE SAME LINE, ATTACH SHELF PANELS (E) ON THE SHELF SUPPORT(6) AS SHOWN.

CAUTION: MAXIMUM LOADING CAPACITY IS 135 LBS.
DO NOT SIT, STAND, LEAN, WALK CLIMB OR JUMP ON FURNITURE! FAILURE TO COMPLY WITH THIS CAUTION COULD RESULT IN PERSONAL INJURY AND/OR PROPERTY DAMAGE!

This unit is intended for use only with the products and maximum weights indicated. Use with other products or products heavier than the maximum weights indicated may result in instability causing possible injury. Furniture can tip over or break if improperly moved. Have a friend help to lift and carry the unit to it's new location.

