



**MODEL: 11224605**  
**ENTERTAINMENT CENTER**

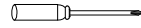
BEFORE YOU BEGIN, PLEASE READ ASSEMBLY INSTRUCTIONS CAREFULLY. FOLLOW THEM STEP BY STEP.

**CAUTION:**

1. ADULT SUPERVISION IS REQUIRED DUE TO SMALL PARTS. CARE SHOULD BE TAKEN IN THE UNPACKING AND ASSEMBLY OF THE PRODUCT.
2. ASSEMBLE ON SOFT SURFACES TO PREVENT DAMAGE TO THE PRODUCT FINISH.
3. MAKE SURE ALL PARTS ARE INCLUDED BEFORE ASSEMBLY.

**ASSEMBLY TOOLS REQUIRED**

SCREWDRIVER



RUBBER Mallet

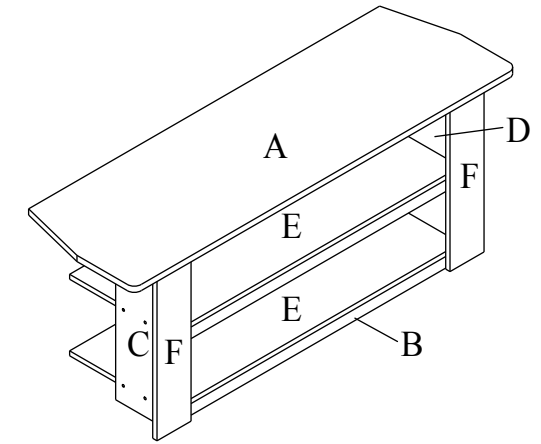


Do you have any questions? Missing small parts or hardware? If you need assistance with the assembly of your ENTERTAINMENT CENTER please e-mail our Customer Service Department at: [support@fourstari.com](mailto:support@fourstari.com) or call us at (800) 639-3803 or (508) 473-7688 if calling locally from Massachusetts area

Please include the following information in your email:  
• Where item was purchased • Item, model, style or SKU number listed on instructions or box • Part number, description of the part and quantity needed  
This information will help us get the proper part to you faster

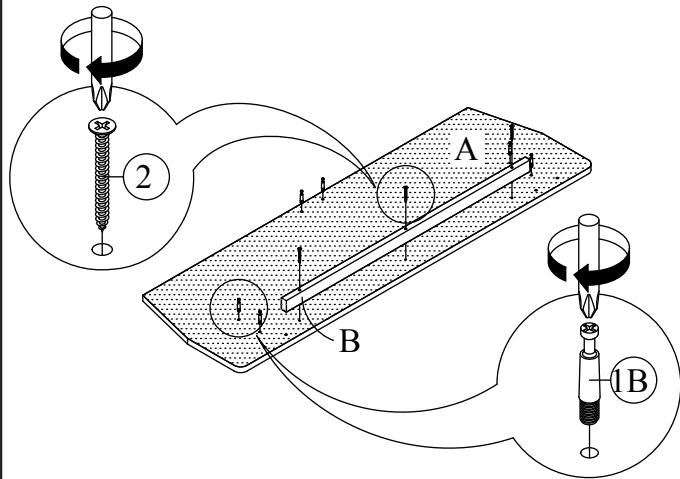
**PARTS AND HARDWARE LIST**

NO	PARTS LIST	QTY	NO	HARDWARE LIST	QTY
A	TOP PANEL	1 PC	1	MINI FIT 1A  1B  1C	8 SETS
B	APRON PANEL	3 PCS	2	M4 x 38MM C/B SCREW(BLACK)	21 PCS
C	LEFT SIDE PANEL	1 PC	3	M6 x 20MM PLASTIC DOWEL	10 PCS
D	RIGHT SIDE PANEL	1 PC	4	827 PE NAIL WITH PIN	8 PCS
E	SHELF PANEL	2 PCS	5	PE SCREW CAP COVER(BLACK)	12 PCS
F	FRONT PANEL	2 PCS			
G	BACK PANEL	1 PC			

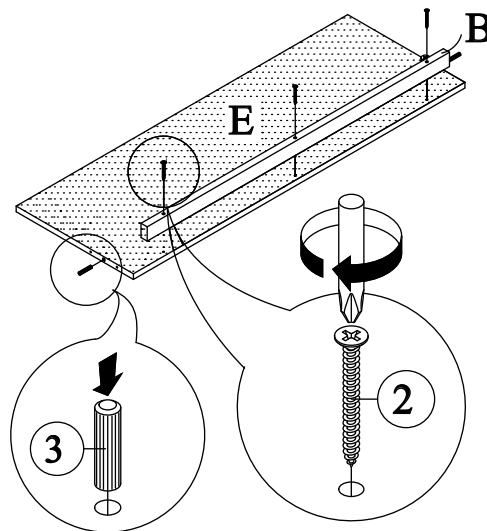


ASSEMBLY INSTRUCTIONS

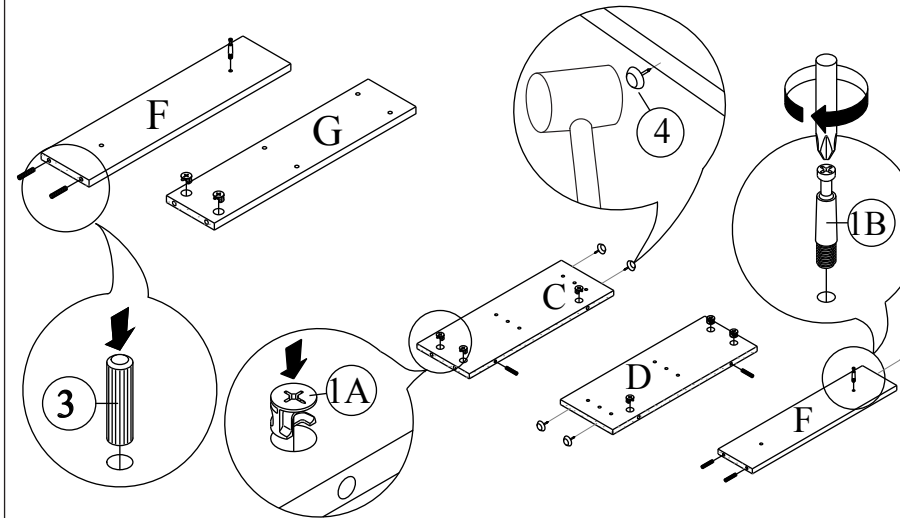
**STEP 1**  
ATTACH APRON PANEL (B) TO PANEL (A) WITH SCREW (2) AND INSTALL MINI FIT (1B) TO PANEL (A) BY USING SCREWDRIVER AS SHOWN.



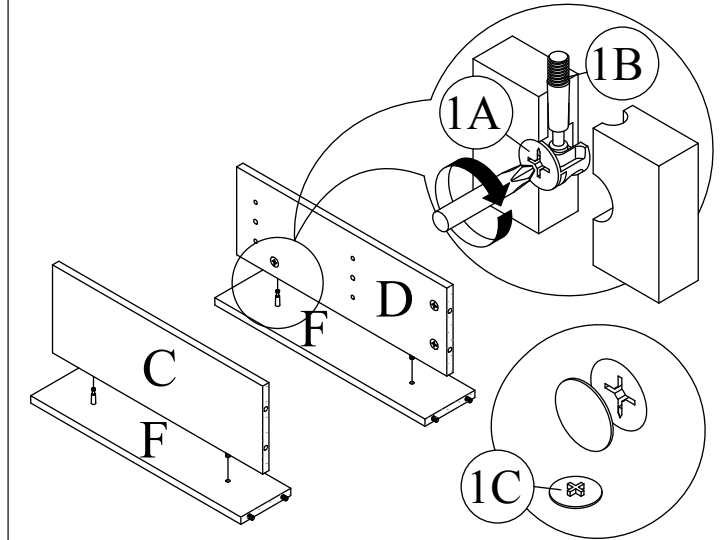
**STEP 2**  
ATTACH APRON PANEL (B) TO PANEL (E) WITH SCREW (2) AND INSTALL PLASTIC DOWEL (3) TO PANEL (E).



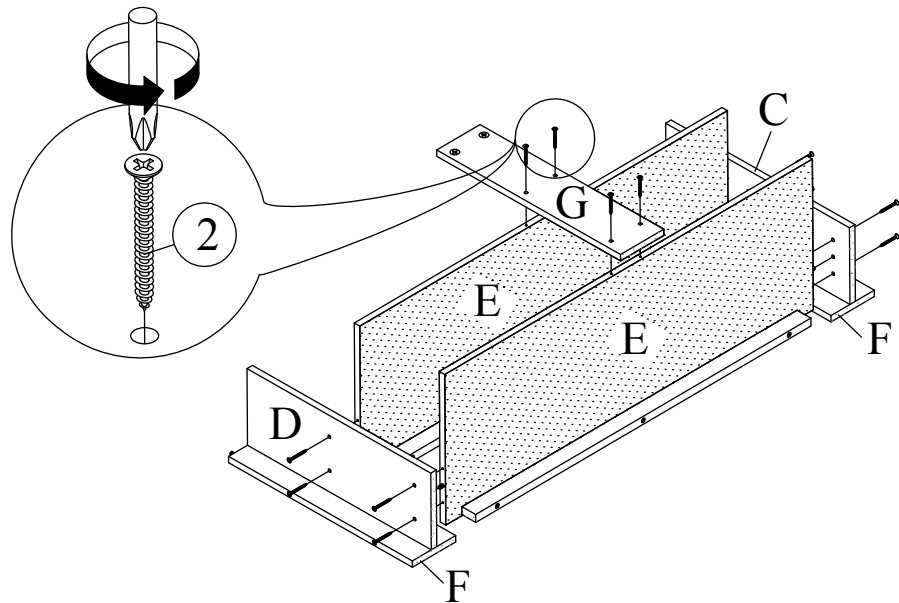
**STEP 3**  
INSTALL MINI FIT (1A) TO PANEL (C) (D) AND (G), INSTALL MINI FIT (1B) TO PANEL (F), INSTALL PLASTIC DOWEL (1A) TO PANEL (C) (D) AND (F) AS SHOWN. ATTACH NAIL WITH PIN (4) TO PANEL (C) (D) & (F).



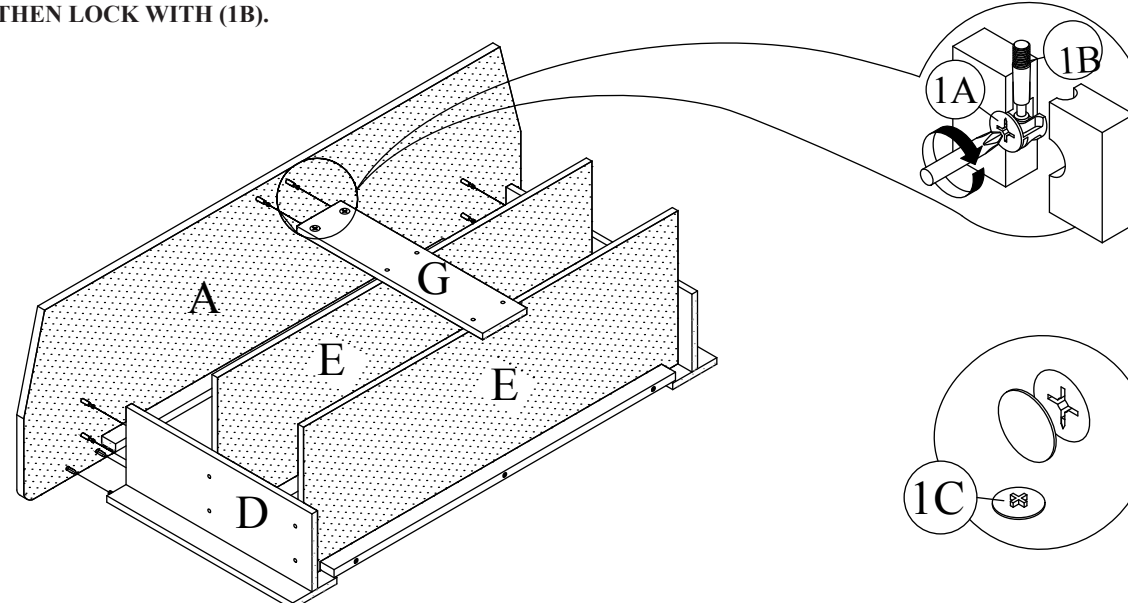
**STEP 4**  
ATTACHED PANEL (C) AND (D) TO PANEL (F), TURN RIGHT THE MINI FIT (1A) ON PANEL (F) THEN LOCK WITH (1B) ON PANEL (C) (D).



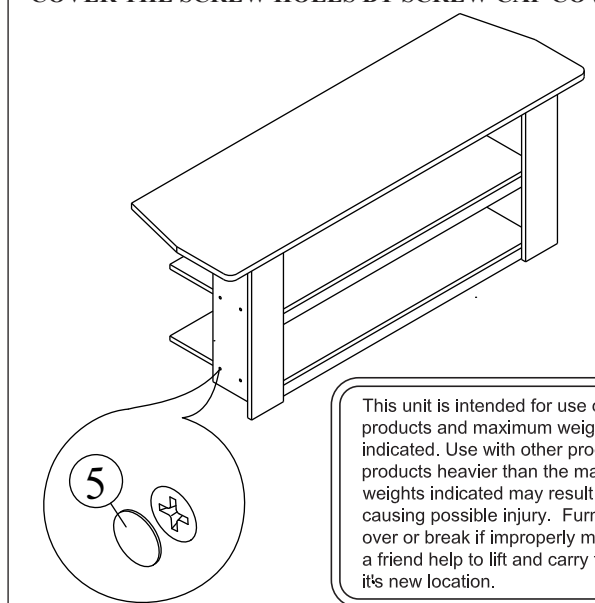
**STEP 5**  
ATTACH ASSEMBLED PARTS & PANEL (G) WITH SCREW (2) AS SHOWN.



**STEP 6**  
ATTACH ASSEMBLED PART TO PANEL (A), TURN RIGHT THE MINI FIT (1A) THEN LOCK WITH (1B).



**STEP 7**  
COVER THE SCREW HOLES BY SCREW CAP COVER (5).



This unit is intended for use only with the products and maximum weights indicated. Use with other products or products heavier than the maximum weights indicated may result in instability causing possible injury. Furniture can tip over or break if improperly moved. Have a friend help to lift and carry the unit to its new location.