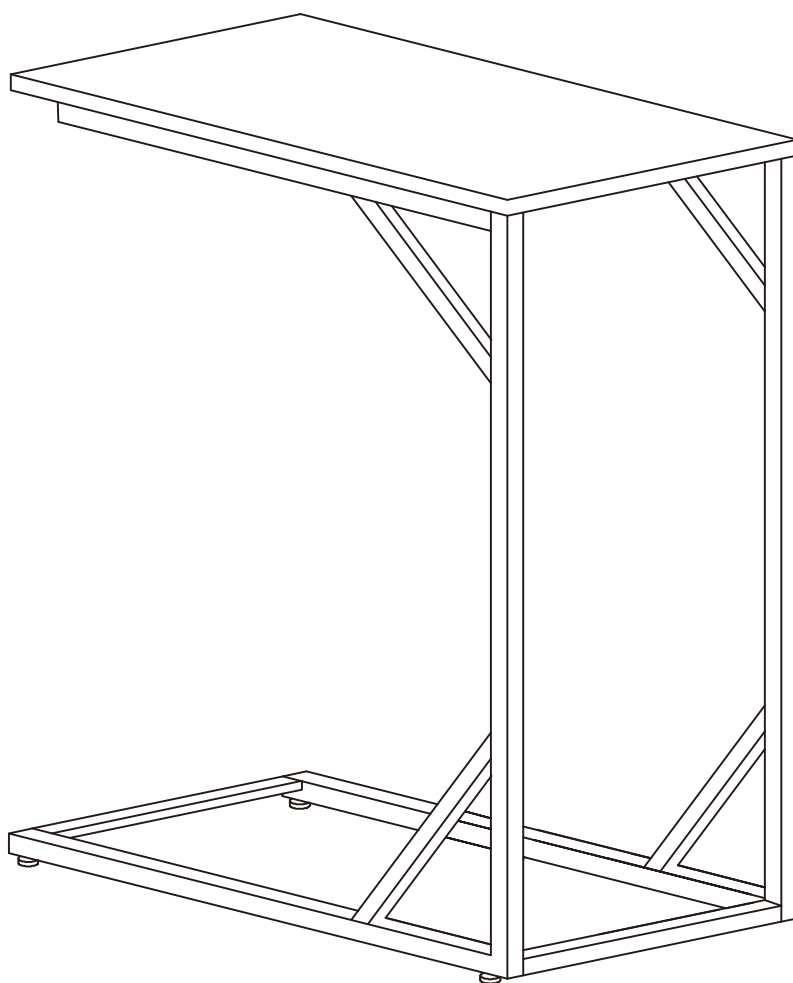







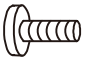
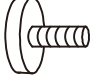

fourstargroup



MODEL: 11224575

SOFA SLIDE TABLE

PARTS LIST AND HARDWARE

NO	PARTS LIST		QTY
A		SIDE FRAME	2 PCS
B		BAR	2 PCS
C		TOP PANEL	1 PC
D		BOLT	8 PCS
E		GLIDE	4 PCS
F		ALLEN WRENCH	1 PC

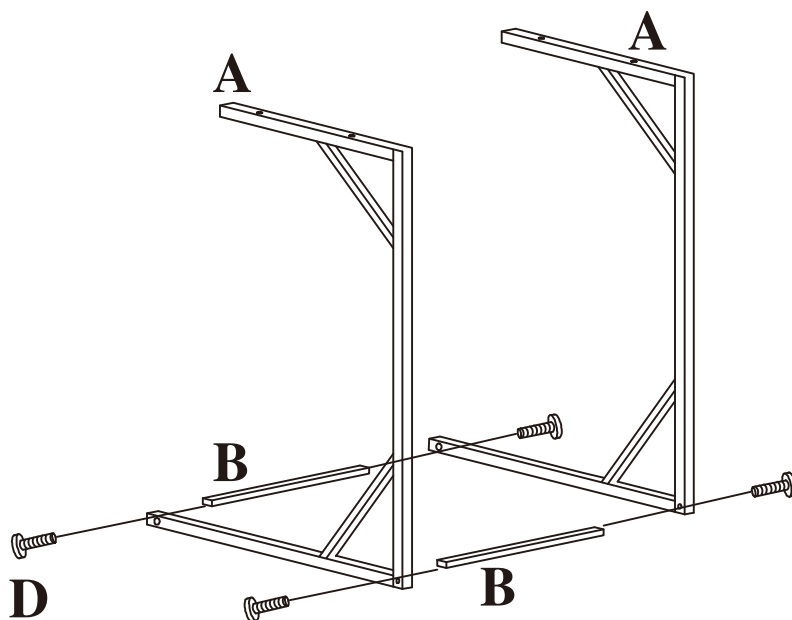
ASSEMBLY INSTRUCTIONS

CAUTION:

1. READ THIS INSTRUCTION MANUAL BEFORE ASSEMBLE.
2. ASSEMBLE ON SOFT SURFACE TO PREVENT DAMAGE TO THE PRODUCT FINISH.

STEP 1.

ATTACH BARS (B) TO SIDE FRAMES (A) USING BOLTS (D) WITH PROVIDED ALLEN WRENCH (F), DO NOT TIGHTEN THE BOLTS.



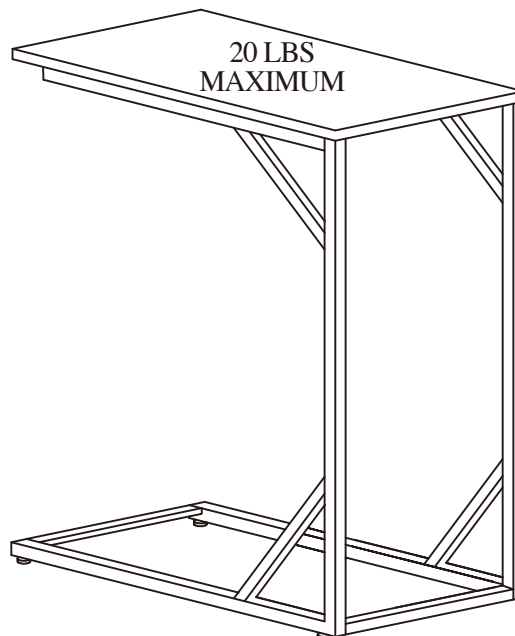
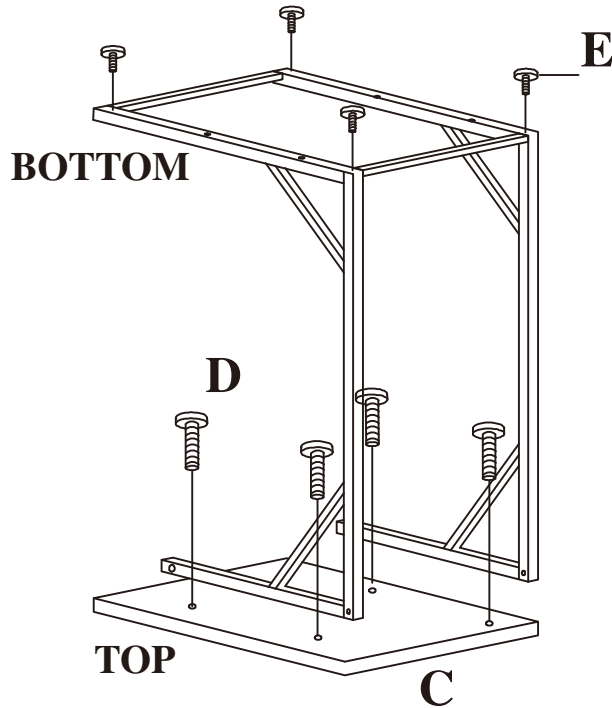
DON'T TIGHTEN ALL BOLTS.

STEP 2.

ATTACH TOP PANEL (C) TO STEP (1) FINISHED PART USING BOLTS (D) WITH PROVIDED ALLEN WRENCH (F).

TIGHTEN ALL BOLTS AT THIS TIME. THEN SCREW THE GLIDES (E) ONTO THE BOTTOM OF TABLE AS SHOW.

TIGHTEN ALL BOLTS.



Do you have any questions? Missing small parts or hardware?
If you need assistance with the assembly of your SOFA SLIDE TABLE
please e-mail our Customer Service Department at:
support@fourstari.com
or call us at (508) 473-7688 or (800) 639-3803

Please include the following information in your email:

- Where item was purchased
- Item, model, style or SKU number listed on instructions or box
- Part number, description of the part and quantity needed

This information will help us get the proper part to you faster