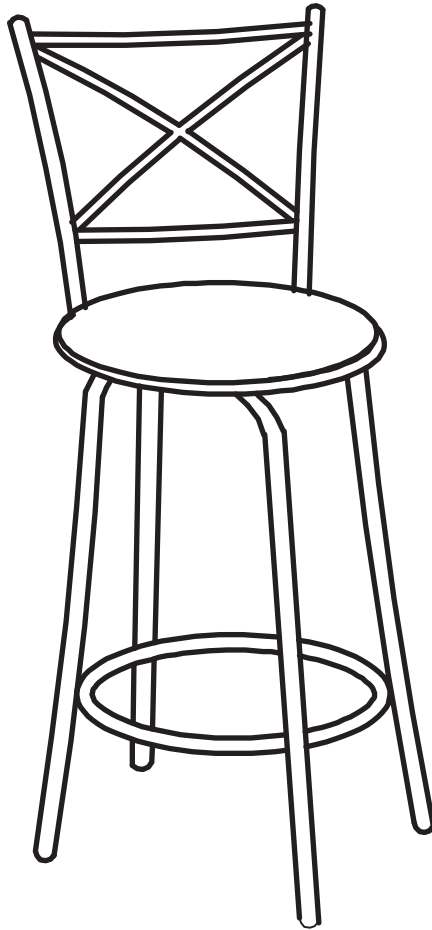


















fourstargroup



MODEL:11223176OL
SWIVEL BARSTOOL

PARTS AND HARDWARE

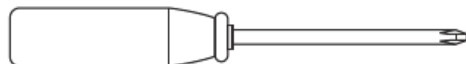
NO		HARDWARE LIST	QTY
A		BACK	1 PC
B		SEAT	1 PC
C		CIRCLE	1 PC
D		EXTEND LEG	4 PCS
E		LEG (ASCENDING)	1 PC
F		LEG (BELOW)	1PCS
G		CUSHION	1PC
H		SWIVEL TRAY	1PC
I	 BOH: 12MM	BOLT (12MM)	8PCS
J	 BOH: 25MM	BOLT (25MM)	6PCS
K	 	WASHER	2 SETS
L		SCREW	4PCS
M		ALLEN WRENCH	1PC

CAUTION:

READ THIS INSTRUCTION MANUAL BEFORE YOU ASSEMBLE.

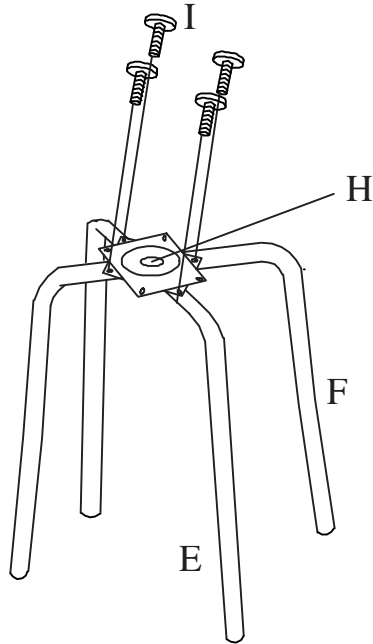
ASSEMBLY TOOL REQUESTED

PHILIPS SCREWDRIVER



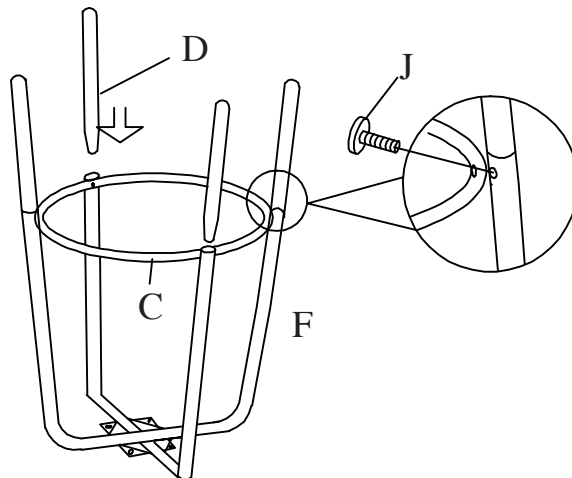
STEP 1.

FIX LEG (E) AND LEG(F) USING SWIVEL TRAY USING BOLTS (I) AS SHOWN.



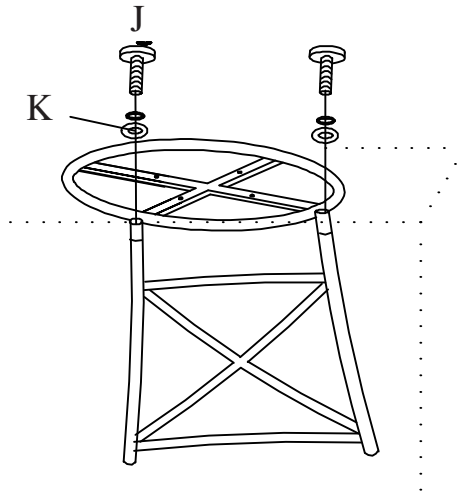
STEP 2.

ATTACH EXTEND LEGS (D) AND CIRCLE (C) ONTO STEP 1 FINISHED PART USING BOLTS (J) AS SHOWN.



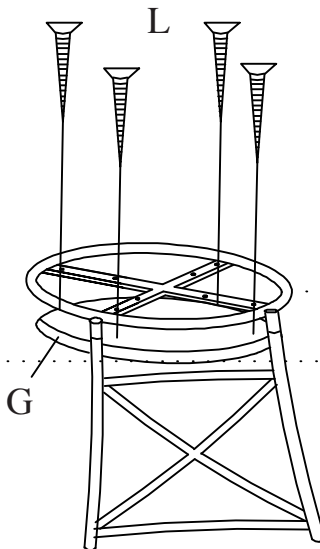
STEP 3.

ATTACH BACK(A) ONTO SEAT (B), THEN FIX WITH WASHERS (K) AND BOLTS (J) USING ALLEN WRENCH AS SHOWN.



STEP 4.

ATTACH CUSHION (G) TO STEP 3 FINISHED PART USING SCREWS (L) AS SHOWN.



STEP 5.

ATTACH STEP 2 FINISHED PART TO STEP 4 FINISHED PART
USING BOLTS (I) WITH PHILIPS SCREWDRIVER AS SHOWN.

