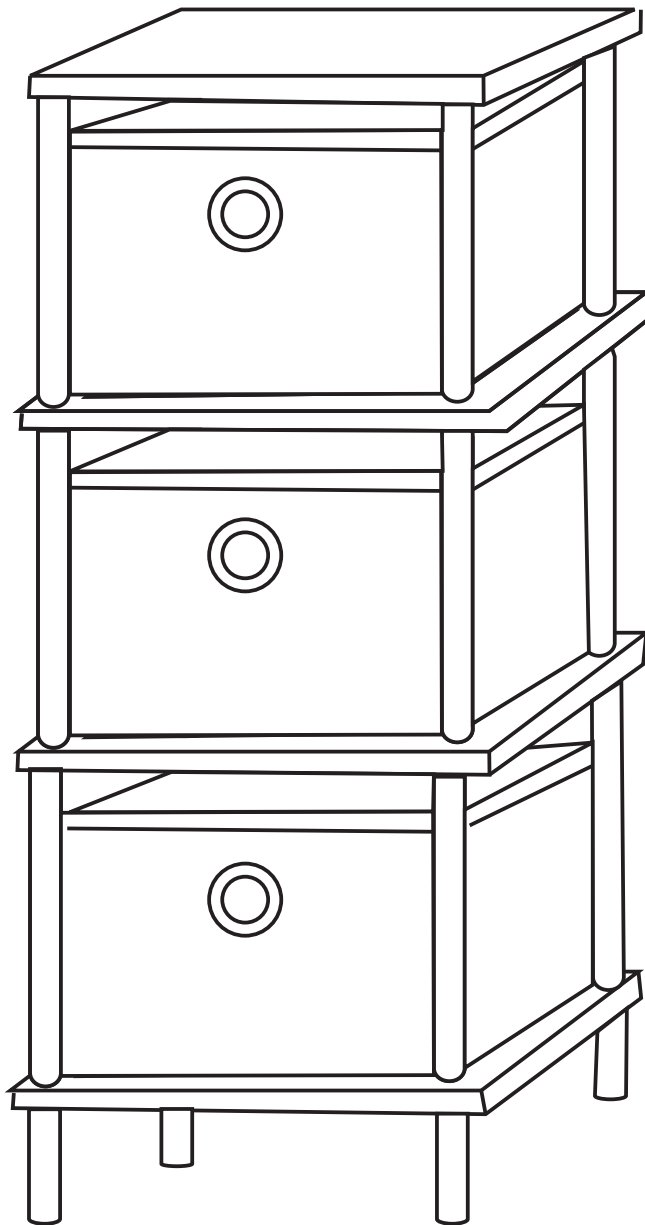




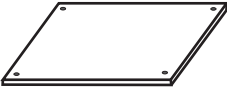
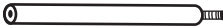
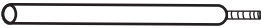


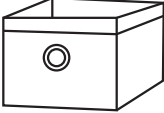
fourstargroup

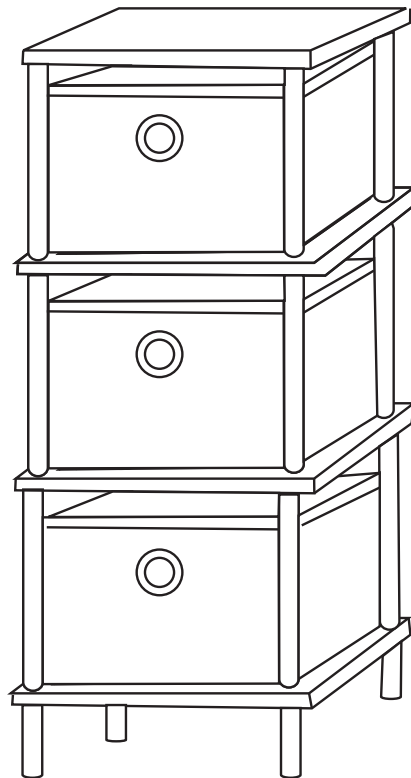


MODEL: 11223156

# WOODEN STORAGE ORGANIZER

# PARTS

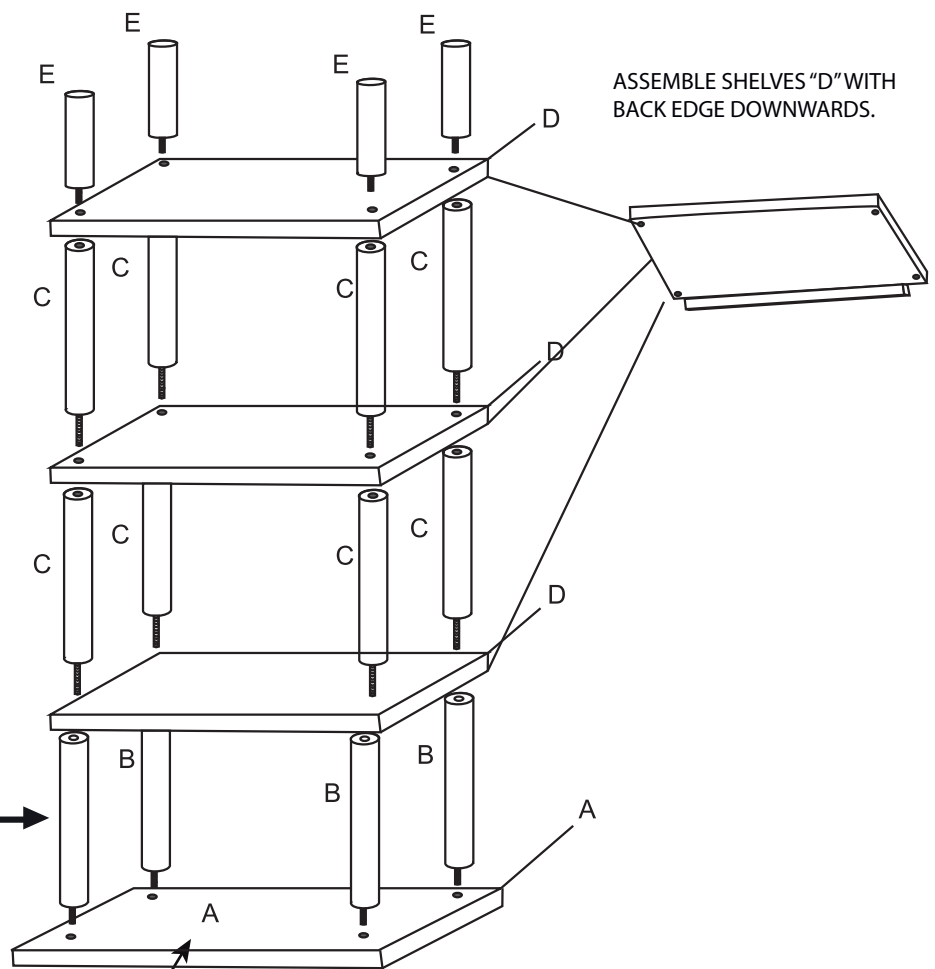
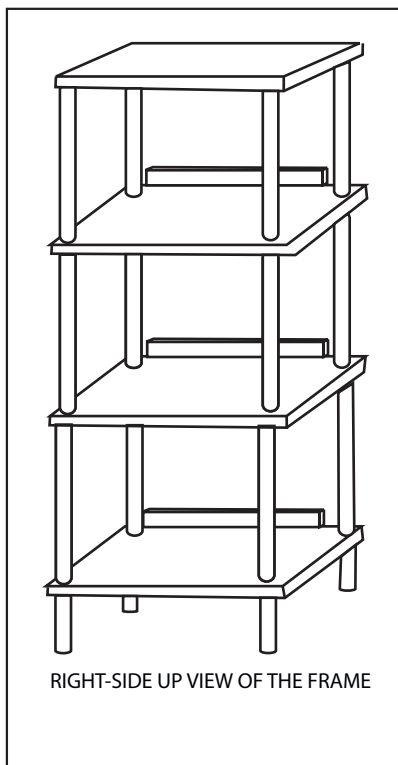
NO	HARDWARE & PART LIST	QTY
A	TOP PANEL  A rectangular panel with four corner slots.	1PC
B	TOP SPINDLE WITH SHORT BOLT  A long cylindrical spindle with a short bolt protruding from one end.	4PCS
C	MIDDLE SPINDLE WITH LONG BOLT  A long cylindrical spindle with a long bolt protruding from one end.	8PCS
D	SHELF  A rectangular panel with a central slot.	3PCS
E	FOOT SPINDLE WITH BOLT  A short cylindrical spindle with a bolt protruding from one end.	4PCS
F	BIN  A rectangular bin with a circular handle on the front.	3PCS



# ASSEMBLY INSTRUCTIONS

## STEP 1.

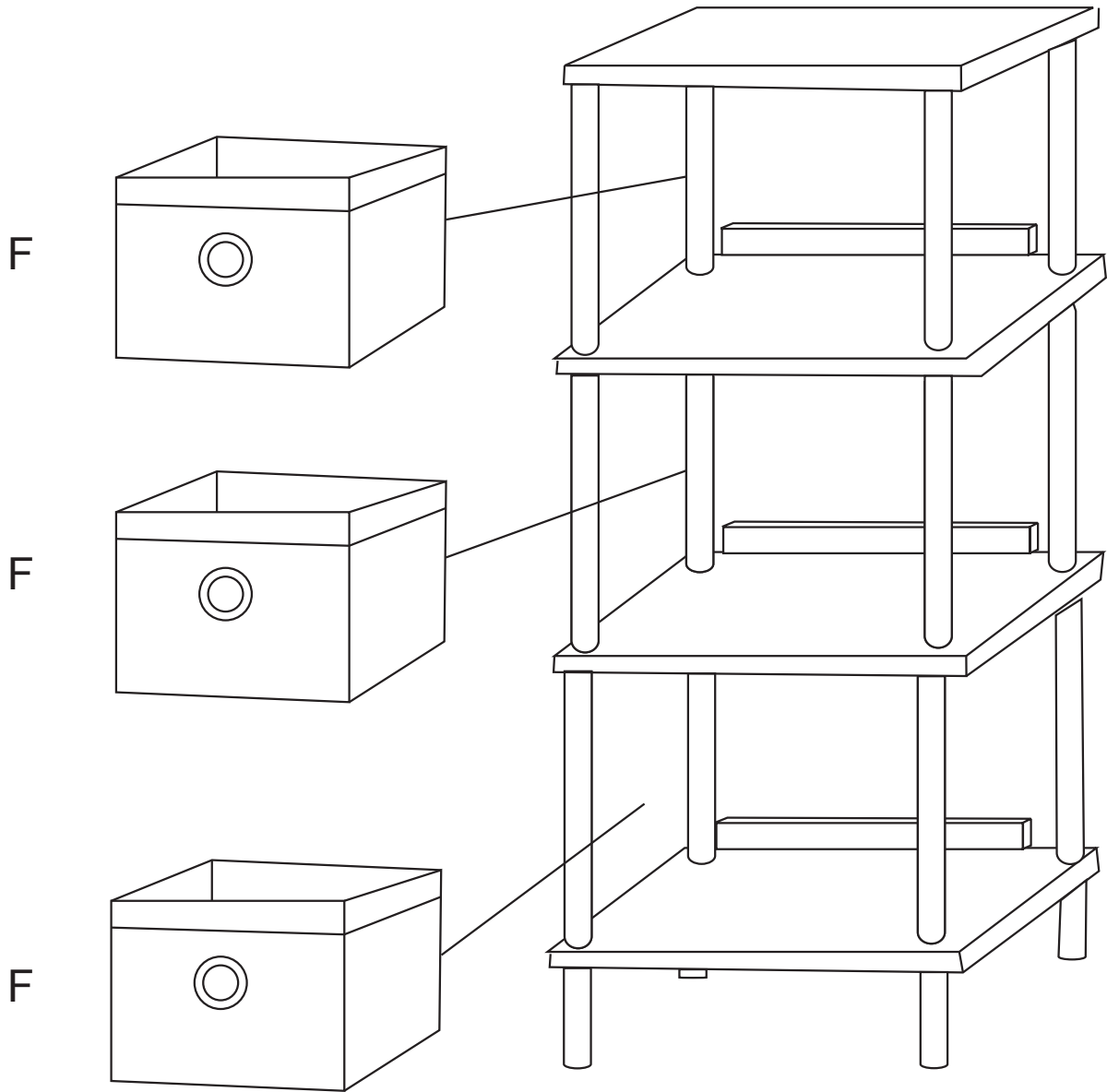
1. PLACE TOP PANEL(A) ON A SMOOTH SURFACE, ATTACH TOP SPINDLES WITH SHORT BOLT(B) ON THE TOP PANEL(A) AS SHOWN.
2. ATTACH SHELVES(D) USING MIDDLE SPINDLES WITH LONG BOLT(C) AS SHOWN.
3. ATTACH FOOT SPINDLES WITH BOLT(E) ON SHELF(D) AS SHOWN.



**\*VERY IMPORTANT (PART B)**

BE 100% SURE TO USE THE TOP SPINDLES WITH SHORT BOLT(B) SCREW TO TOP PANEL(A).

**STEP 2.**  
**PUT BINS (F) ON EACH SHELF.**



Do you have any questions? Missing small parts or hardware?  
If you need assistance with the assembly of your WOODEN  
STORAGE ORGANIZER  
please e-mail our Customer Service Department at:  
support@fourstari.com  
or call us at (508) 435-4830 or (800) 639-3803

Please include the following information in your email:

- Where item was purchased
- Item, model, style or SKU number listed on instructions or box
- Part number, description of the part and quantity needed

This information will help us get the proper part to you faster