



fourstargroup



MODEL: 11223134C

EXECUTIVE CHAIR

FOR HOUSEHOLD USE ONLY

IMPORTANT SAFETY INSTRUCTIONS

Definitions

Whenever used, the following terms identify safety and property damage messages and designate a level of hazard seriousness.

This is the safety alert symbol. It alerts you to potential personal injury hazards. Obey all safety messages that follow this symbol to avoid possible injury or death.

DANGER- Indicates an imminently hazardous situation which if not avoided, will result in death or serious injury. Usage of this signal word is limited to the most extreme situations.

WARNING-Indicates a potentially hazardous situation which if not avoided, could result in death or serious injury.

CAUTION- Indicates a potentially hazardous situation which if not avoided, could result in minor/moderate injury.

NOTICE- Addresses practices not related to personal injury, such as product and/or property damage.

READ ALL INSTRUCTIONS BEFORE USE

WARNING—To reduce the risk of fire, electric shock, or serious personal injury.


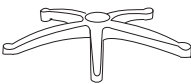




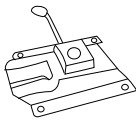
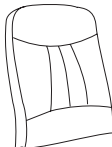
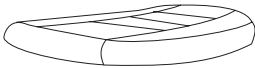
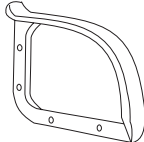

- Do not exceed the maximum weight limit of 220lbs(100kg) on the product.
- Do not sit on either Armrest.
- Do not step or stand on the product.

CAUTION—To reduce the risk of personal injury;

- Make sure the product is properly assembled and all parts secured before sitting on it.
- Regularly inspect the chair for loose Bolts, damage, instability or wear. Tighten any loose Bolts and make sure all parts are secure.
- This product is intended solely for indoor, non commercial use in supporting a seated individual whose weight does not exceed 220lbs. No not use the product outdoors or for any other purpose.

SAVE THESE INSTRUCTIONS FOR FUTURE REFERENCE.

PARTS LIST AND HARDWARE

A		CASTER	5PCS
B		BASE	1PC
C		GAS LIFT	1PC
D		TELESCOPIC COVER	1PC
E		BOLT	12PCS
F		BOLT CAP	8PCS
G		SEAT PLATE	1PC
H		BACK CUSHION	1PC
I		SEAT	1PC
J		ARMREST	2PCS
K		ALLEN WRENCH	1PC

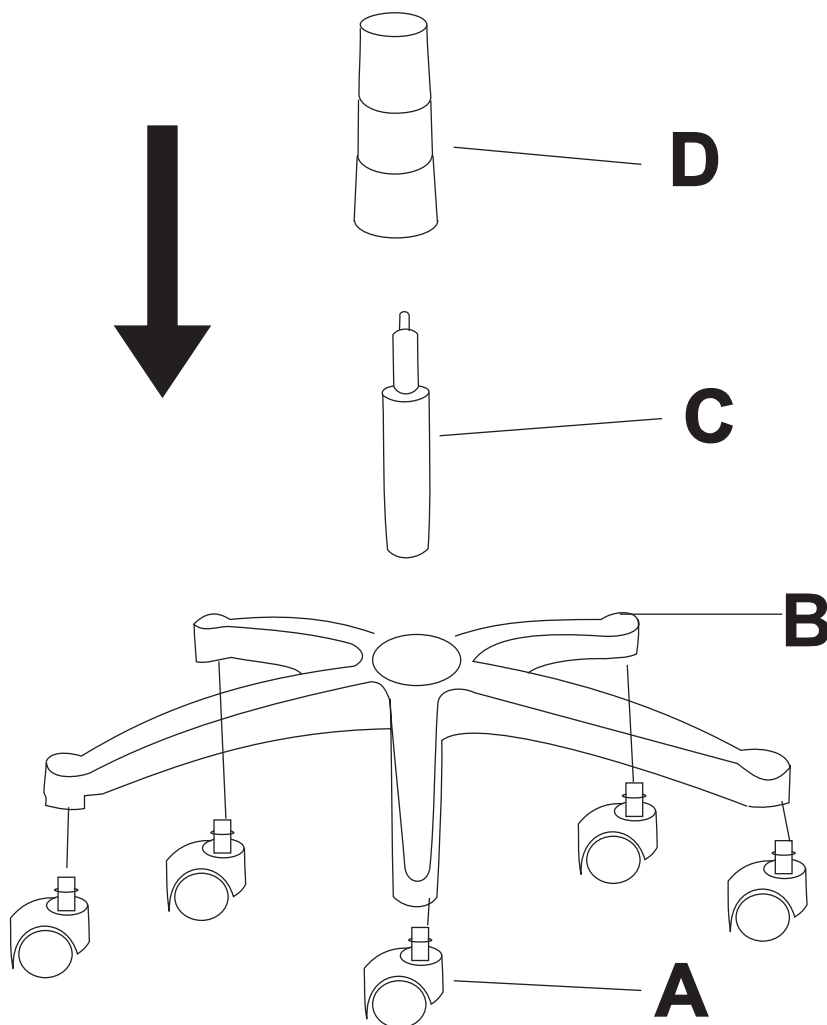
ASSEMBLY INSTRUCTIONS

CAUTION:

1. READ THIS INSTRUCTION MANUAL BEFORE YOU ASSEMBLE.
2. ASSEMBLE ON A SOFT SURFACE TO PREVENT DAMAGE TO FINISH OF CHAIR.
3. IT IS RECOMMENDED THAT TWO PEOPLE ASSEMBLE TOGETHER.

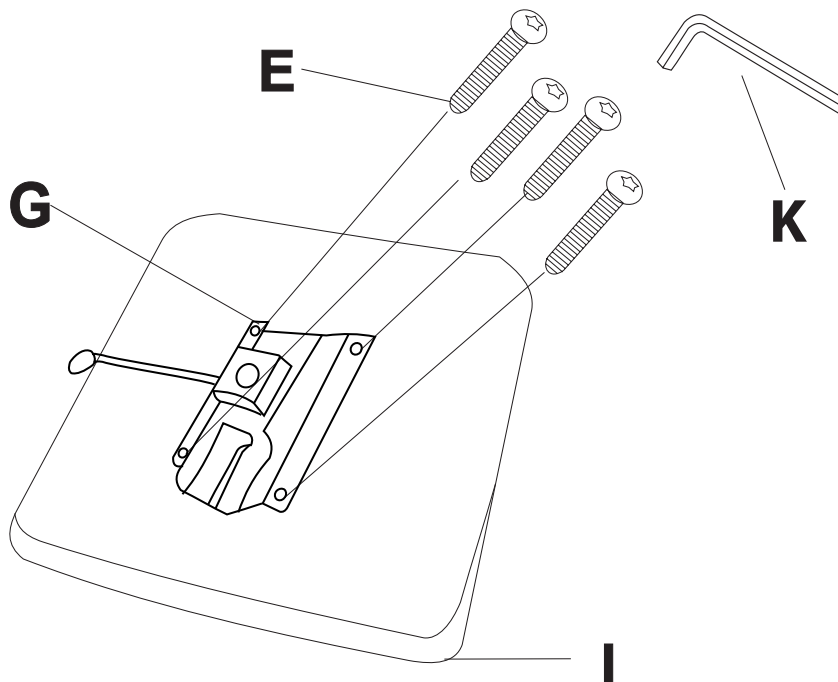
STEP 1.

ATTACH THE CASTERS (A) ONTO BASE (B), ATTACH GAS LIFT(C) AND TELESCOPIC COVER (D) AND PLACE ONTO THE GAS LIFT (C) AS SHOWN.



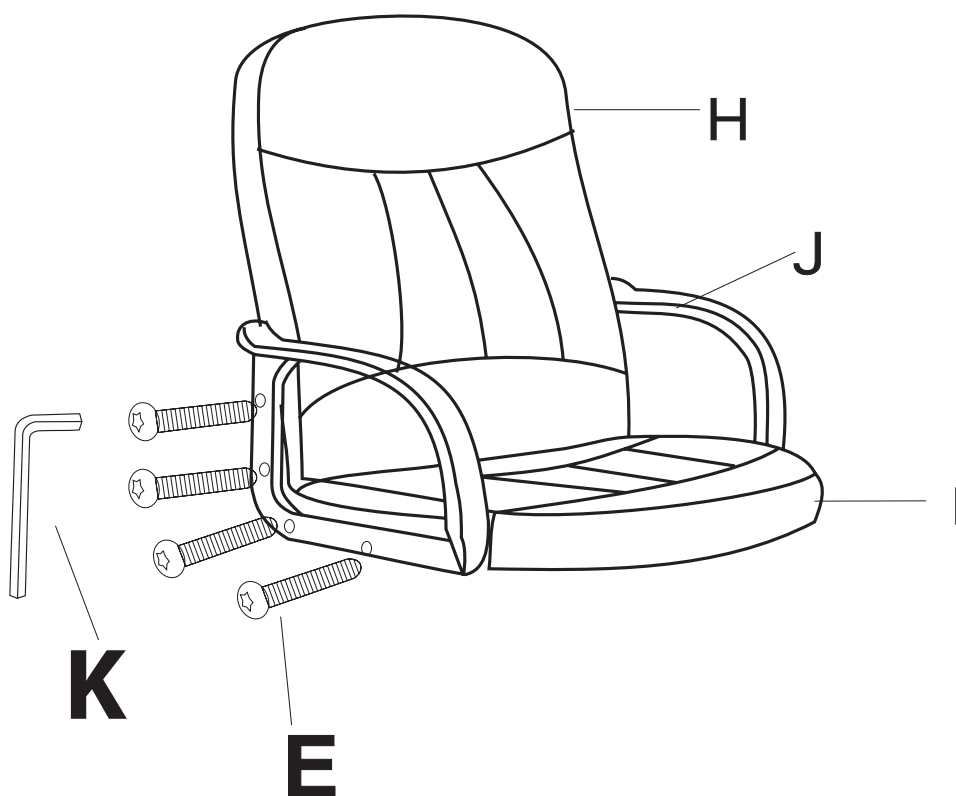
STEP 2.

ATTACH SEAT PLATE (G) TO SEAT (I) USING BOLTS (E) WITH ALLEN WRENCH (K) AS SHOWN, MAKE SURE THE “FRONT” LABEL ON THE SEAT PLATE (G) ACES TOWARD THE “FRONT” LABEL ON THE SEAT (I).



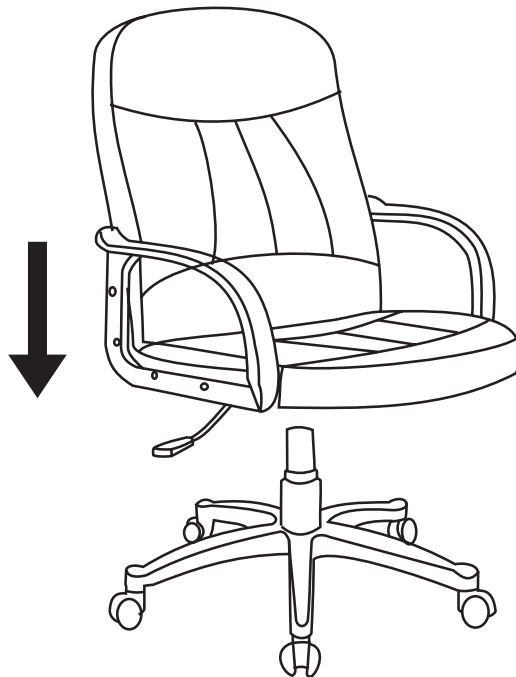
STEP 3.

ATTACH BACK CUSHION (H) AND SEAT (I) WITH ARMRESTS (J) USING BOLTS (E) WITH ALLEN WRENCH (K) AS SHOWN.



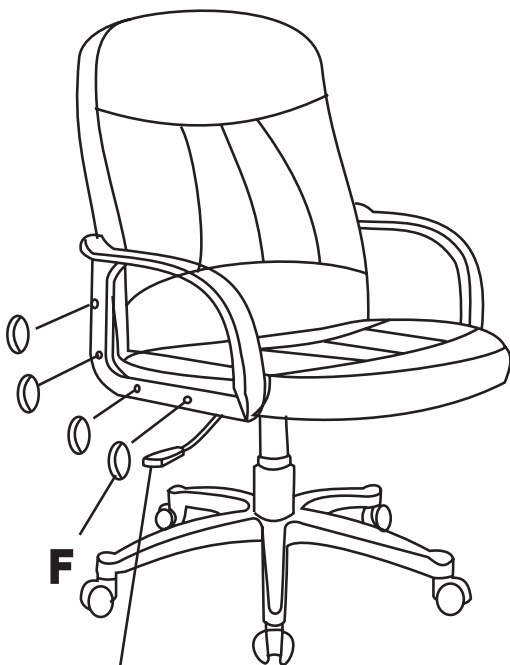
STEP 4.

INSERT (STEP 1) FINISHED PARTS INTO THE HOLES IN THE UNDERSIDE OF (STEP 2) FINISHED PARTS AS SHOWN.



STEP 5.

PLACE THE BOLT CAPS (F) ONTO THE ARMRESTS BOLTS AS SHOWN.



HEIGHT ADJUSTMENT LEVER

HEIGHT ADJUSTMENT:

**TO LOWER THE SEAT, SIT ON IT AND PULL UP ON THE HEIGHT ADJUSTMENT LEVER.
TO RAISE THE SEAT, REMOVE ALL WEIGHT FROM IT AND PULL UP ON THE HEIGHT ADJUSTMENT LEVER.**

Do you have any questions? Missing small parts or hardware?
If you need assistance with the assembly of your EXECUTIVE CHAIR
please e-mail our Customer Service Department at:
support@fourstari.com
or call us at (508) 435-4830 or (800) 639-3803

Please include the following information in your email:

- Where item was purchased
- Item, model, style or SKU number listed on instructions or box
- Part number, description of the part and quantity needed

This information will help us get the proper part to you faster