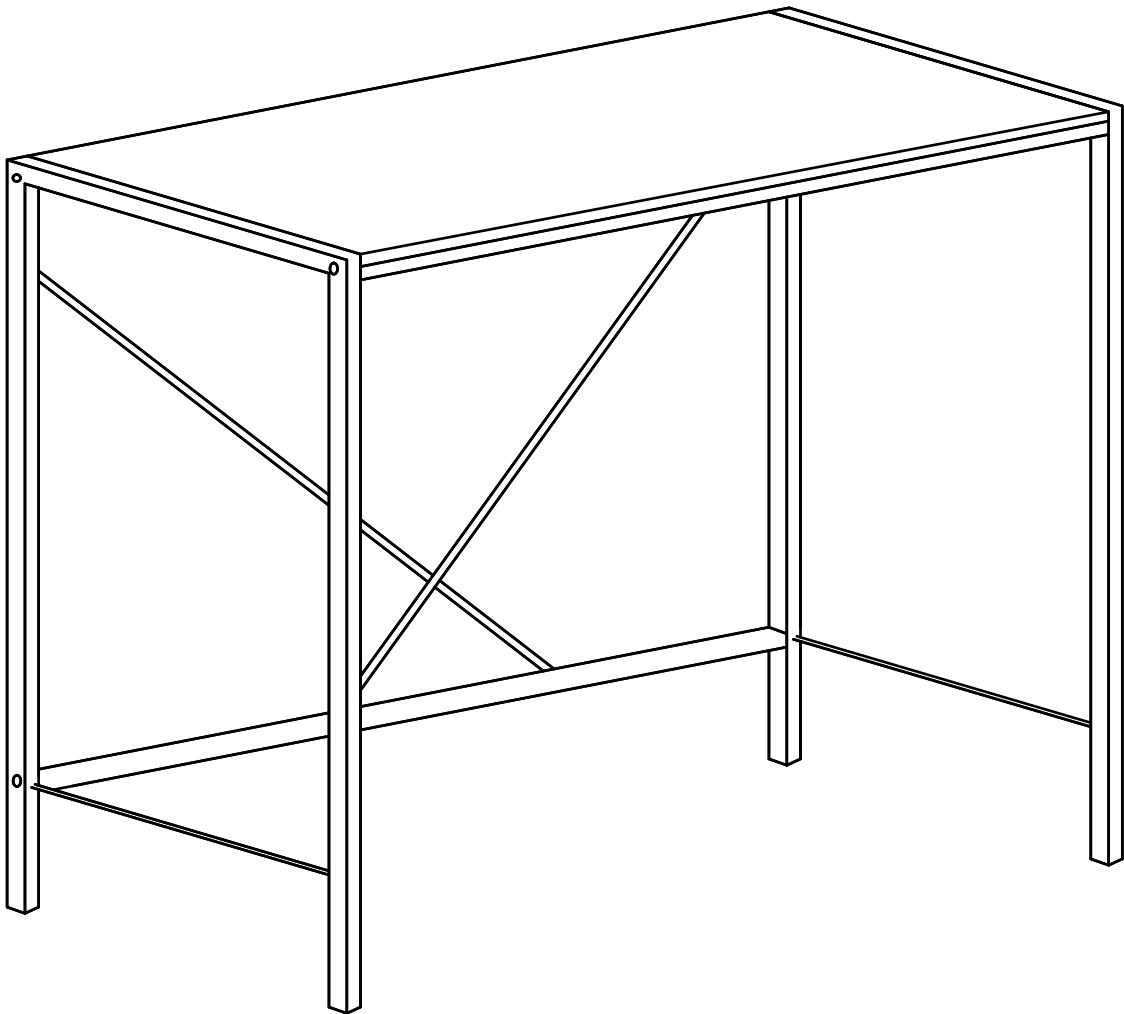











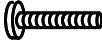

fourstargroup



MODEL: 11223063C

COMPUTER DESK

PARTS

NO	PART LIST	QTY
A	SIDE FRAME 	2PCS
B	SUPPORT BAR 	2PCS
C	CONNECTION BAR 	1PC
D	STEEL LINE 	2PCS
E	TOP PANEL 	1PC
F	SCREW 	6PCS
G	SHORT BOLT 	4PCS
H	LONG BOLT 	6PCS
I	ALLEN WRENCH 	1PC

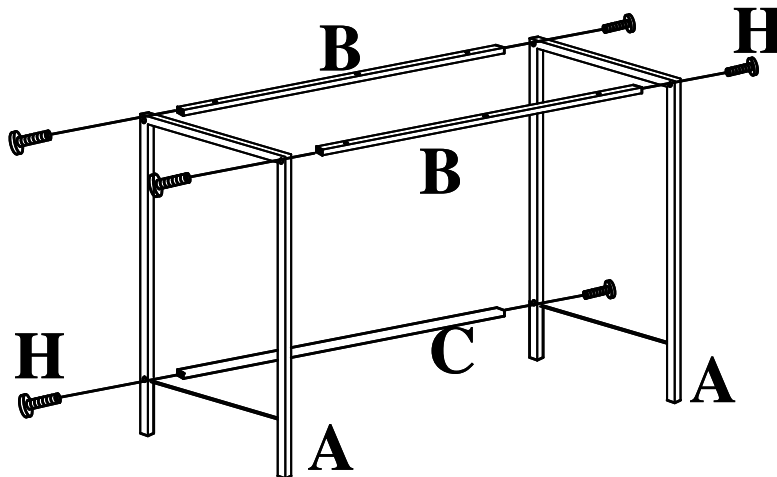
ASSEMBLY INSTRUCTIONS

CAUTION;

1. READ THIS INSTRUCTION MANUAL BEFORE YOU ASSEMBLE.
2. ASSEMBLE ON THE SOFT SURFACE TO PREVENT DAMAGE TO THE PRODUCT FINISH.
3. DON'T TIGHTEN ALL BOLTS UNTIL FINISH THE PRODUCT.

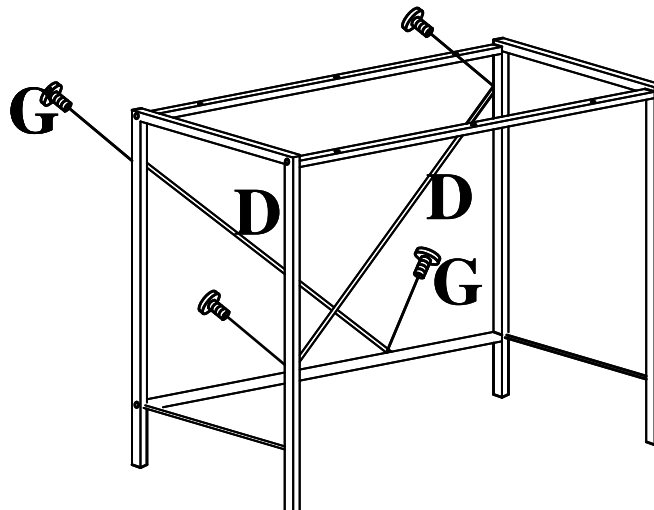
STEP 1.

ATTACH SIDE FRAME (A) AND SUPPORT BAR (B) TO CONNECTION BAR (C) WITH LONG BOLT (H) AS SHOWN, DON'T TIGHTEN ALL BOLTS.



STEP 2.

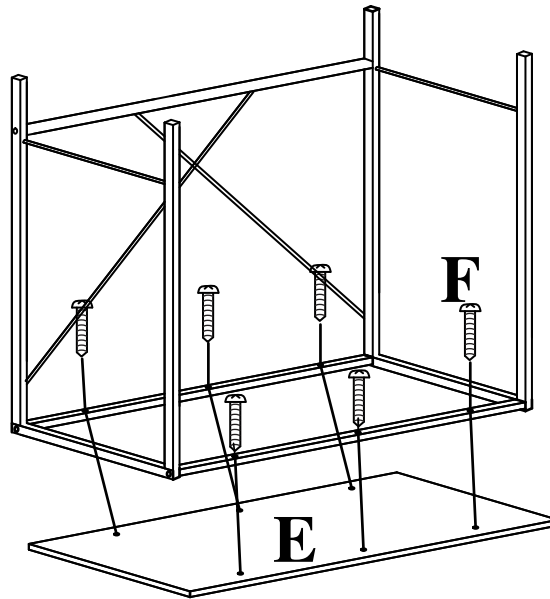
ATTACH STEEL LINE (D) WITH SHORT BOLT (G) AS SHOWN, DON'T TIGHTEN ALL BOLTS.



STEP 3.

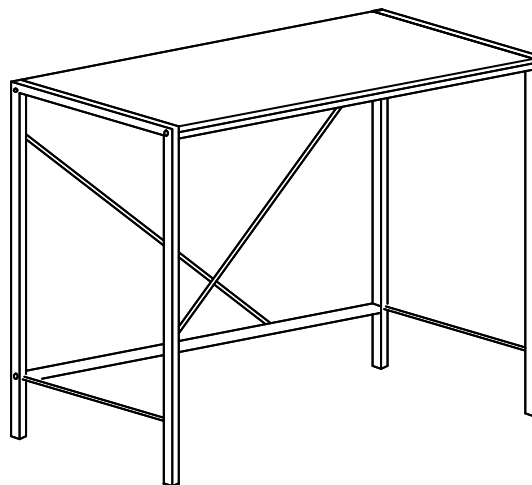
ATTACH TOP PANEL (E) WITH SCREWS (F) AS SHOWN.

*** ASSEMBLE STEP 3 WITH THE TOP PANEL UPSIDE DOWN ON A SOFT SURFACE.**



STEP 4.

TIGHTEN ALL BOLTS AND STAND UPRIGHT.



Do you have any questions? Missing small parts or hardware?
If you need assistance with the assembly of your COMPUTER DESK
please e-mail our Customer Service Department at:
support@fourstari.com
or call us at (508) 435-4830 or (800) 639-3803

Please include the following information in your email:

- Where item was purchased
- Item, model, style or SKU number listed on instructions or box
- Part number, description of the part and quantity needed

This information will help us get the proper part to you faster