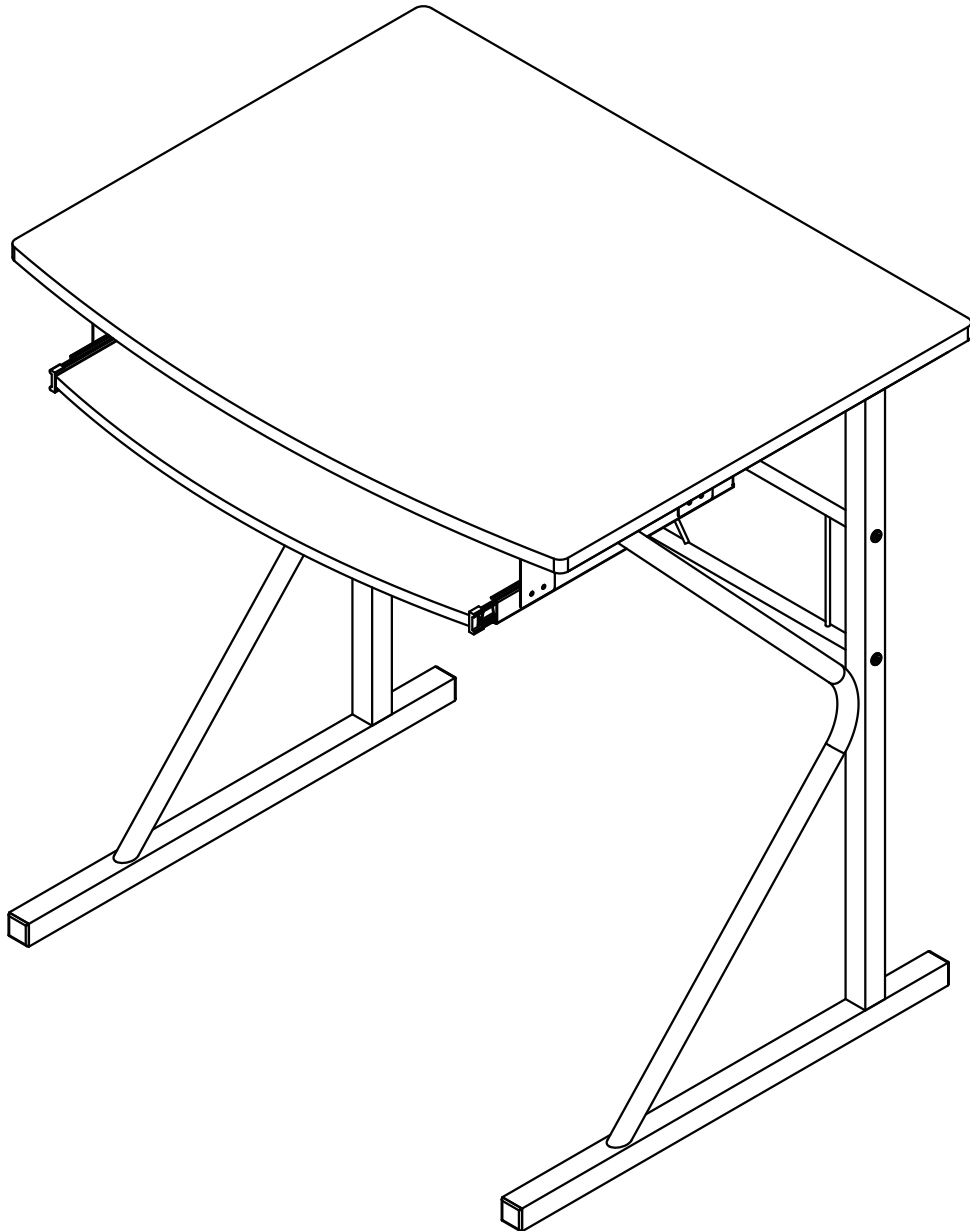




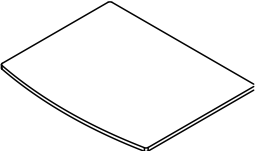
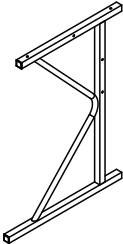
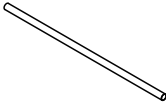
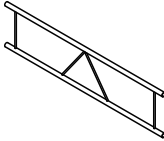
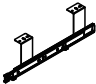
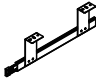
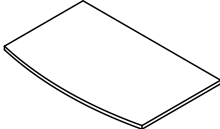
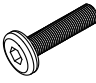


fourstargroup



MODEL: 11222327

METAL COMPUTER DESK

PARTS AND HARDWARE

| NO | HARDWARE LIST | QTY |
|----|--|--------|
| A | TABLE TOP  | 1 PC |
| B | LEG  | 2 PCS |
| C | LINK  | 1 PC |
| D | BACK FRAME  | 1 PC |
| E | LEFT SLIDER  | 1 PC |
| F | RIGHT SLIDER  | 1 PC |
| G | KEYBOARD PANEL  | 1 PC |
| H | BOLT  | 10 PCS |
| I | WOOD SCREW  | 16 PCS |
| J | ALLEN WRENCH  | 1 PC |

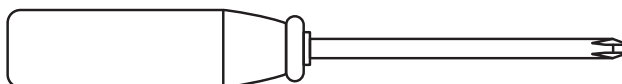
ASSEMBLY INSTRUCTIONS

CAUTION:

1. READ THIS INSTRUCTION MANUAL BEFORE YOU ASSEMBLE.
2. ASSEMBLE ON SOFT SURFACE TO PREVENT DAMAGE TO THE PRODUCT FINISH.

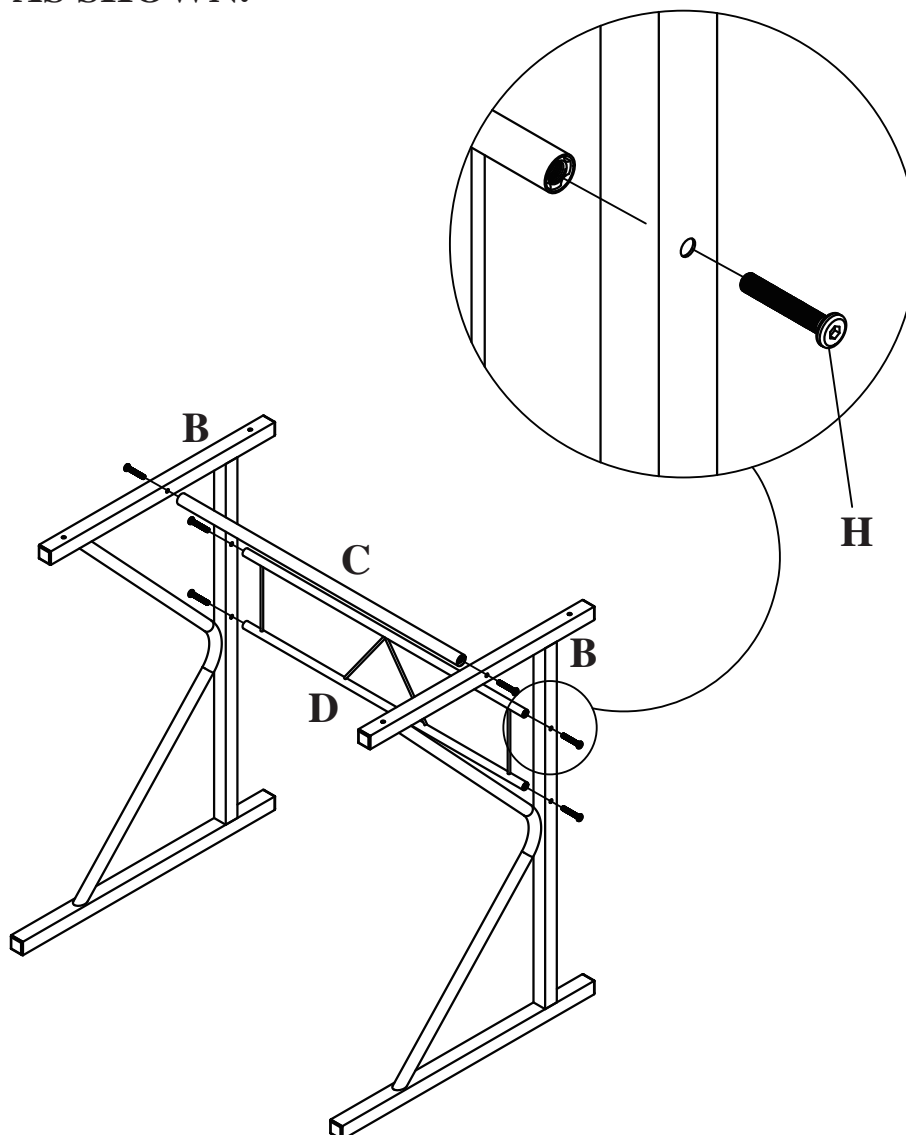
ASSEMBLY TOOL REQUIRED

PHILIPS SCREWDRIVER



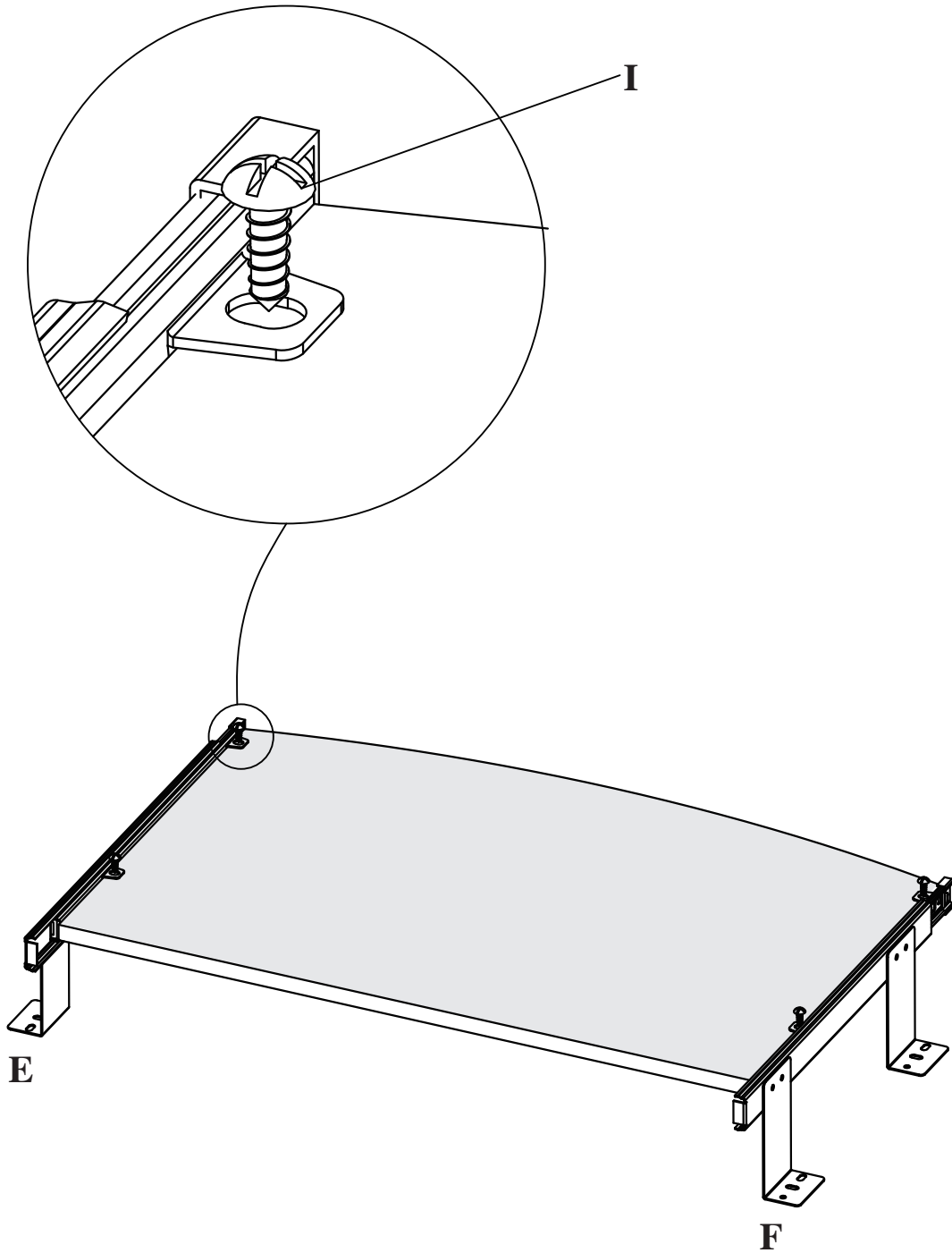
STEP 1

ATTACH LINK (C) AND BACK FRAME (D) TO LEGS (B) USING BOLTS (H) AS SHOWN.



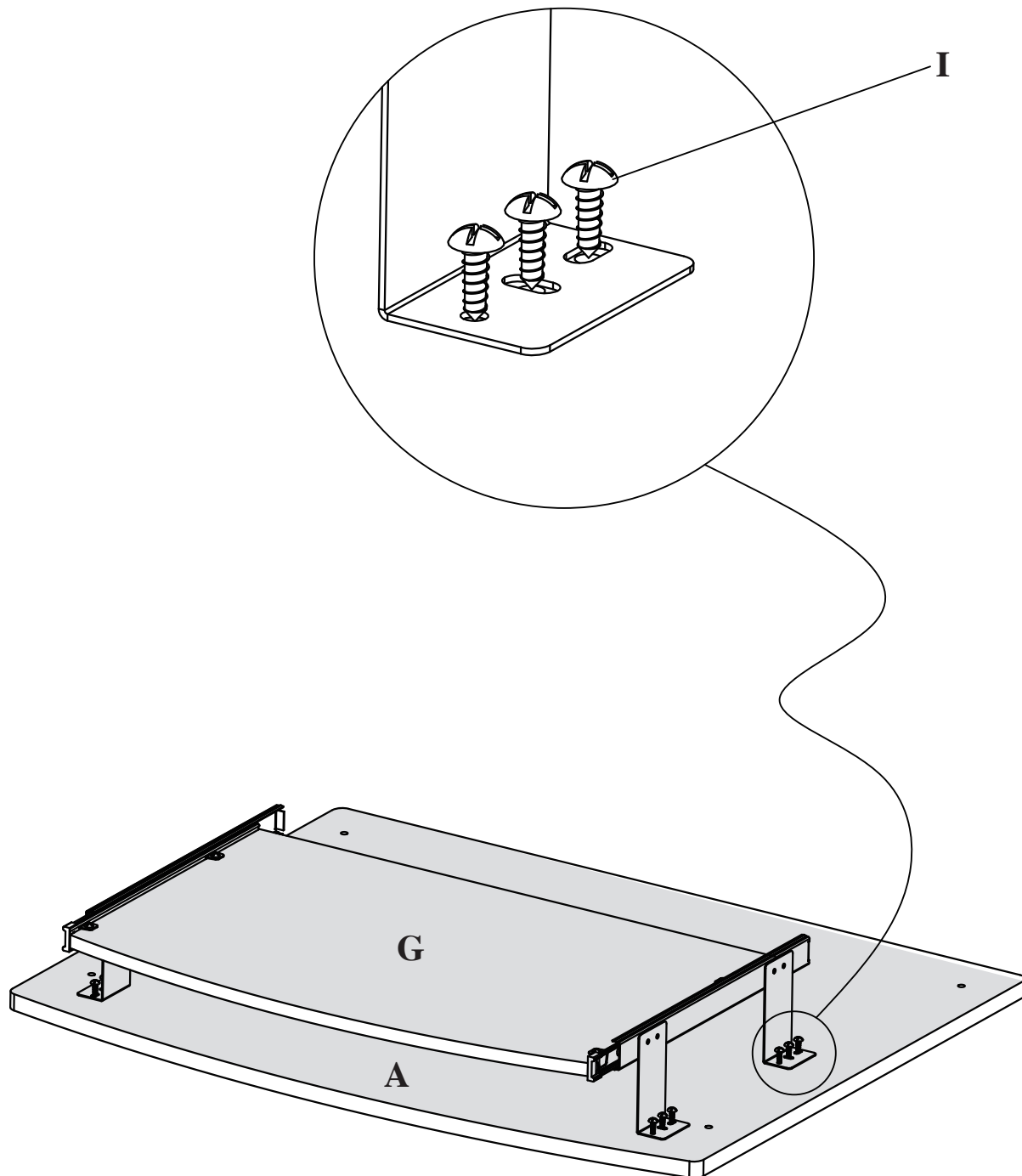
STEP 2

ATTACH LEFT SLIDER (E) AND RIGHT SLIDER (F) TO KEYBOARD PANEL (G) USING WOOD SCREWS (I) AS SHOWN.



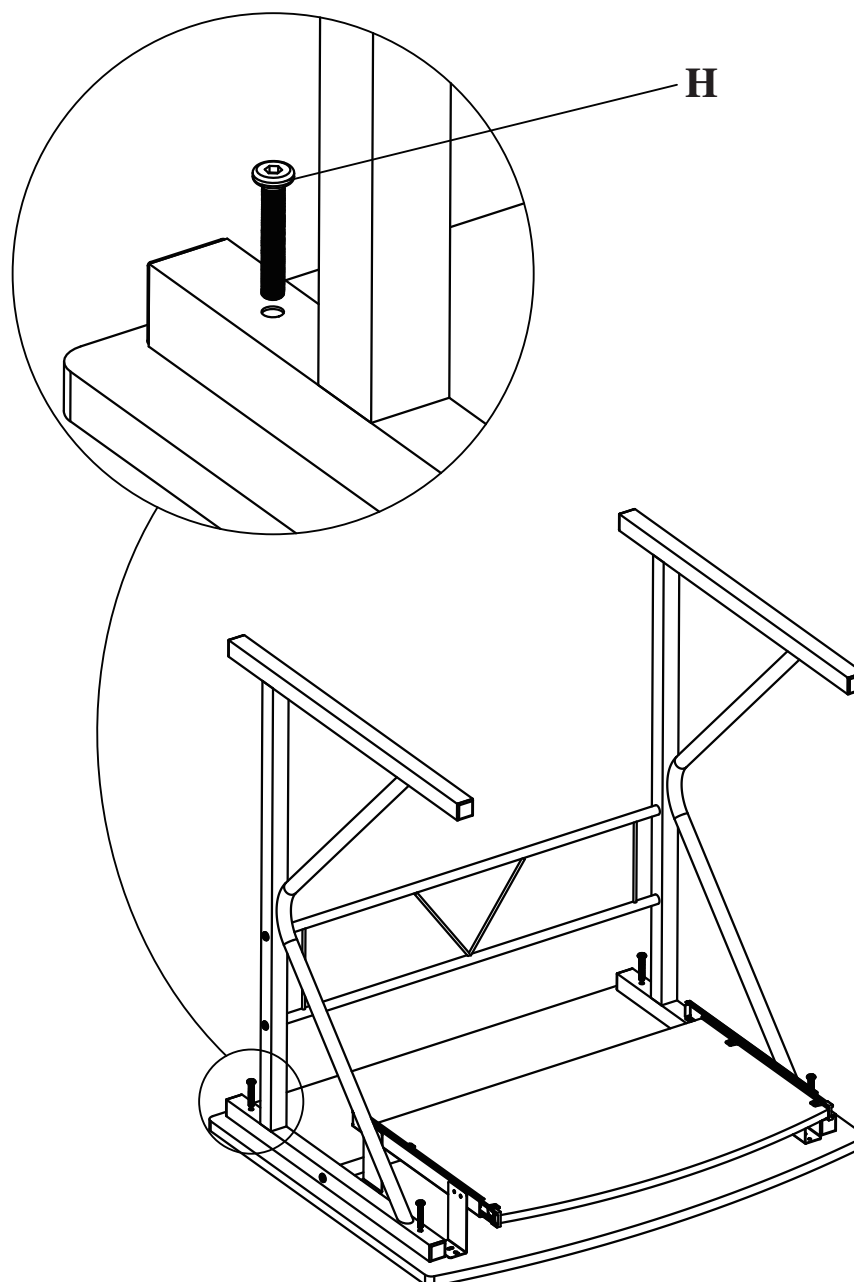
STEP 3

ATTACH STEP 2 FINISHED PART TO TABLE TOP (A) USING WOOD SCREWS (I) AS SHOWN.



STEP 4

ATTACH STEP 1 FINISHED PART TO STEP 3 FINISHED PART USING BOLTS (H) AS SHOWN.



Do you have any questions? Missing small parts or hardware?

If you need assistance with the assembly of your METAL

COMPUTER DESK please e-mail our Customer Service

Department at: support@fourstari.com

or call us at (508) 435-4830

or (800) 639-3803

Please include the following information in your email:

- Where item was purchased
- Item, model, style or SKU number listed on instructions or box
- Part number, description of the part and quantity needed

This information will help us get the proper part to you faster