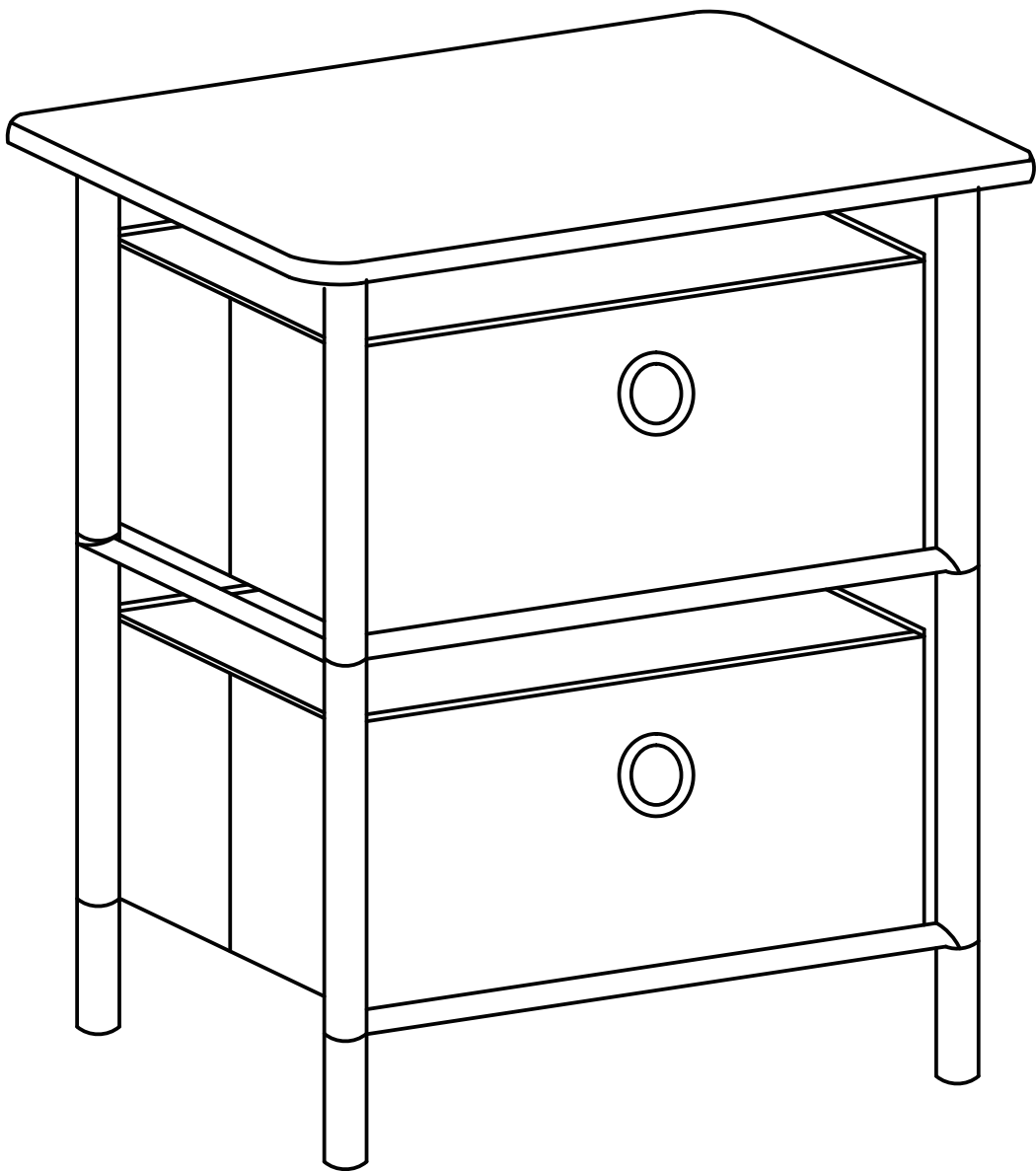




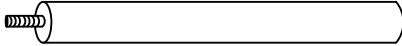
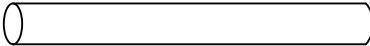
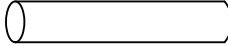
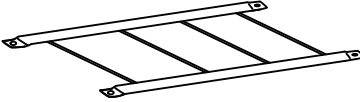

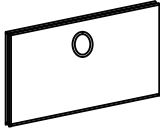



fourstargroup



MODEL: 11222308

2 BIN STORAGE ORGANIZER

PARTS AND HARDWARE

NO	HARDWARE LIST	QTY
A	TOP SPINDLE 	4 PCS
B	MIDDLE SPINDLE 	4 PCS
C	FOOT 	4 PCS
D	WIRE SHELF 	2 PCS
E	SUPPORT POLE 	2 PCS
F	NON-WOVEN BIN 	2 PCS
G	BOTTOM BIN BOARD 	2 PCS
H	TOP PANEL 	1 PC
I	CONNECTOR BOLT 	4 PCS

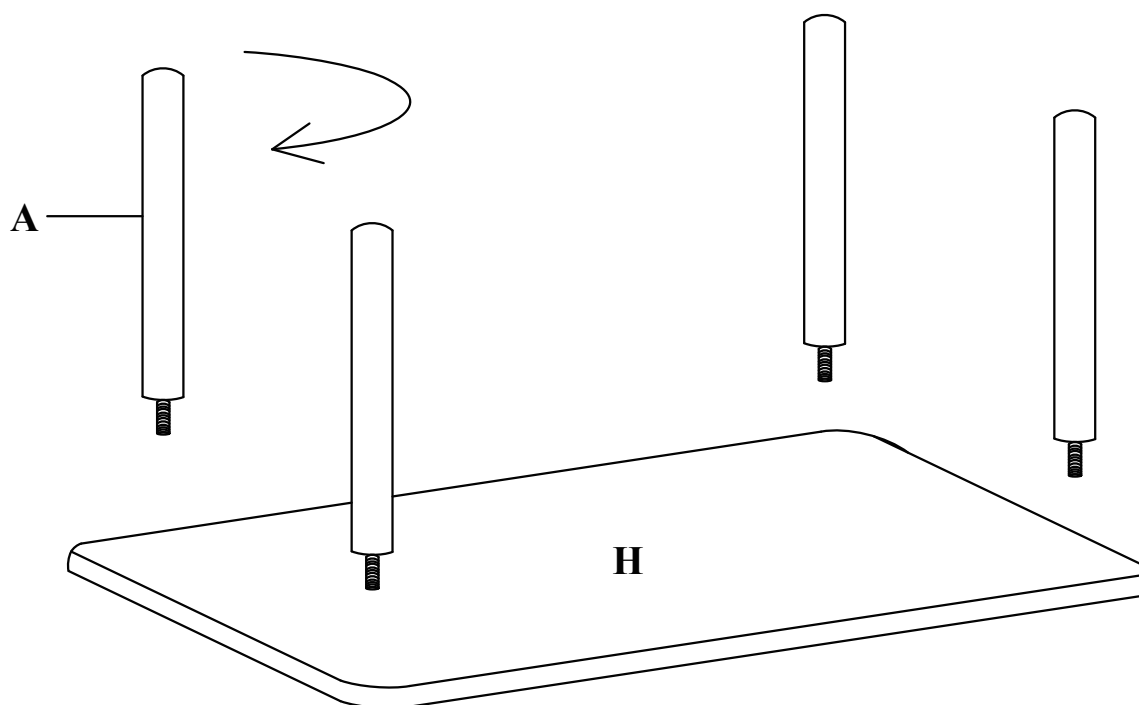
ASSEMBLY INSTRUCTIONS

CAUTION:

1. READ THIS INSTRUCTION MANUAL BEFORE YOU ASSEMBLE.
2. ASSEMBLE ON SOFT SURFACE TO PREVENT DAMAGE TO FINISH OF TABLE.

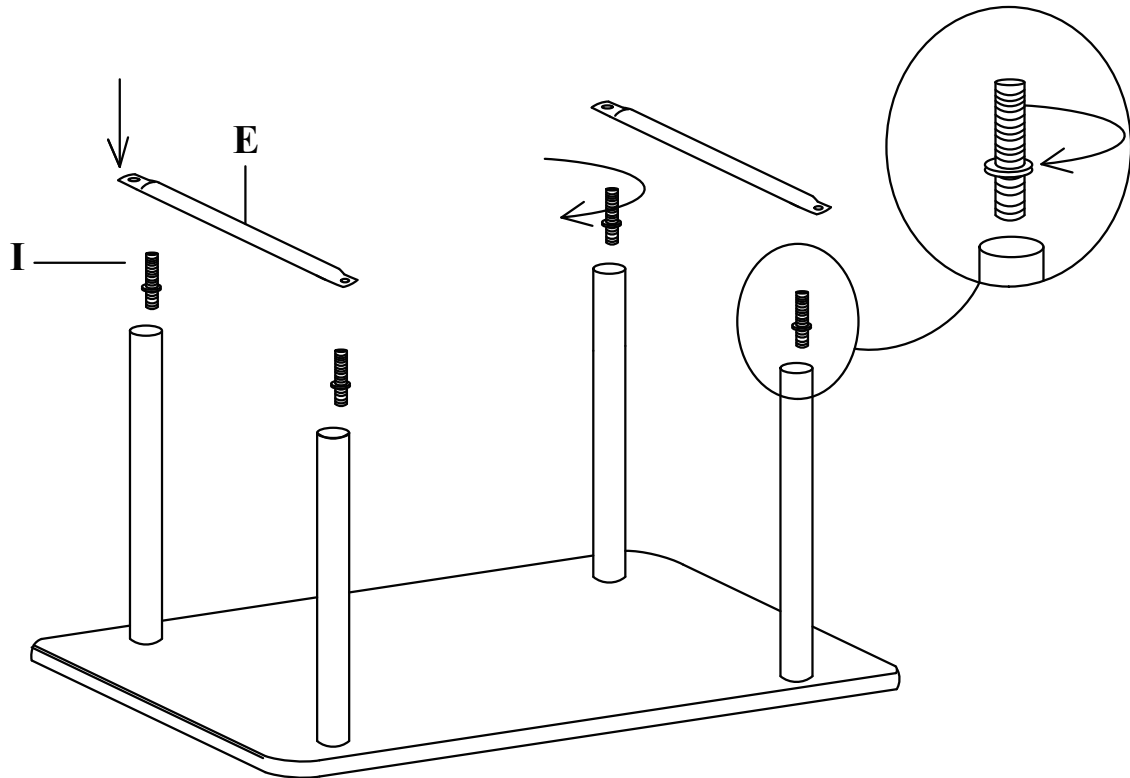
STEP 1

ATTACH TOP SPINDLES (A) TO TOP PANEL (H) AS SHOWN.



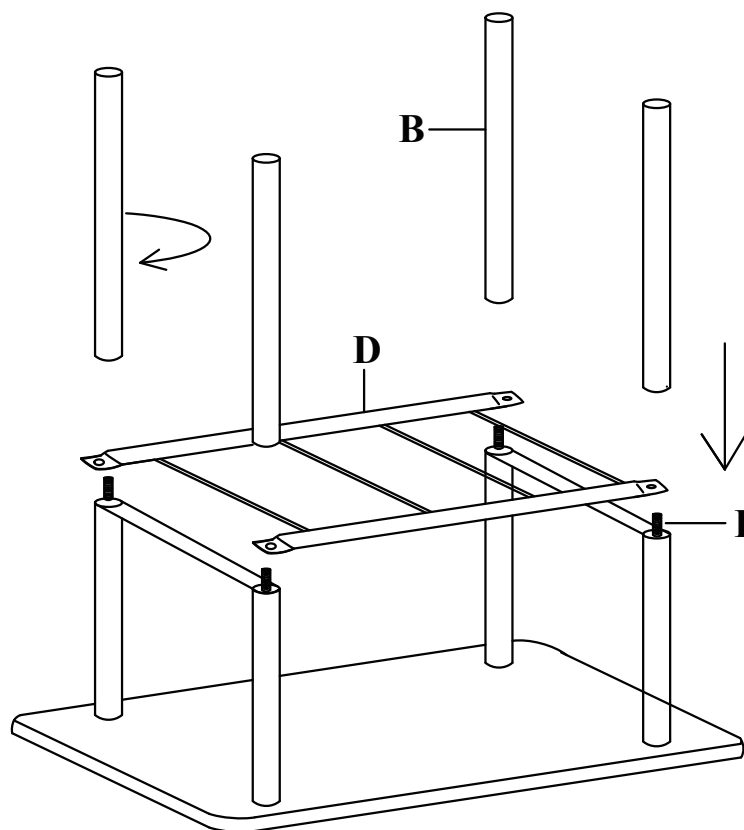
STEP 2

SCREW CLOCKWISE CONNECTOR BOLTS (I) INTO TOP SPINDLES (A) AND ATTACH SUPPORT POLES (E) AS SHOWN.



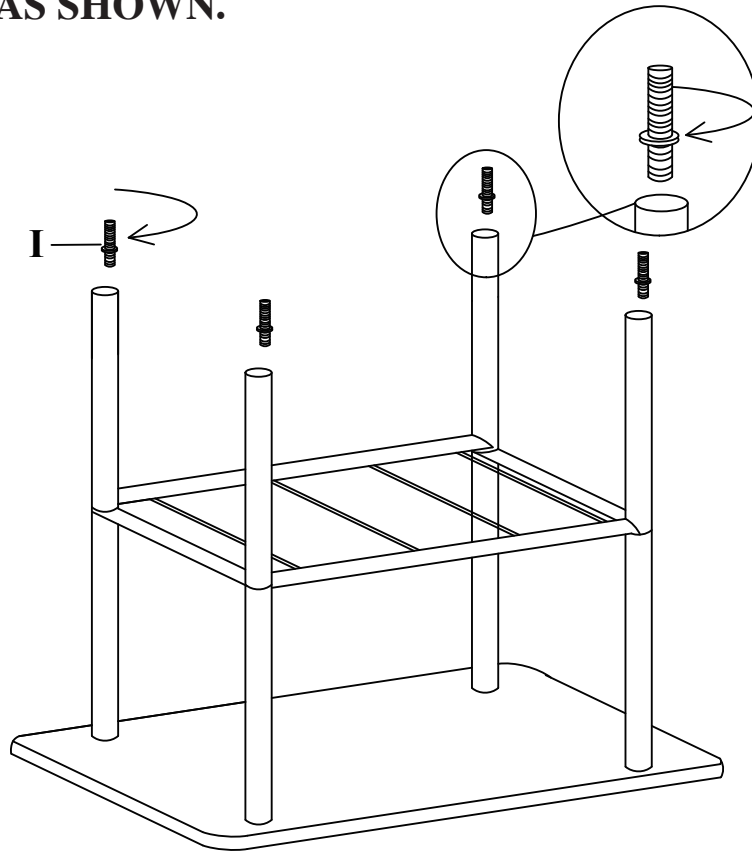
STEP 3

ATTACH WIRE SHELF (D) TO CONNECTOR BOLTS (I) USING MIDDLE SPINDLES (B) AS SHOWN.



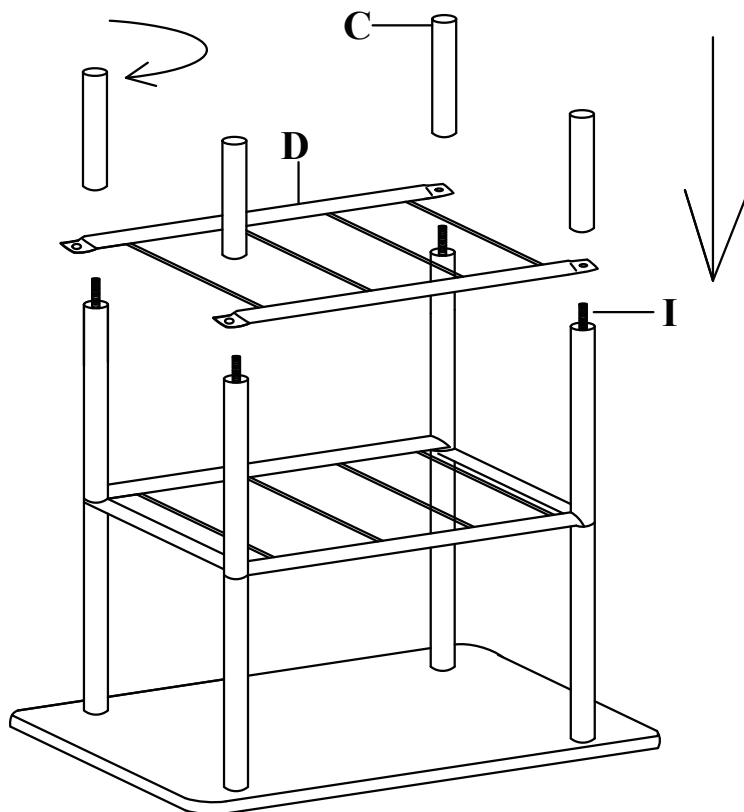
STEP 4

SCREW CLOCKWISE CONNECTOR BOLTS (I) INTO MIDDLE SPINDLES (B) AS SHOWN.



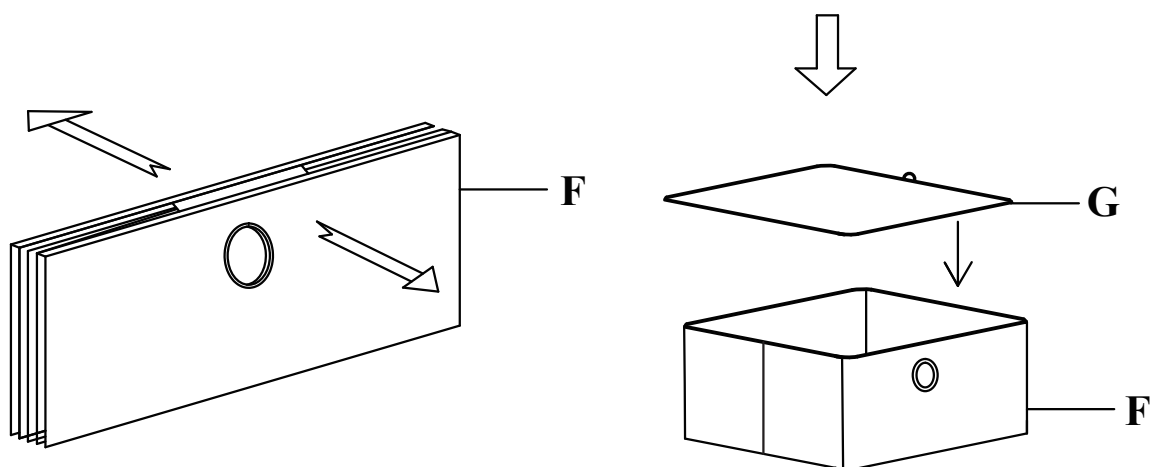
STEP 5

ATTACH WIRE SHELF (D) TO CONNECTOR BOLTS (I) USING FEET (C) AS SHOWN.



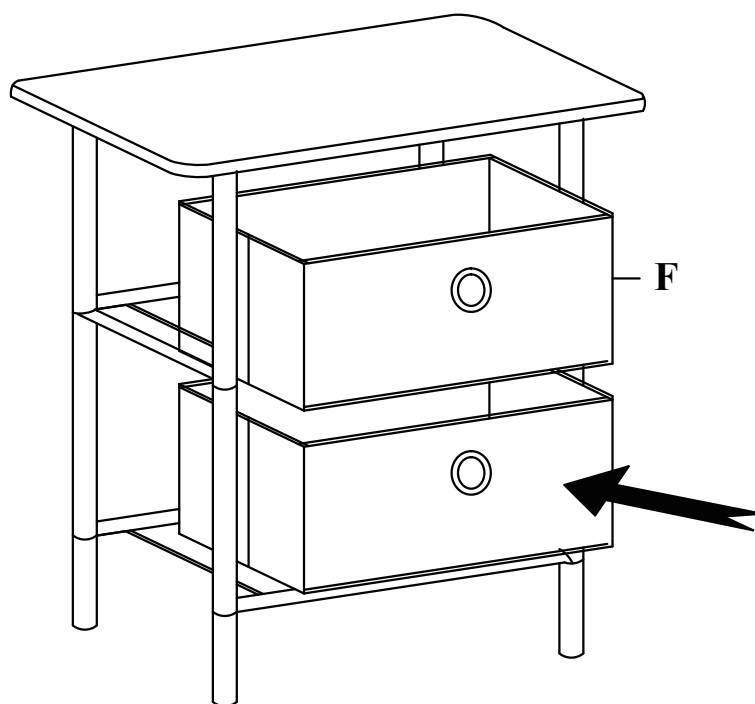
STEP 6

UNFOLD NON-WOVEN BIN (F), PUT THE BOTTOM BIN BOARD (G) INTO UNFOLD NON-WOVEN BIN (F) AS SHOWN.



STEP 7

PLACE THE NON-WOVEN BINS ONTO THE SHELVES AS SHOWN.



Do you have any questions? Missing small parts or hardware?

If you need assistance with the assembly of your 2 DRAWER STORAGE ORGANIZER please e-mail our Customer Service

Department at: support@fourstari.com

or call us at (508) 435-4830

or (800) 639-3803

Please include the following information in your email:

- Where item was purchased
- Item, model, style or SKU number listed on instructions or box
- Part number, description of the part and quantity needed

This information will help us get the proper part to you faster