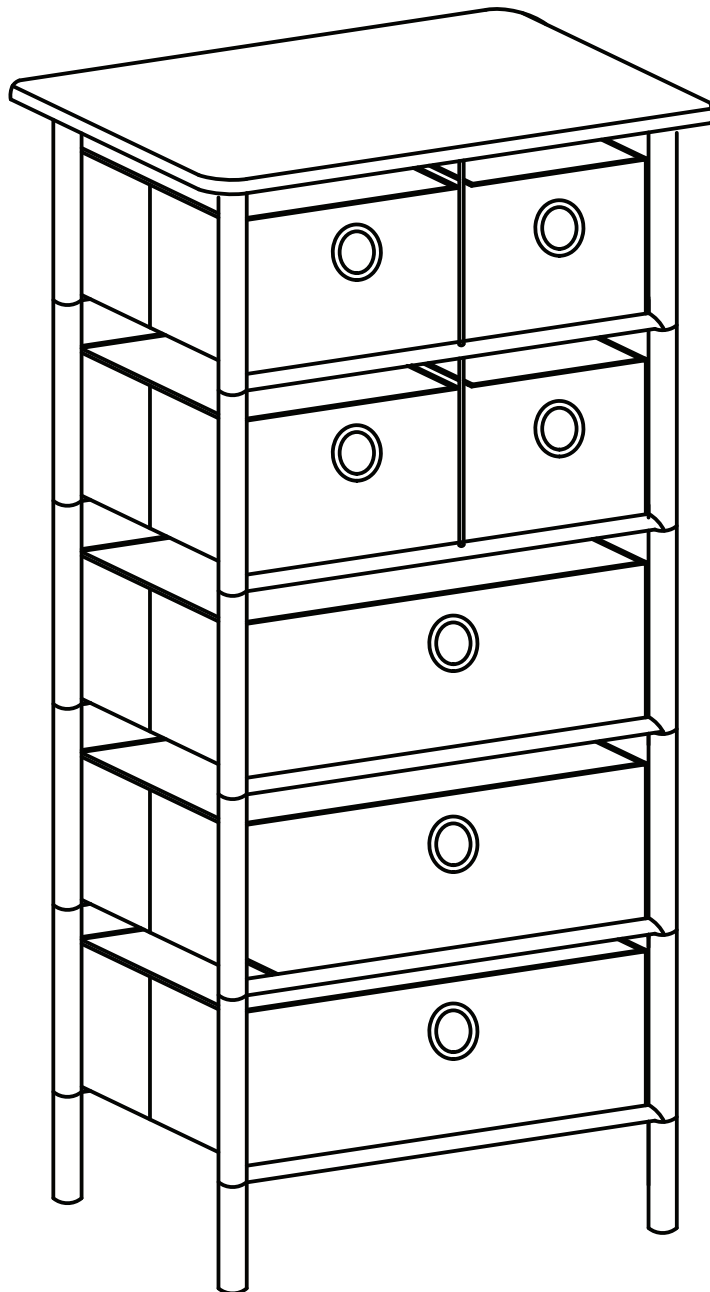




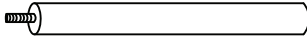
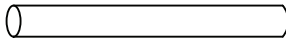
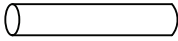
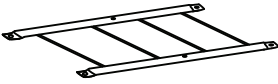
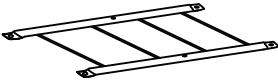
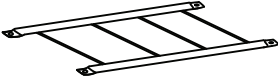
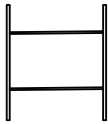
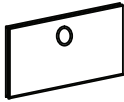

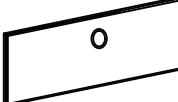



fourstargroup



MODEL: 11222306

7 BIN STORAGE ORGANIZER

PARTS AND HARDWARE

NO	HARDWARE LIST	QTY
A	TOP SPINDLE 	4 PCS
B	MIDDLE SPINDLE 	16 PCS
C	FOOT 	4 PCS
D	TOP SHELF WITH THROUGH HOLE 	1 PC
E	MEDIUM SHELF WITH SEMI- HOLE 	1 PC
F	BOTTOM SHELF WITHOUT HOLE 	3 PCS
G	WIRE SHELF 	2 PCS
H	SMALL NON-WOVEN BIN 	4 PCS
I	SMALL BOTTOM BIN BOARD 	4 PCS
J	LARGE NON-WOVEN BIN 	3 PCS
K	LARGE BOTTOM BIN BOARD 	3 PCS
L	TOP PANEL 	1 PC
M	CONNECTOR BOLT 	20 PCS

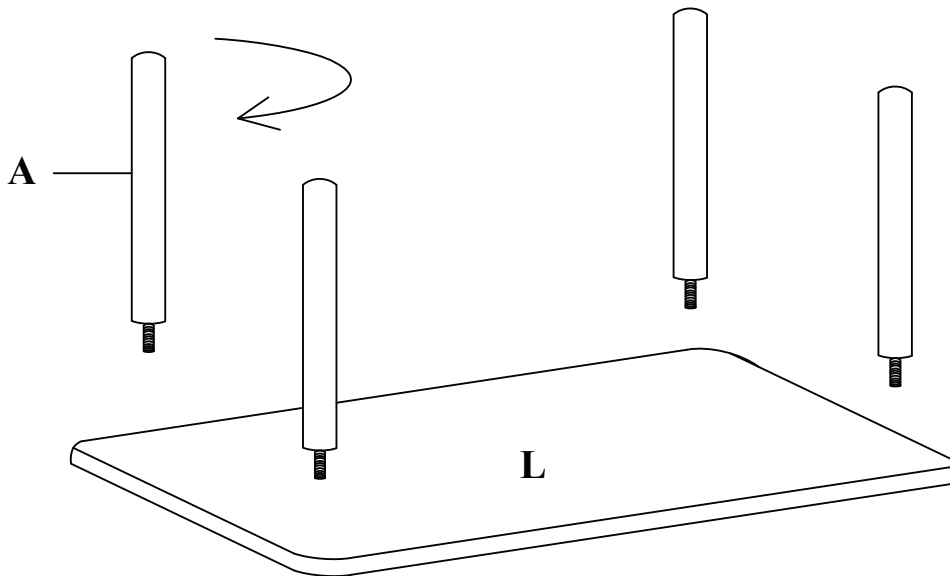
ASSEMBLY INSTRUCTIONS

CAUTION:

1. READ THIS INSTRUCTION MANUAL BEFORE YOU ASSEMBLE.
2. ASSEMBLE ON SOFT SURFACE TO PREVENT DAMAGE TO FINISH OF TABLE.

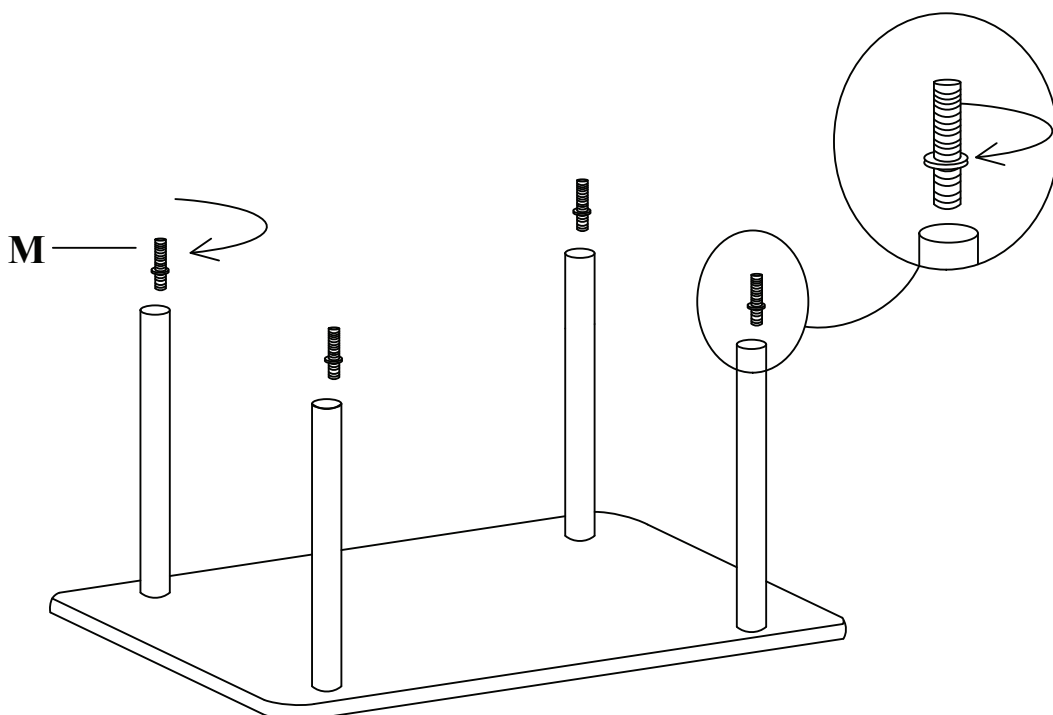
STEP 1

ATTACH TOP SPINDLES (A) TO TOP PANEL (L) AS SHOWN.



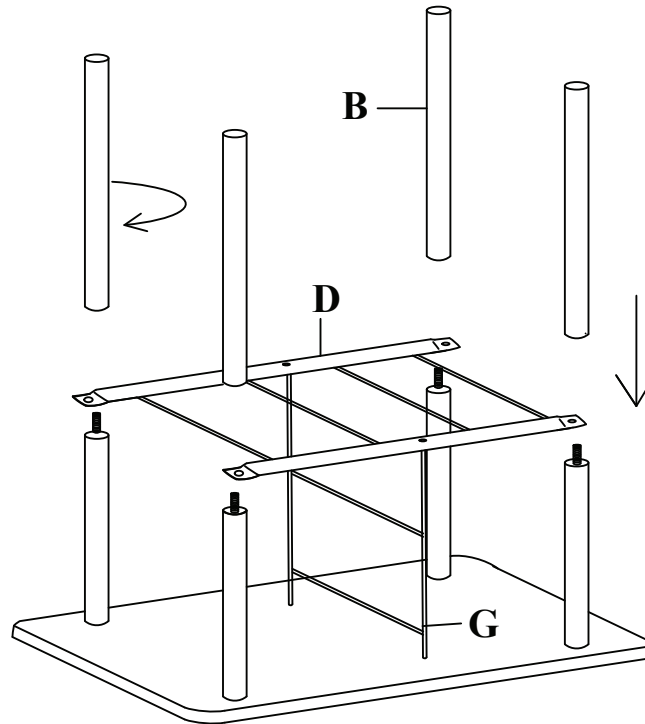
STEP 2

SCREW CLOCKWISE CONNECTOR BOLTS (M) INTO TOP SPINDLES (A) AS SHOWN.



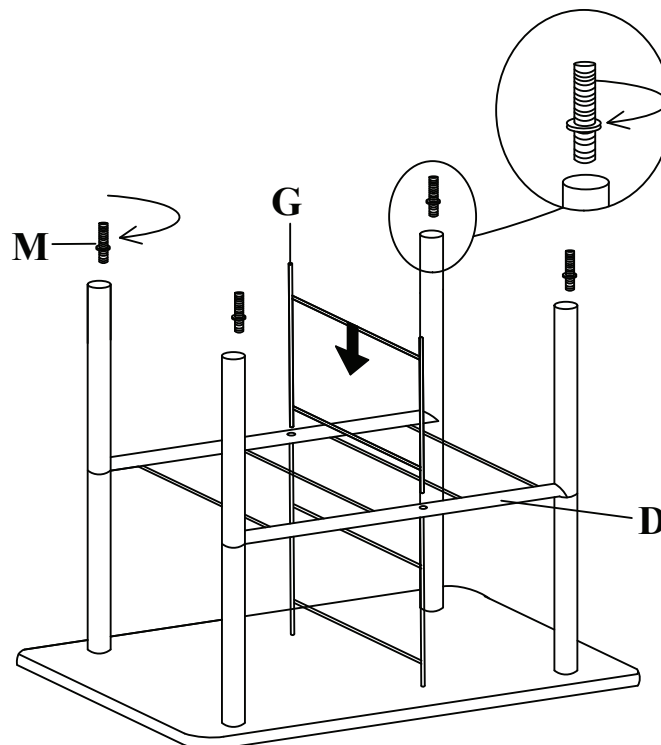
STEP 3

INSERT WIRE SHELF (G) INTO HOLES OF TOP SHELF (D), THEN ATTACH TOP SHELF (D) ON BOLTS (M) USING MIDDLE SPINDLES (B) AS SHOWN.



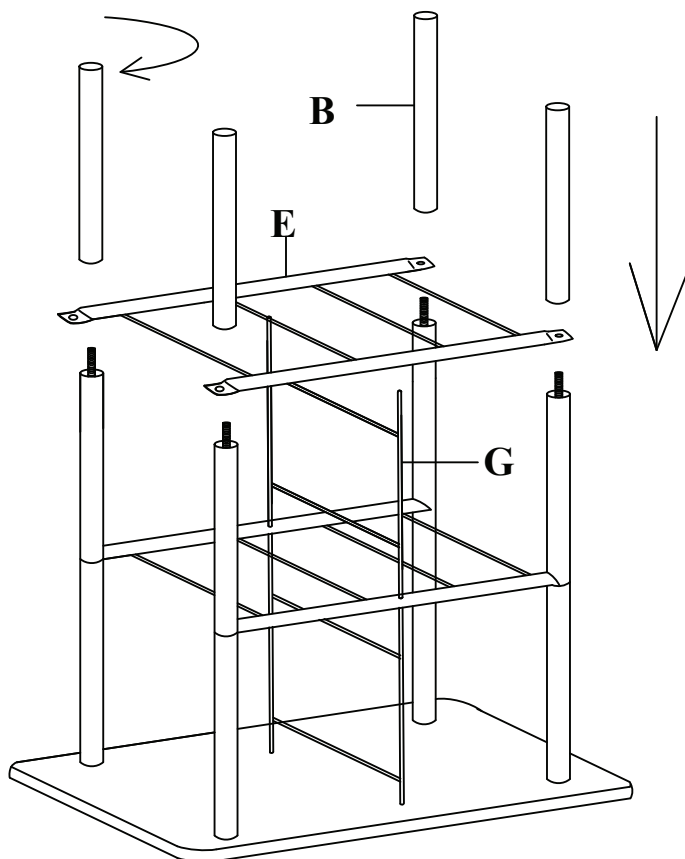
STEP 4

SCREW CLOCKWISE CONNECTOR BOLTS (M) INTO MIDDLE SPINDLES (B), INSERT THE MIDDLE WIRE SHELF (G) IN HOLES OF TOP SHELF (D) AS SHOWN.



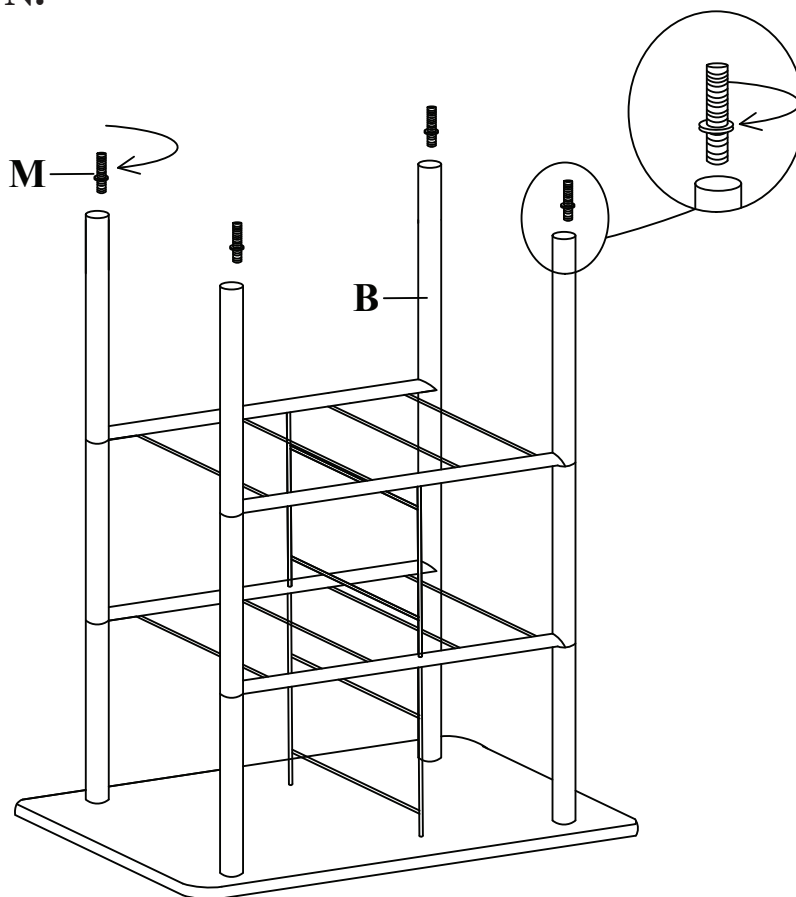
STEP 5

**ATTACH MEDIUM SHELF (E)
TO BOLTS (M) USING
MIDDLE SPINDLES (B),
MAKE SURE WIRE SHELF (G)
INSERT THE HOLES OF
MEDIUM SHELF (E).**



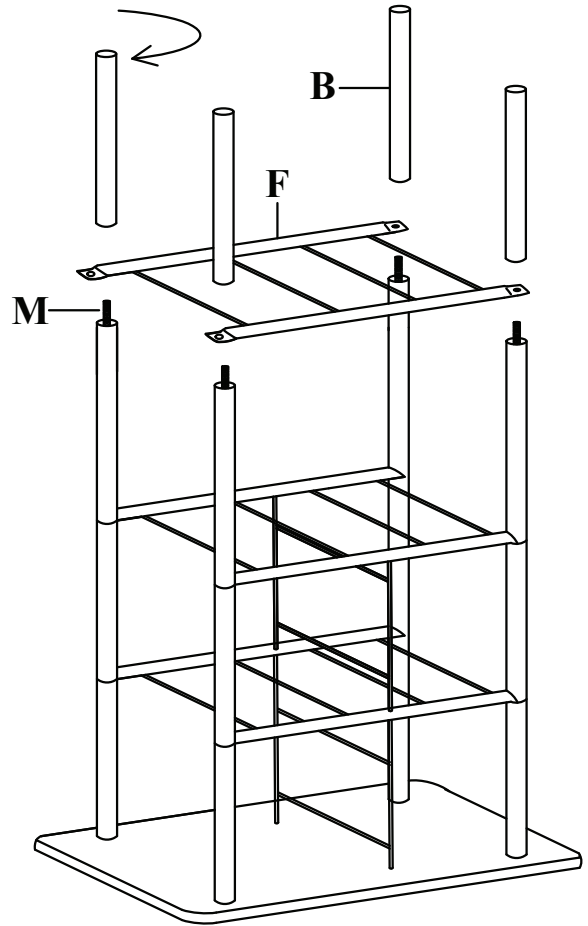
STEP 6

**SCREW CLOCKWISE CONNECTOR BOLTS (M) INTO MIDDLE
SPINDLES (B) AS SHOWN.**



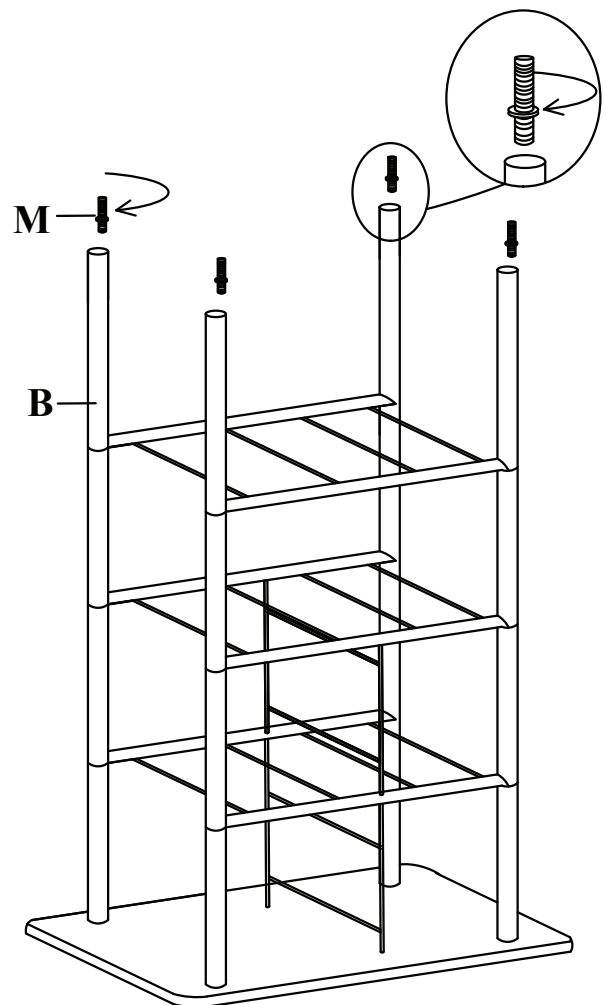
STEP 7

**ATTACH BOTTOM SHELF (F)
TO CONNECTOR BOLTS (M)
USING MIDDLE SPINDLES (B)
AS SHOWN.**



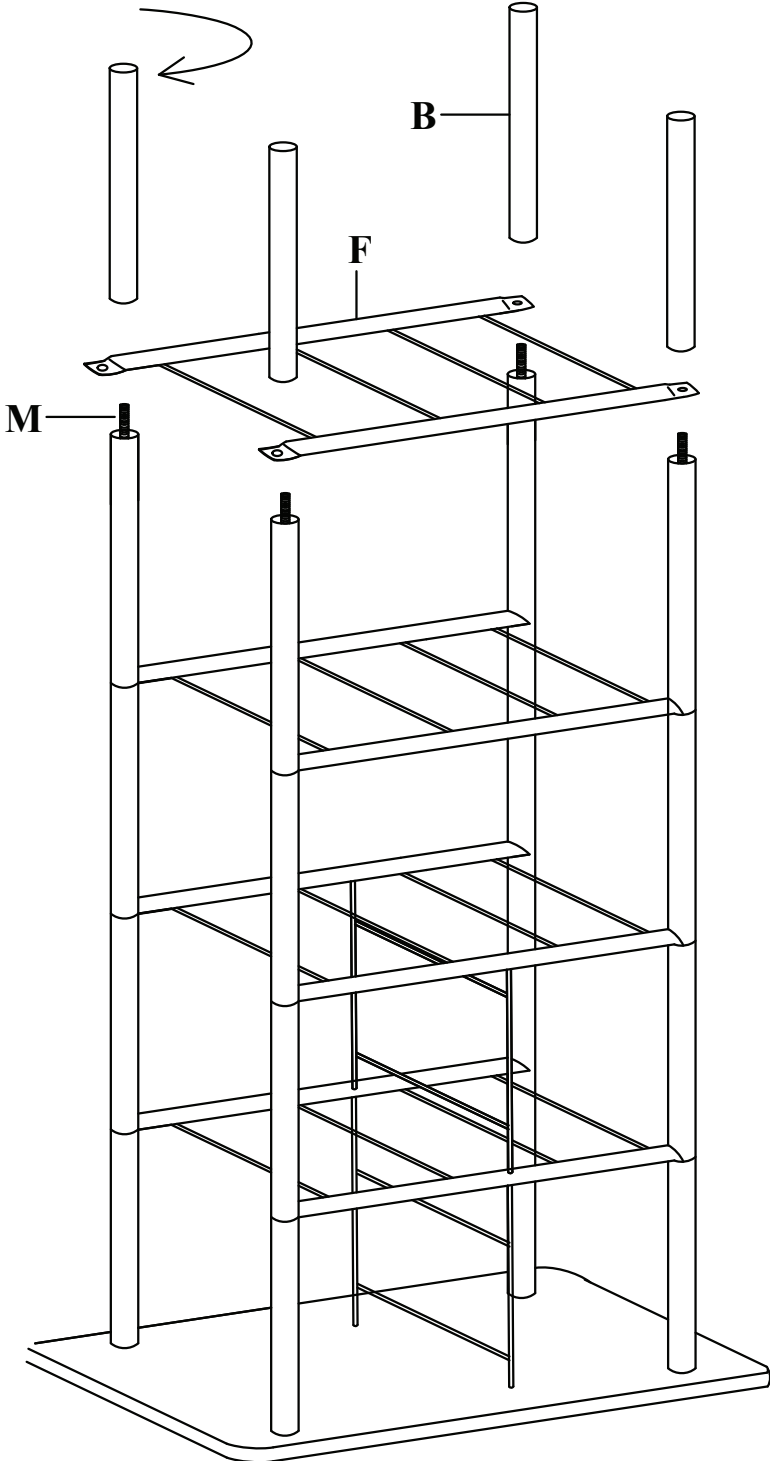
STEP 8

**SCREW CLOCKWISE
CONNECTOR BOLTS (M)
INTO MIDDLE SPINDLES (B)
AS SHOWN.**



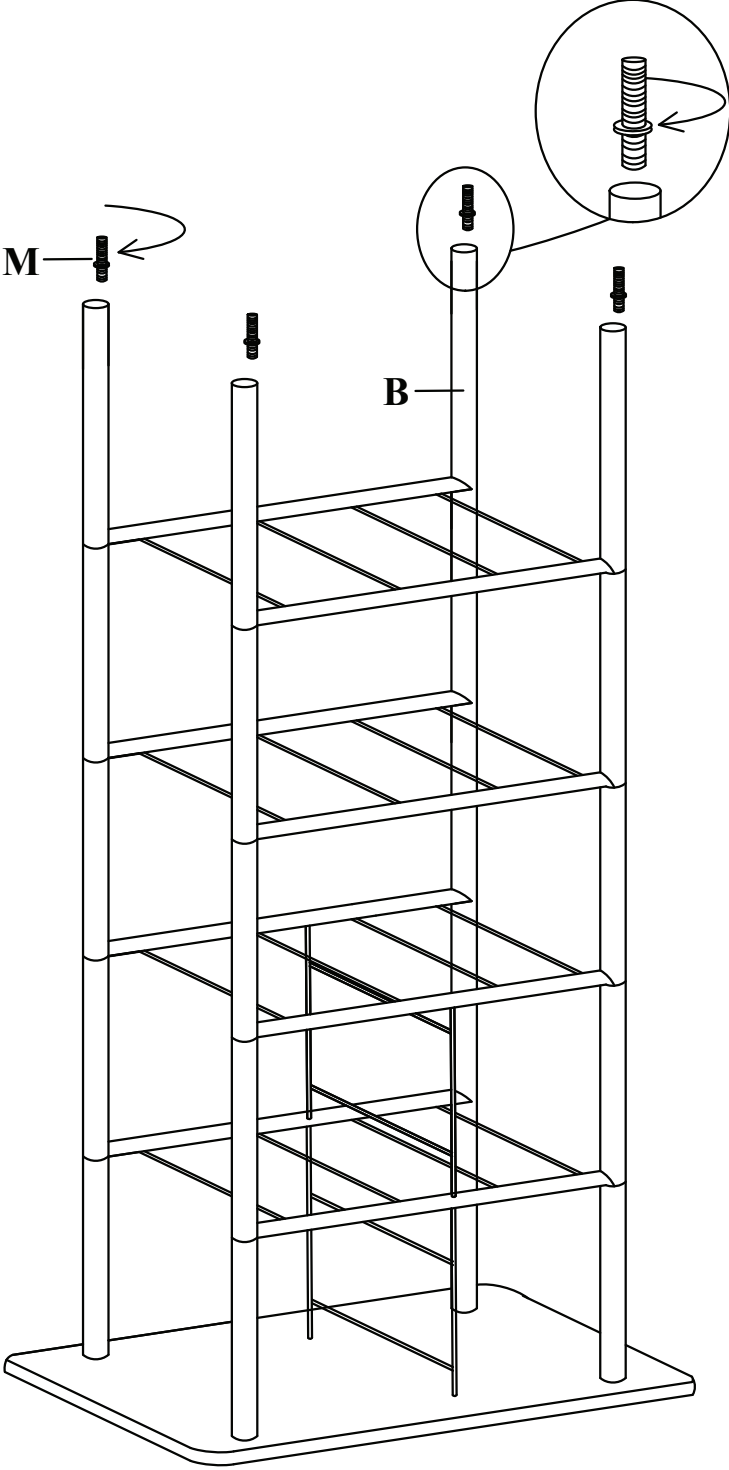
STEP 9

ATTACH BOTTOM SHELF (F) TO CONNECTOR BOLTS (M) USING MIDDLE SPINDLES (B) AS SHOWN.



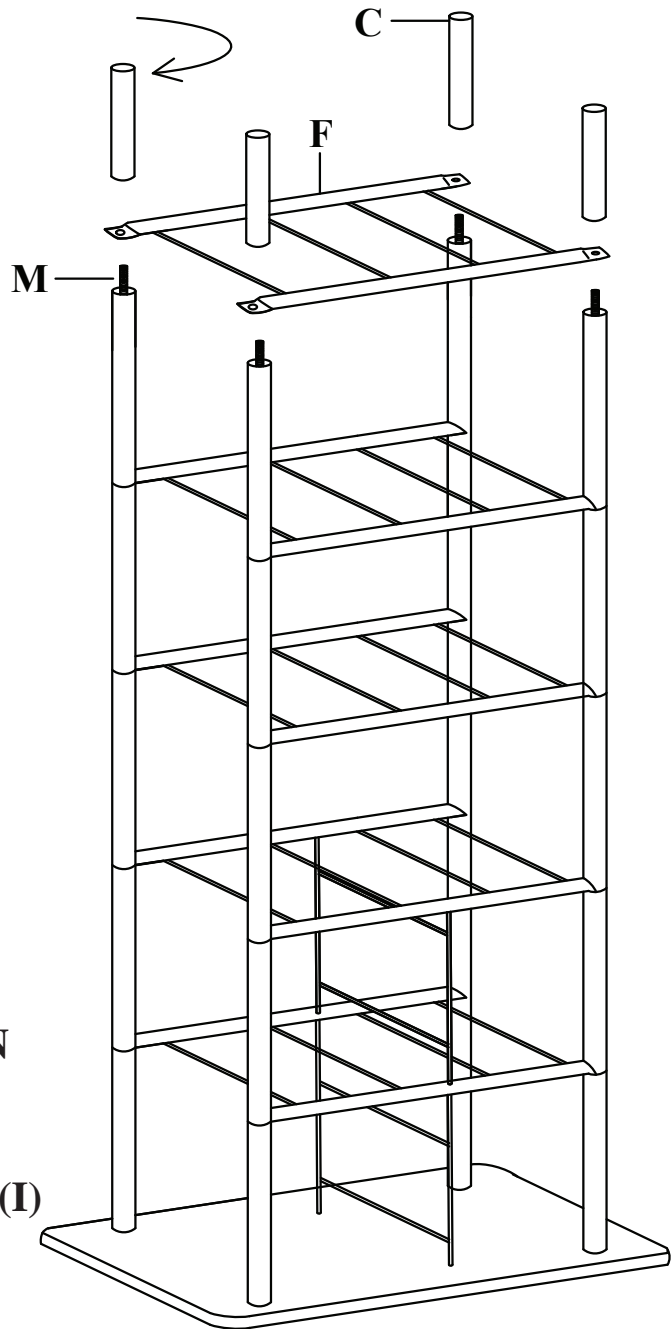
STEP 10

SCREW CLOCKWISE CONNECTOR BOLTS (M) INTO MIDDLE SPINDLES (B) AS SHOWN.



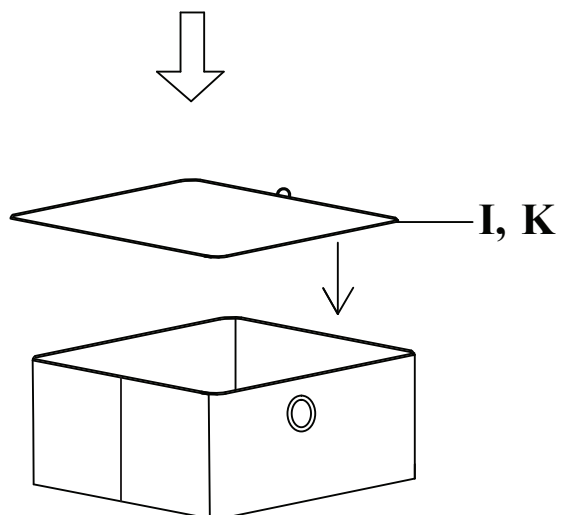
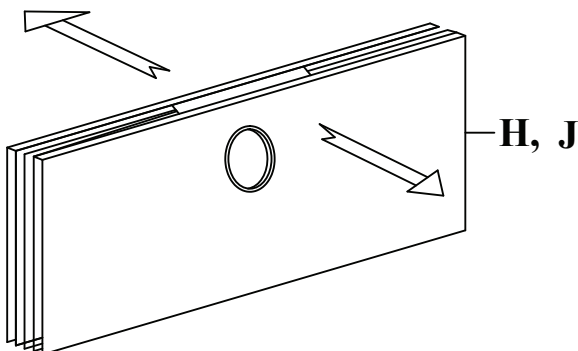
STEP 11

**ATTACH BOTTOM SHELF (F)
TO CONNECTOR BOLTS (M)
USING FEET (C) AS SHOWN.**



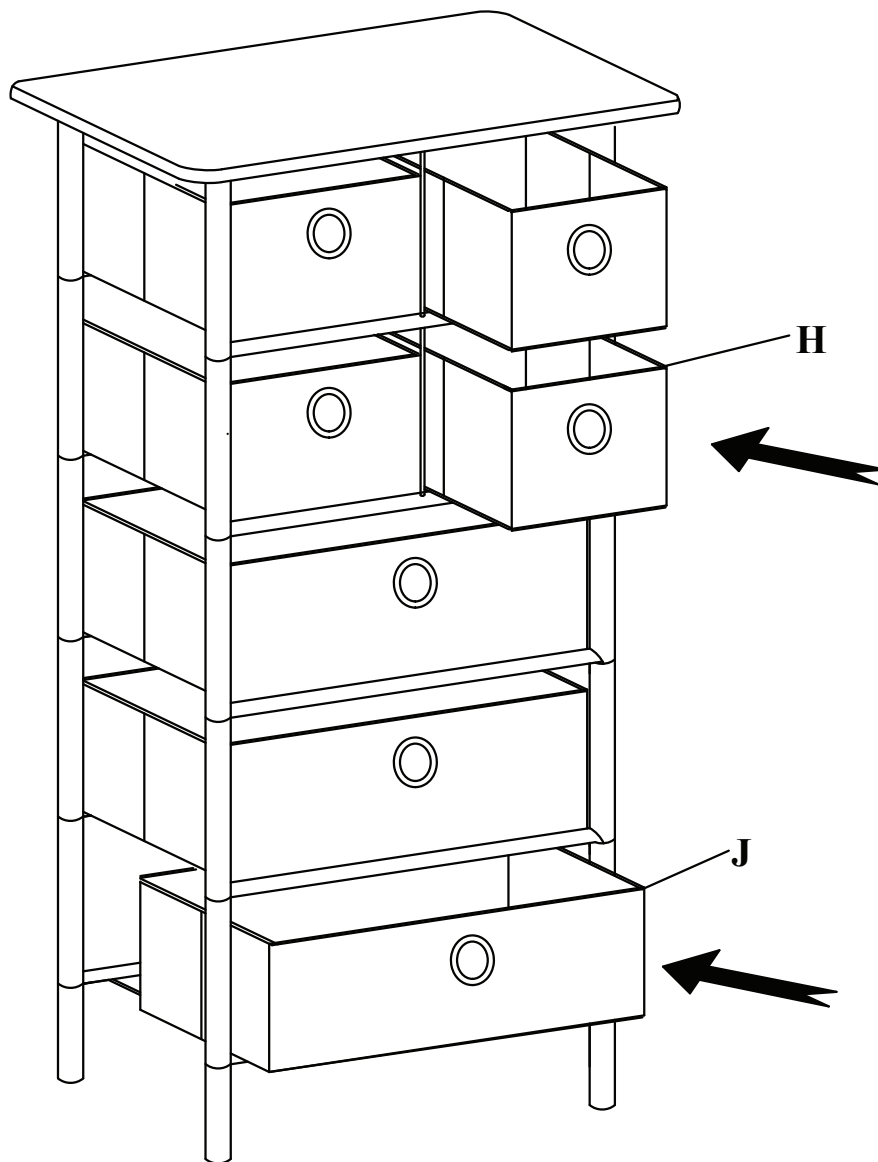
STEP 12

**UNFOLD SMALL NON-WOVEN
BIN (H) AND LARGE
NON-WOVEN BIN (J), PUT
SMALL BOTTOM BIN BOARD (I)
AND LARGE BOTTOM BIN
BOARD (K) ONTO SMALL
NON-WOVEN BIN (H) AND
LARGE NON-WOVEN BIN (J).**



STEP 13

PLACE SMALL NON-WOVEN BINS (H) AND LARGE NON-WOVEN BINS (J) ONTO SHELVES AS SHOW.



Do you have any questions? Missing small parts or hardware?

If you need assistance with the assembly of your 7 BIN STORAGE ORGANIZER please e-mail our Customer Service Department at: support@fourstari.com or call us at (508) 435-4830 or (800) 639-3803

Please include the following information in your email:

- Where item was purchased
- Item, model, style or SKU number listed on instructions or box
- Part number, description of the part and quantity needed

This information will help us get the proper part to you faster