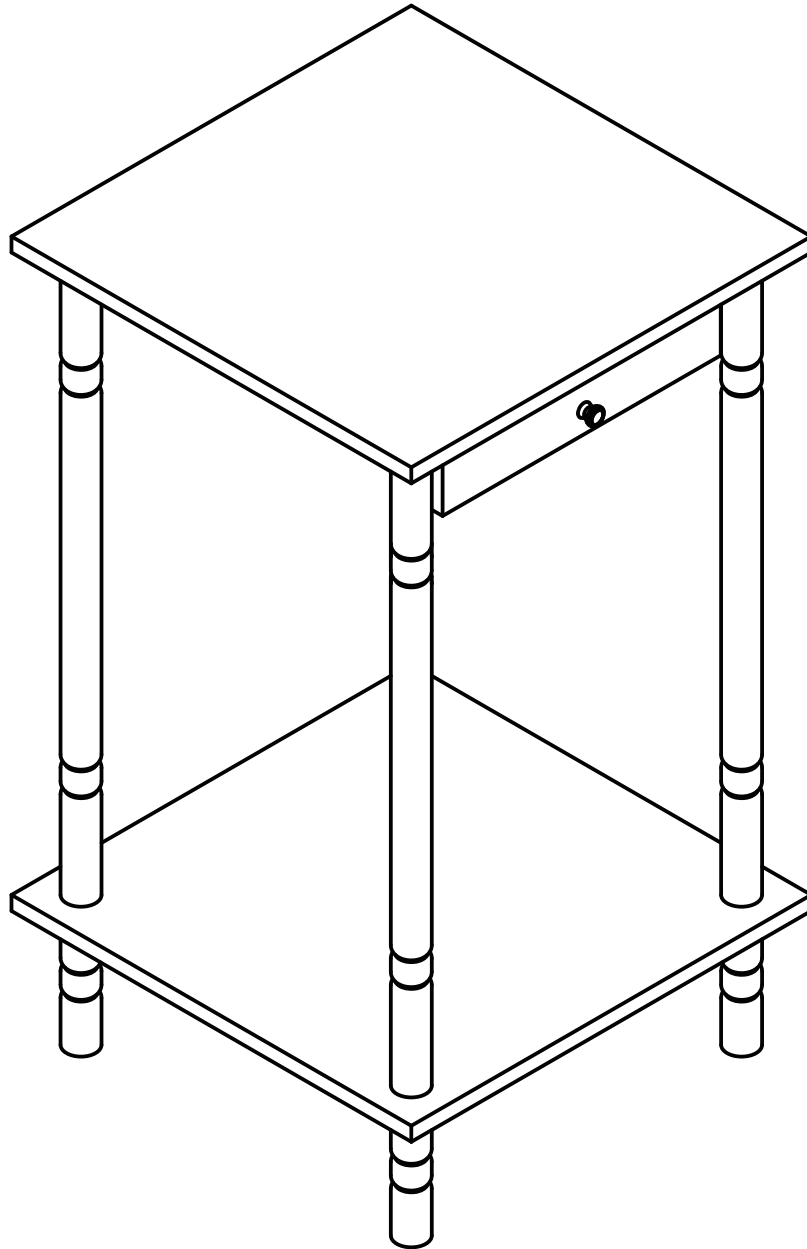




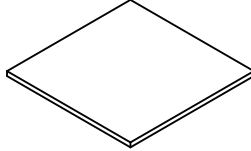
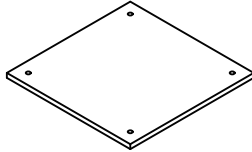
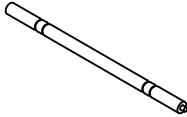

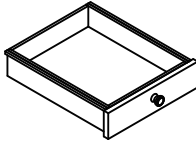
fourstargroup



MODEL: 11222303

**END TABLE WITH DRAWER**

## PARTS AND HARDWARE

NO	HARDWARE LIST	QTY
A	TOP PANEL 	1 PC
B	BOTTOM PANEL 	1 PC
C	SPINDLE 	4 PCS
D	LEG 	4 PCS
E	DRAWER 	1 PC

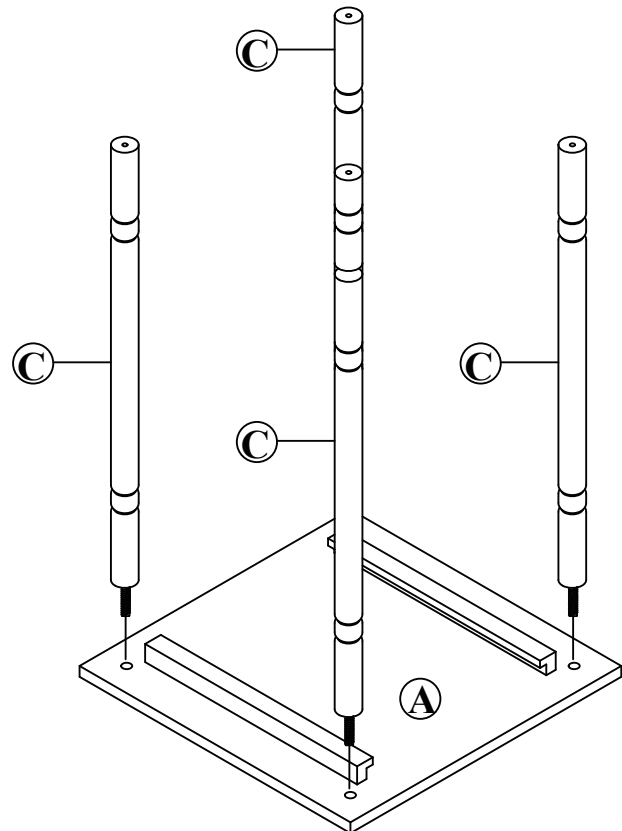
**CAUTION:**

- 1. READ THIS INSTRUCTION MANUAL BEFORE YOU ASSEMBLE.**
- 2. ASSEMBLE ON SOFT SURFACE TO PREVENT DAMAGE TO FINISH OF TABLE.**

# ASSEMBLY INSTRUCTIONS

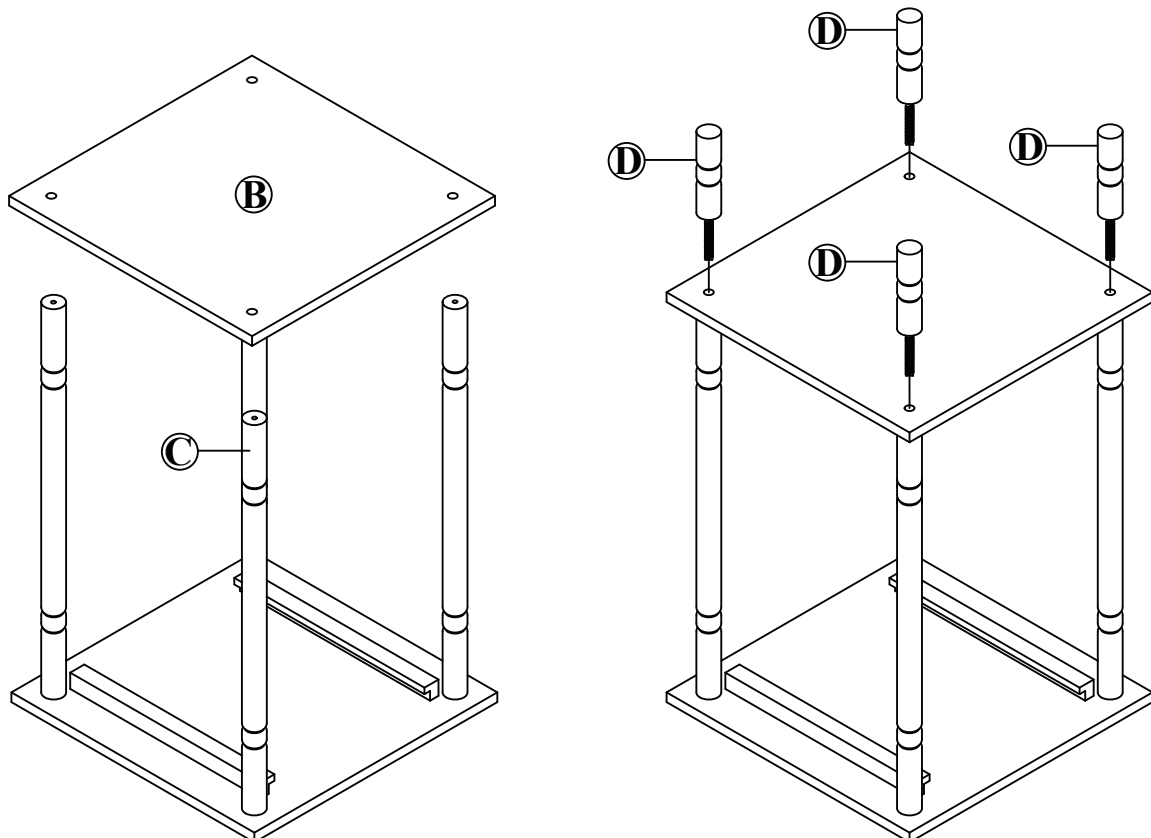
## STEP 1

ATTACH SPINDLES (C) TO TOP PANEL (A) AS SHOWN.



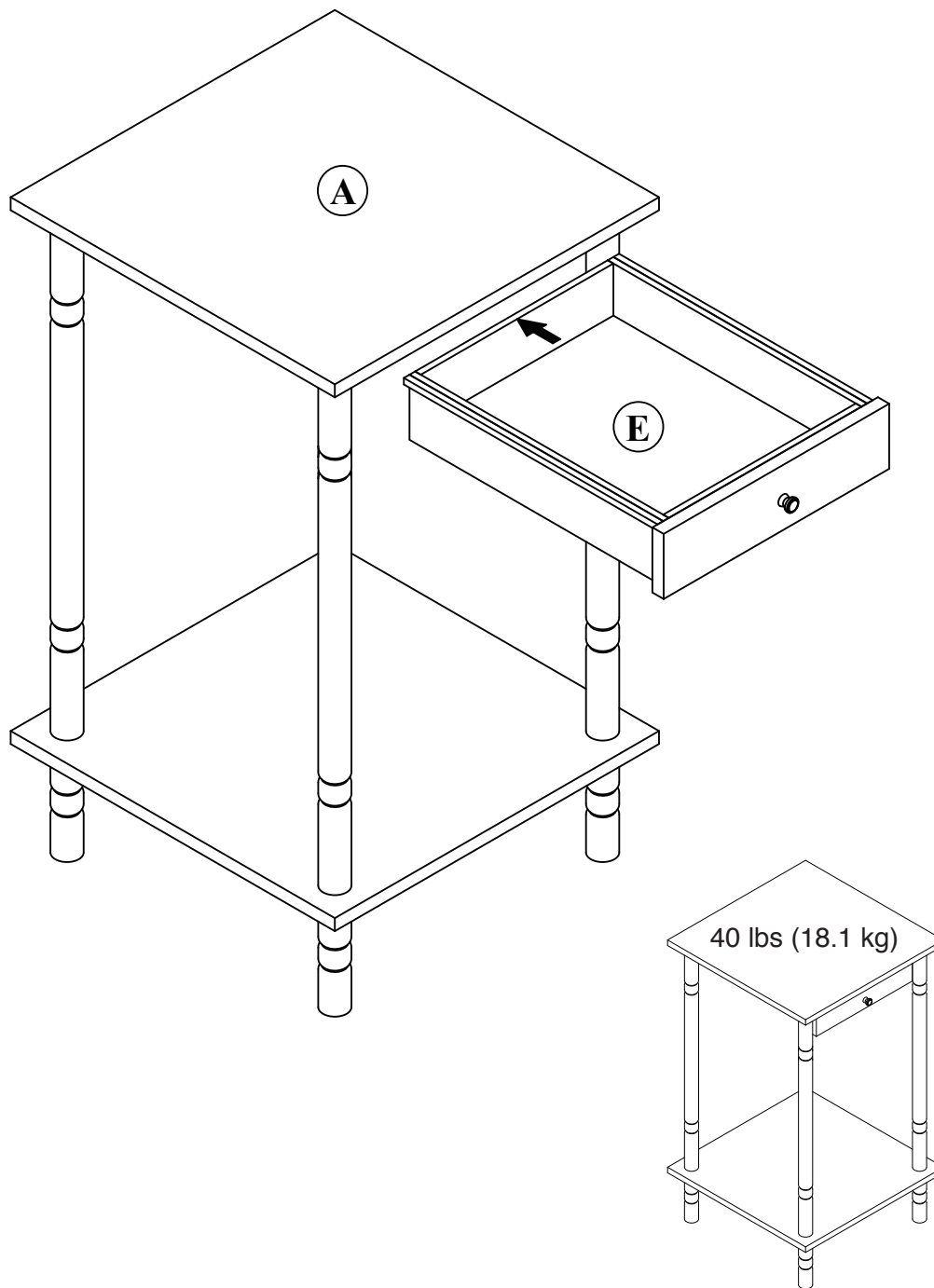
## STEP 2

ATTACH BOTTOM PANEL (B) TO SPINDLES (C) USING LEGS (D) AS SHOWN.



### STEP 3

**SLIDE DRAWER (E) INTO TOP PANEL (A) AS SHOWN.**



Weight Limitation 40 lbs (18.1 kg)

Do you have any questions? Missing small parts or hardware?  
If you need assistance with the assembly of your END TABLE  
WITH DRAWER please e-mail our Customer Service  
Department at: [support@fourstari.com](mailto:support@fourstari.com)  
or call us at (508) 435-4830  
or (800) 639-3803

Please include the following information in your email:

- Where item was purchased
- Item, model, style or SKU number listed on instructions or box
- Part number, description of the part and quantity needed

This information will help us get the proper part to you faster