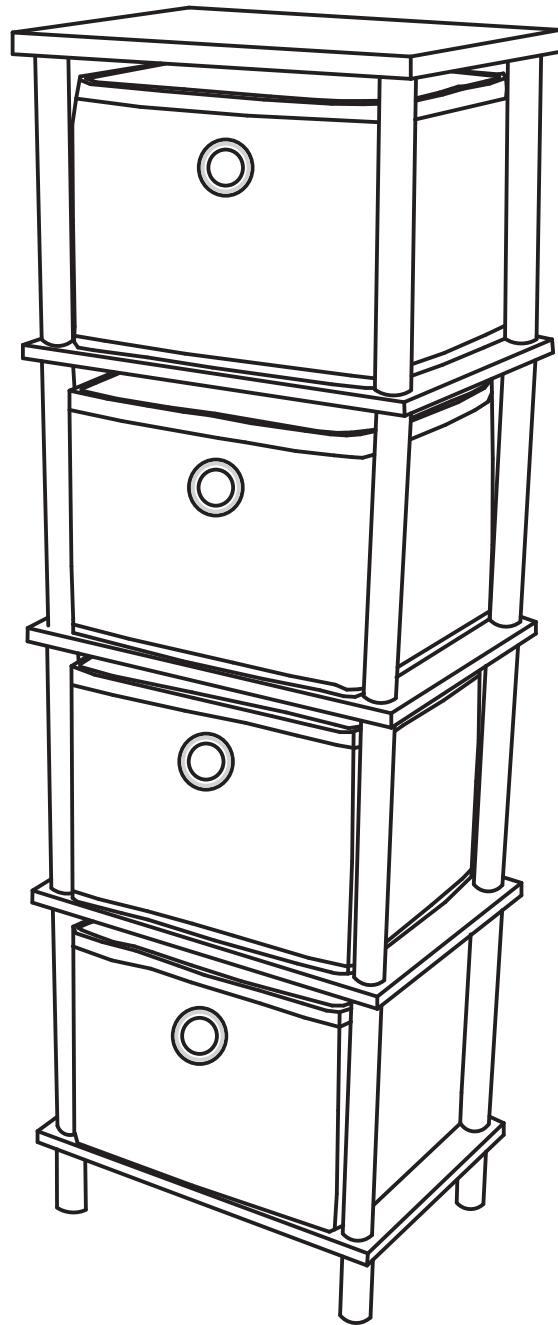




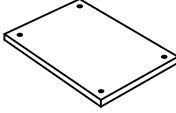
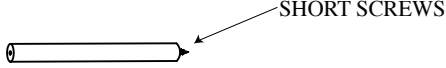

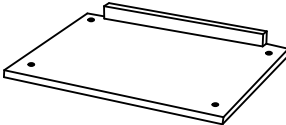
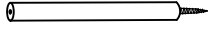
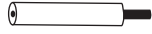
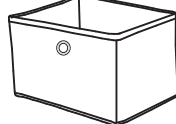
fourstargroup

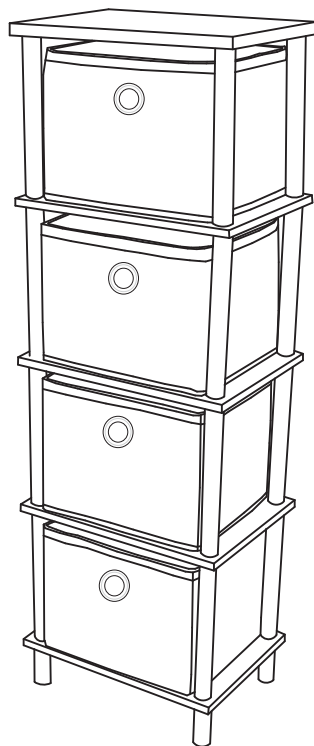


MODEL: 11222299DT

# 4 BIN WOODEN STORAGE ORGANIZER

# PARTS AND HARDWARE

<b>A</b>	<b>TOP PANEL (1PC)</b>	
<b>B</b>	<b>TOP SPINDLE – SHORT WOOD SCREWS ON ENDS (4PCS)</b> <b>(*NOTE: IMPORTANT TO USE THESE WHERE SHOWN OR SCREWS CAN GO THROUGH TOP OF ITEM.)</b>	
<b>C</b>	<b>MIDDLE SPINDLE (8PCS)</b>	
<b>D</b>	<b>SHELF (4PCS)</b>	
<b>E</b>	<b>MIDDLE SPINDLE WITH NUT (4PCS)</b>	
<b>F</b>	<b>FOOT SPINDLE WITH BOLT (4PCS)</b>	
<b>G</b>	<b>BIN (4PCS)</b>	

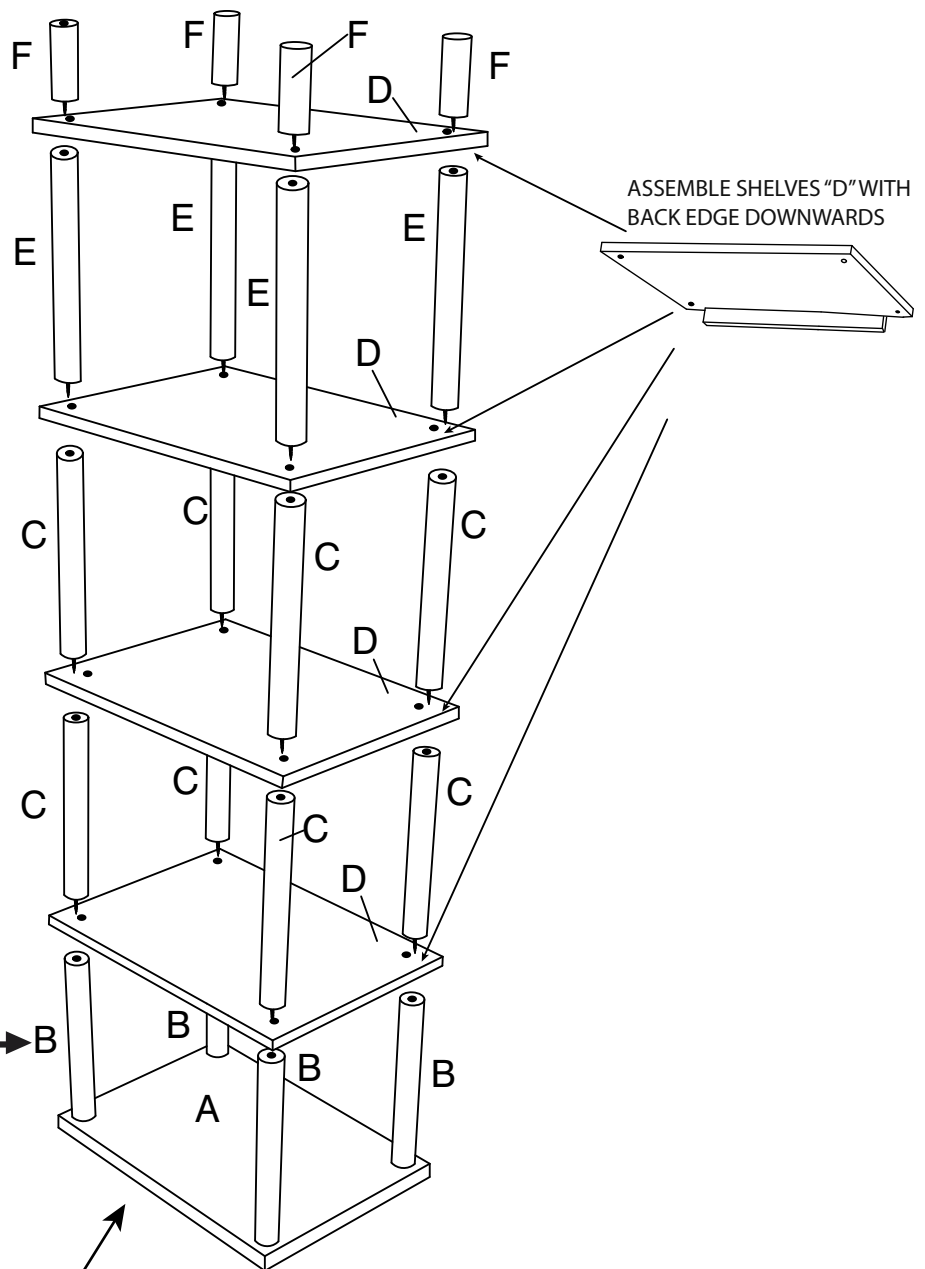
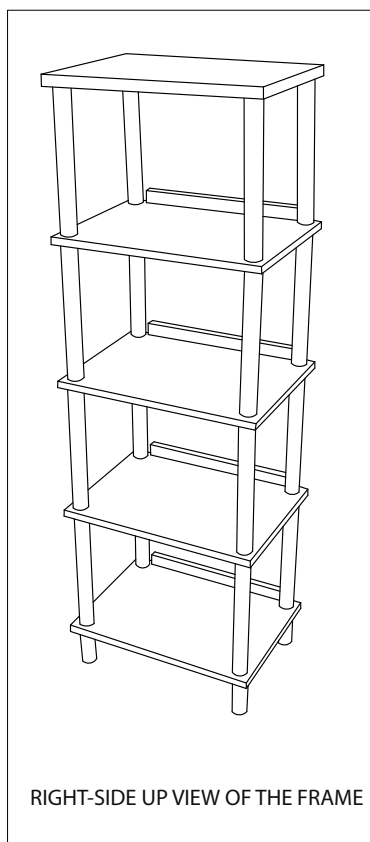


**STEP 1:**

**1.1 PLACE TOP PANEL (A) ON SMOOTH SURFACE, SCREW TOP SPINDLES (B) ON TOP PANEL (A) AS SHOWN.**

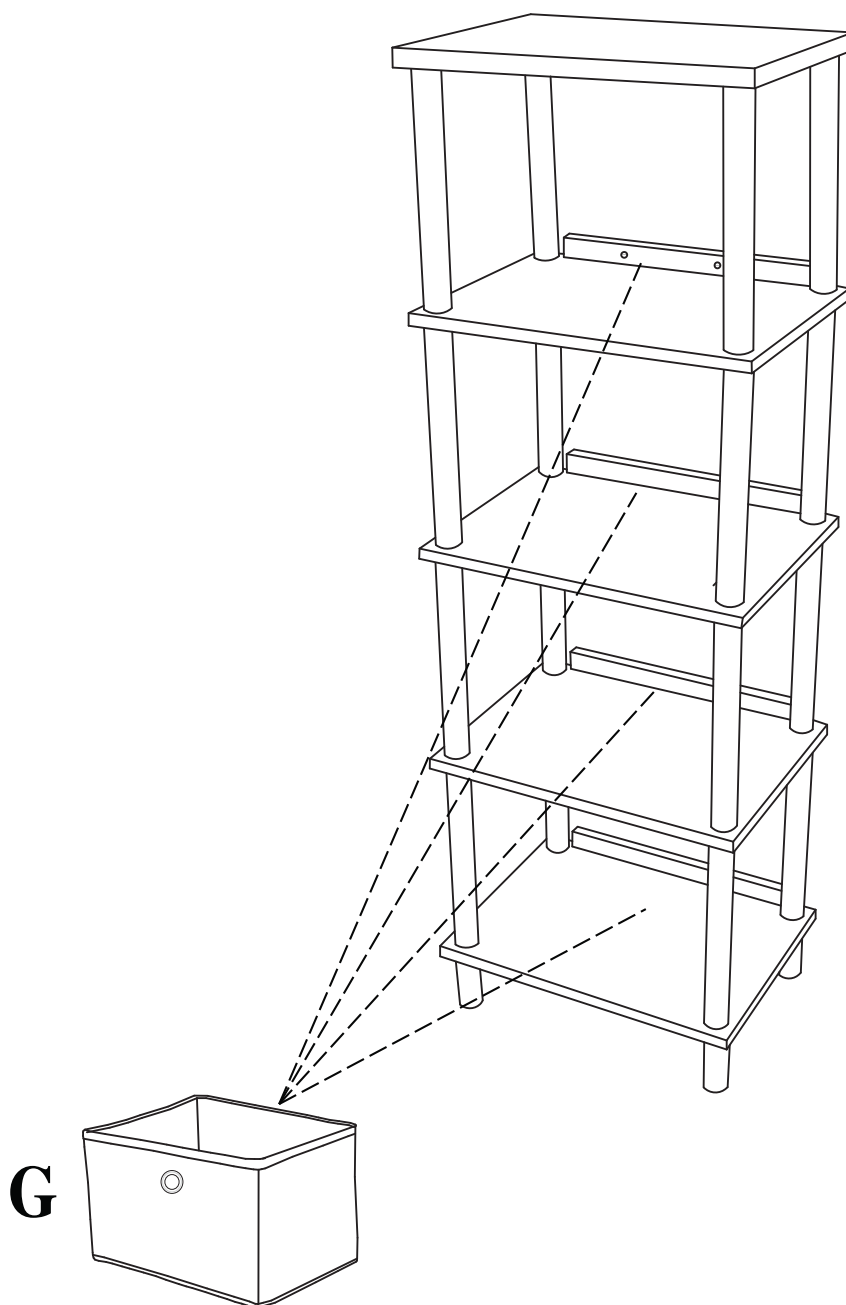
**1.2 ATTACH SHELVES (D) USING MIDDLE SPINDLES (C) AND MIDDLE SPINDLE WITH NUT (E) AS SHOWN.**

**1.3 SCREW FOOT SPINDLES WITH BOLT (F) ON SHELF (D) AS SHOWN.**



ASSEMBLE "STEP2" WITH UNIT TOP UPSIDE DOWN ON SOFT SURFACE

**STEP 2:  
PUT BINS (G) ON EACH SHELF.**



Do you have any questions? Missing small parts or hardware?  
If you need assistance with the assembly of your 4 BIN WOODEN  
STORAGE ORGANIZER please e-mail our Customer Service  
Department at: [support@fourstari.com](mailto:support@fourstari.com)  
or call us at (508) 435-4830  
or (800) 639-3803

- Please include the following information in your email:
- Where item was purchased
  - Item, model, style or SKU number listed on instructions or box
  - Part number, description of the part and quantity needed

This information will help us get the proper part to you faster