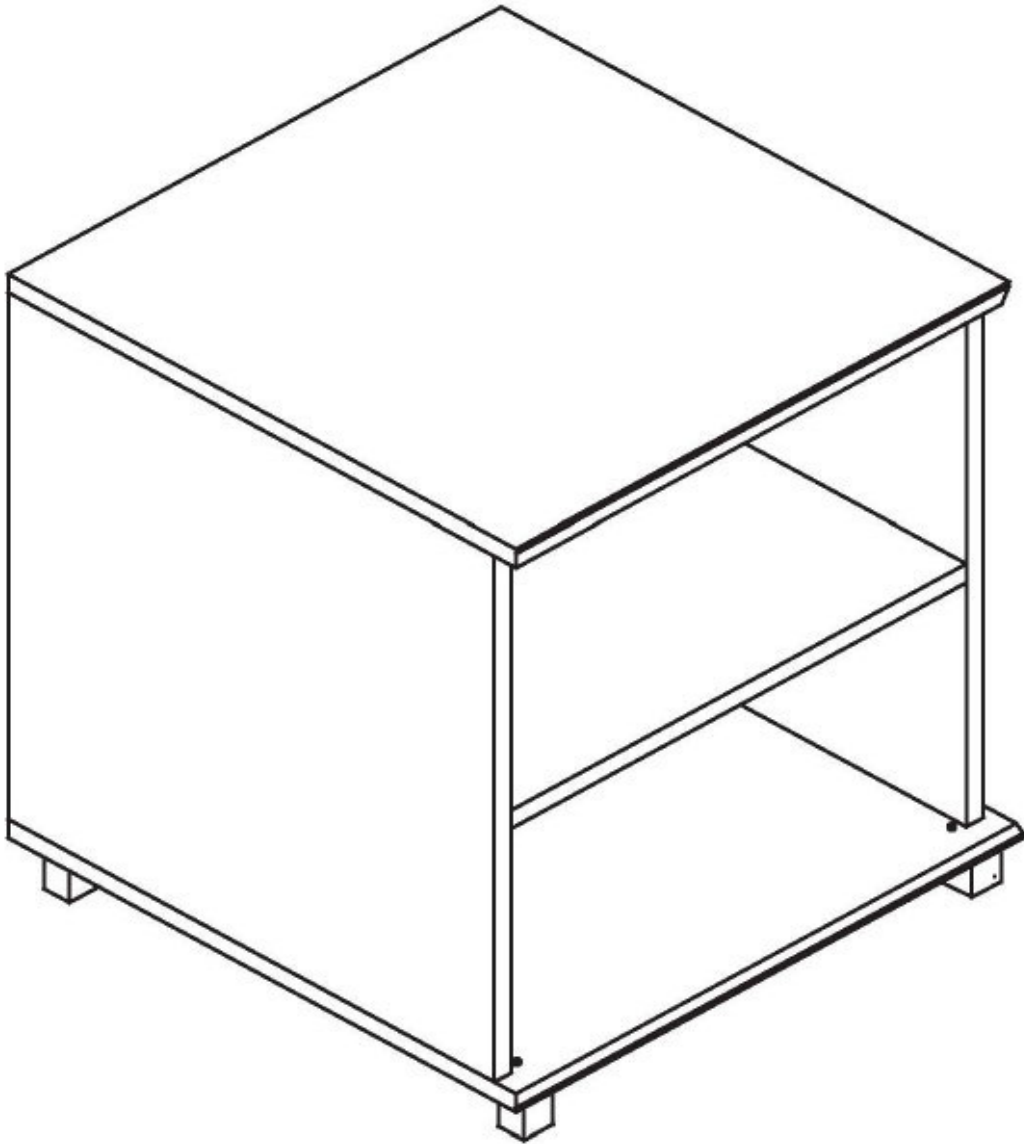















fourstargroup



MODEL: 11221735

2 SHELF STORAGE CUBE

PARTS AND HARDWARE

NO	HARDWARE LIST	QTY
A	BOTTOM PANEL 	1 PC
B	LEFT SIDE PANEL 	1 PC
C	RIGHT SIDE PANEL 	1 PC
D	MIDDLE PANEL 	1 PC
E	REAR PANEL 	1 PC
F	TOP PANEL 	1 PC
G	LEG NUT 	4 PCS
H	LONG SCREW 	4 PCS
I ₁	SHORT WOOD DOWEL 	12 PCS
I ₂	LONG WOOD DOWEL 	4 PCS
J	SHORT SCREW 	8 PCS

BEFORE YOU BEGIN, PLEASE READ ASSEMBLY INSTRUCTIONS CAREFULLY. FOLLOW THEM STEP BY STEP.

CAUTION :

- 1. ADULT SUPERVISION IS REQUIRED DUE TO SMALL PARTS. CARE SHOULD BE TAKEN IN THE UNPACKING AND ASSEMBLY OF THE PRODUCT.**
- 2. ASSEMBLE ON SOFT SURFACES TO PREVENT DAMAGE TO THE PRODUCT FINISH.**
- 3. MAKE SURE ALL PARTS ARE INCLUDED BEFORE ASSEMBLY.**

ASSEMBLY TOOLS REQUIRED :

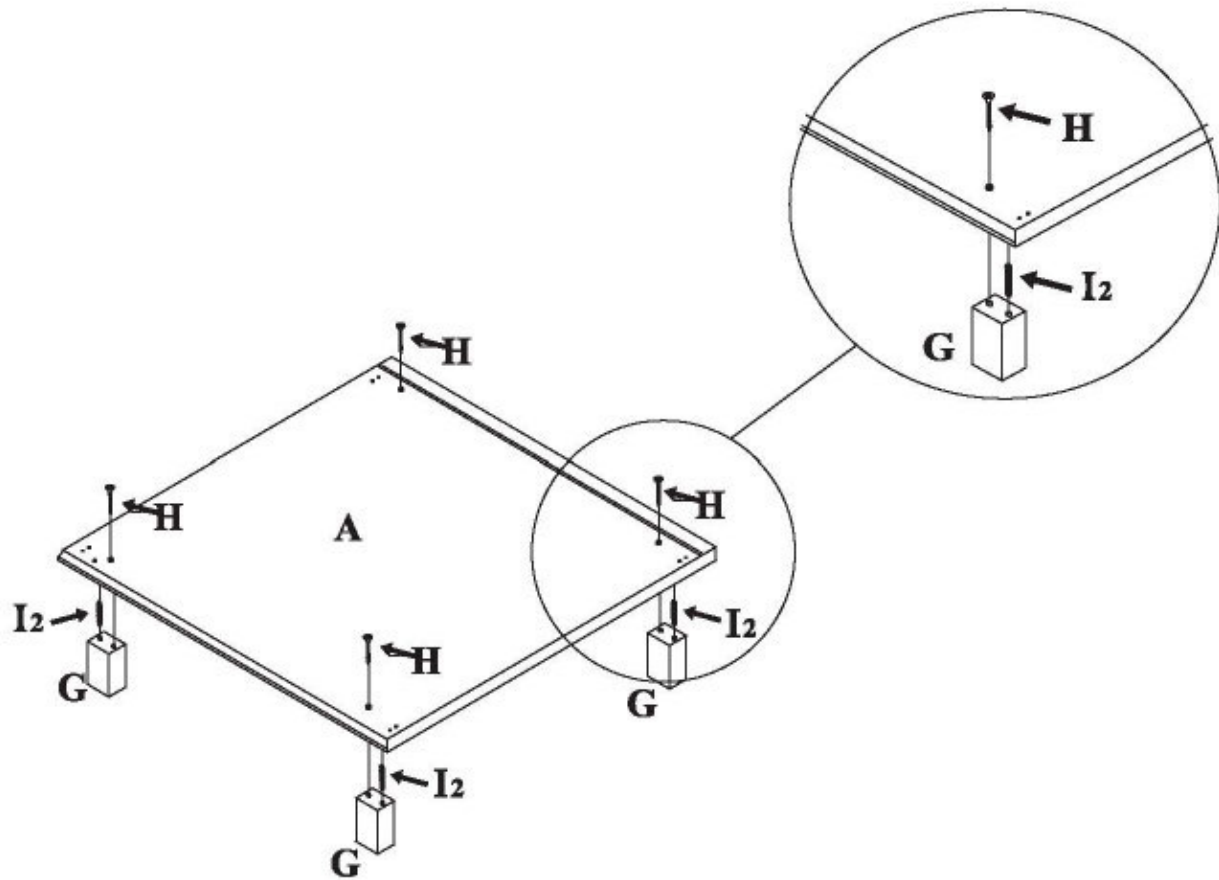
**PHILLIPS
SCREWDRIVER**



ASSEMBLY INSTRUCTIONS

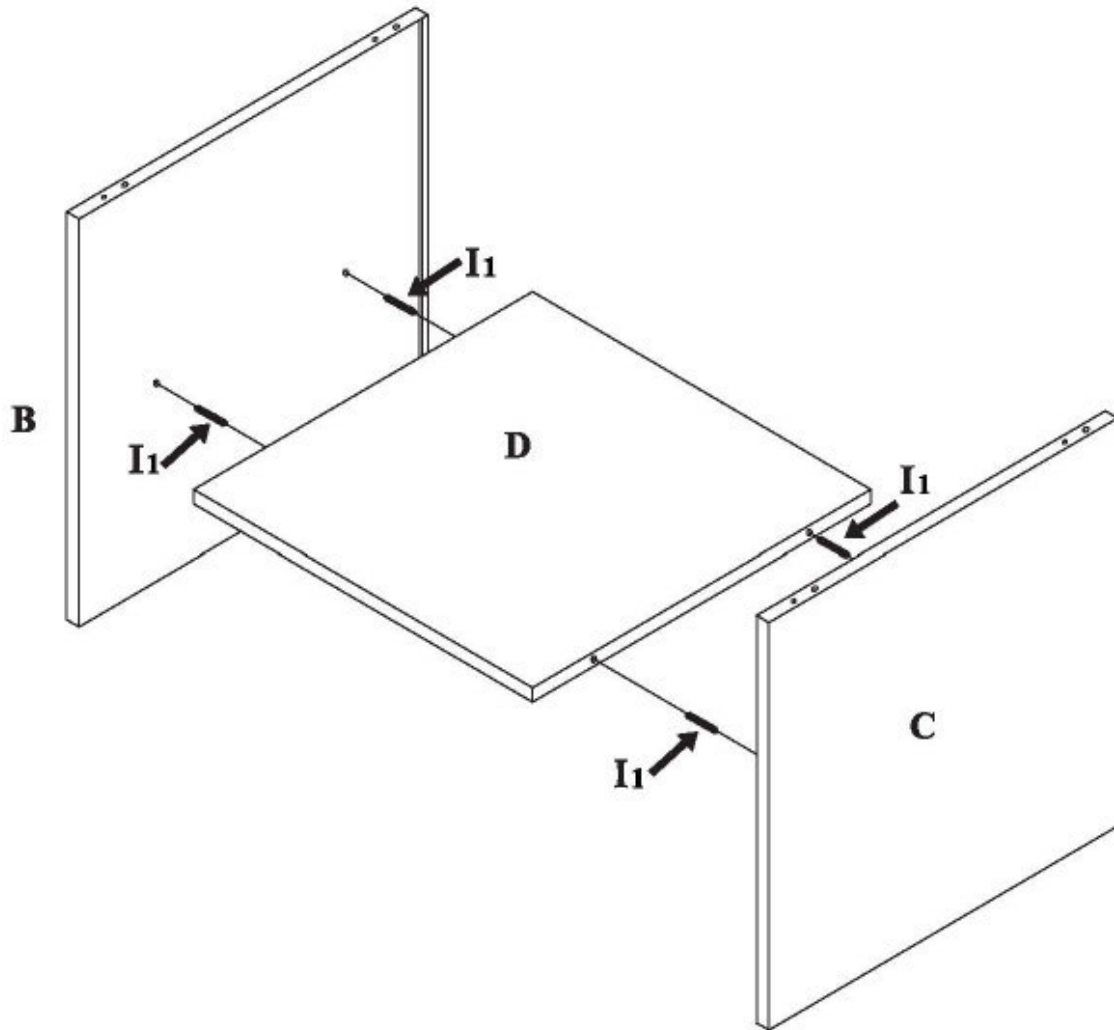
STEP 1

ATTACH LEG NUT (G) TO THE BACK OF BOTTOM PANEL (A) USING LONG SCREW (H) AND LONG WOOD DOWEL (I₂) AS SHOWN.



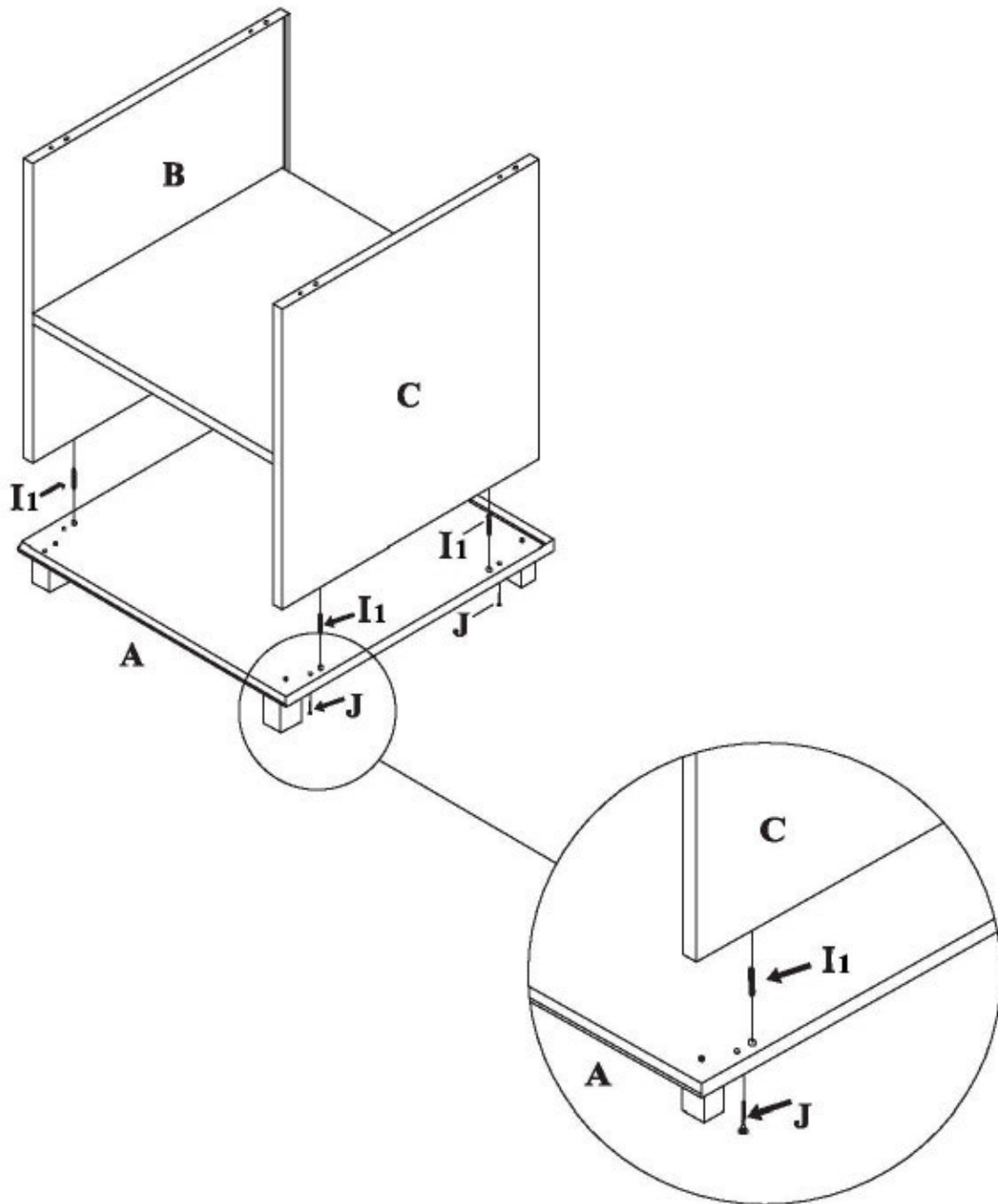
STEP 2

ATTACH MIDDLE PANEL (D) TO LEFT SIDE PANEL (B) AND RIGHT SIDE PANEL (C) USING SHORT WOOD DOWEL (I₁) AS SHOWN.



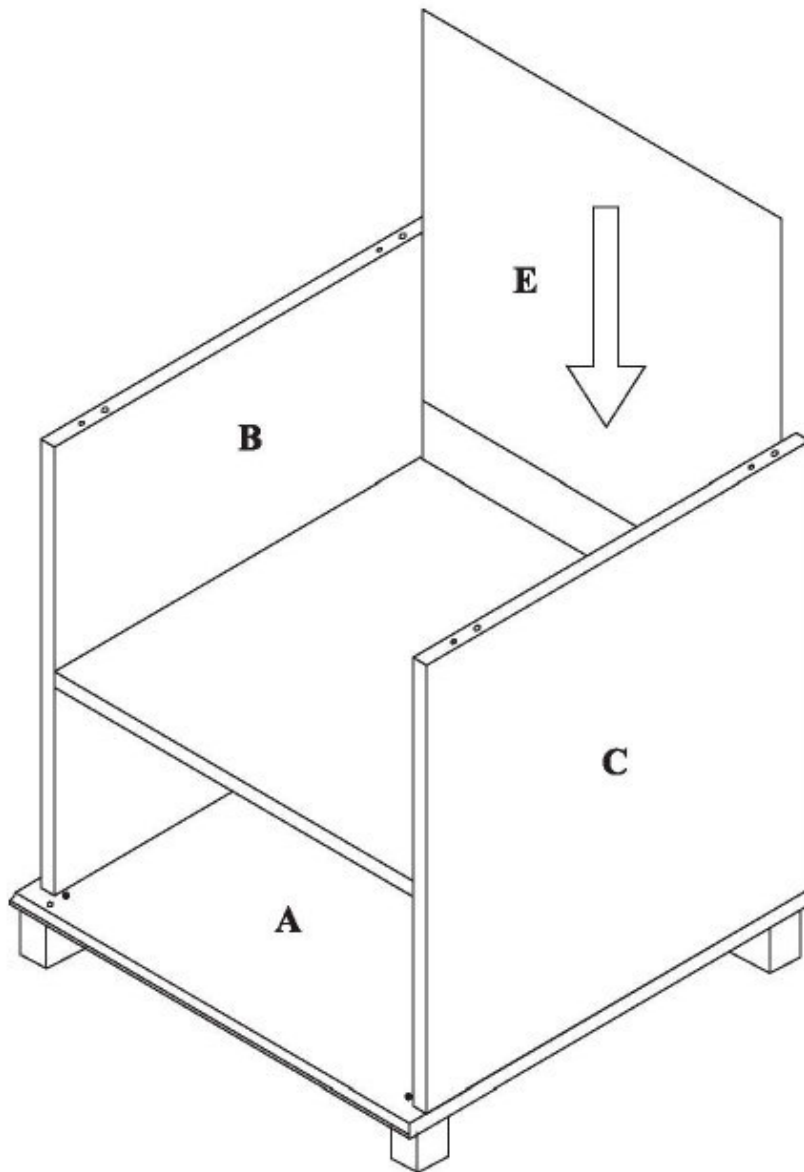
STEP 3

**ATTACH LEFT SIDE PANEL (B) AND RIGHT SIDE PANEL (C) TO
BOTTOM PANEL (A) USING SHORT WOOD DOWEL (I₁) AND SHORT
SCREW (J) AS SHOWN.**



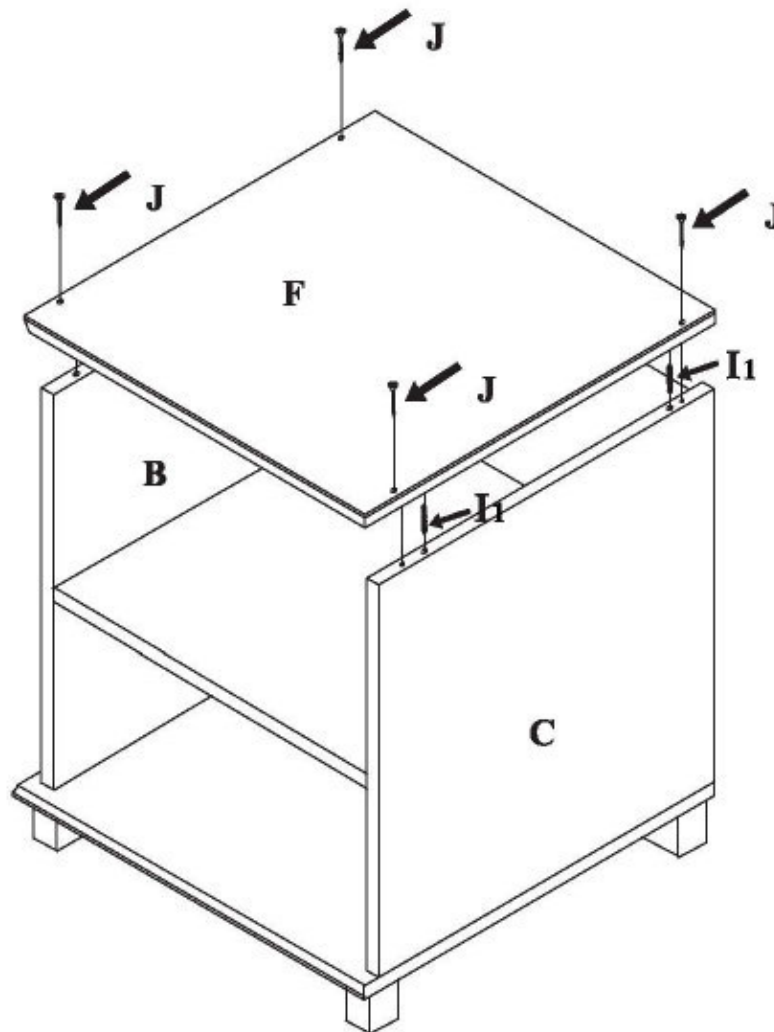
STEP 4

INSERT REAR PANEL (E) TO LEFT SIDE PANEL (B), RIGHT SIDE PANEL (C) AND BOTTOM PANEL (A) THROUGH THE GROOVES AS SHOWN.



STEP 5

ATTACH TOP PANEL (F) TO LEFT SIDE PANEL (B) AND RIGHT SIDE PANEL (C) USING SHORT WOOD DOWEL (I₁), SHORT SCREW (J) AS SHOWN.



Do you have any questions? Missing small parts or hardware?
If you need assistance with the assembly of your 2 SHELF
STORAGE CUBE please e-mail our Customer Service
Department at:
support@fourstari.com
or call us at (508) 435-4830
or (800) 639-3803

Please include the following information in your email:

- Where item was purchased
- Item, model, style or SKU number listed on instructions or box
- Part number, description of the part and quantity needed

This information will help us get the proper part to you faster