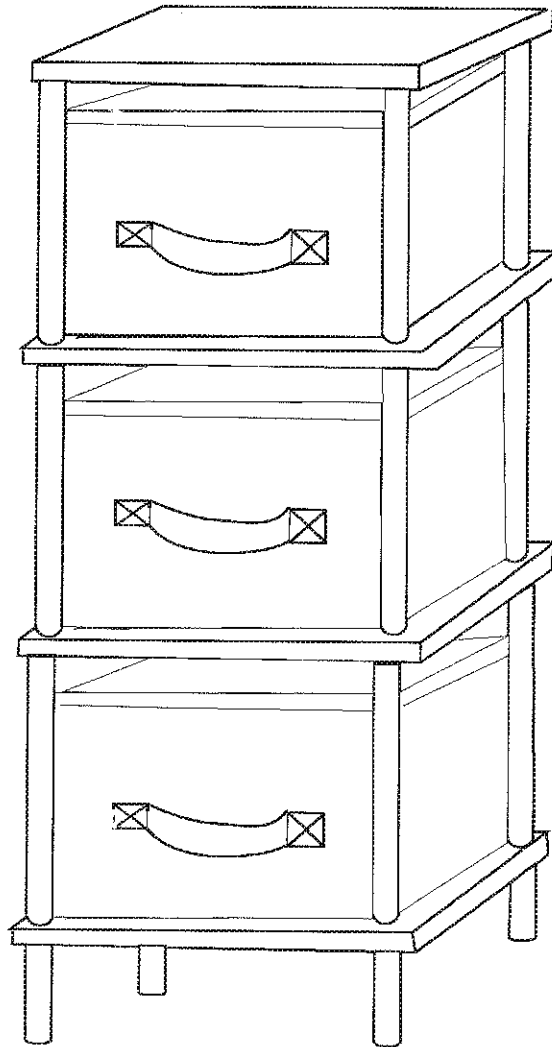





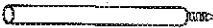


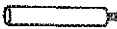
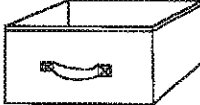
fourstargroup

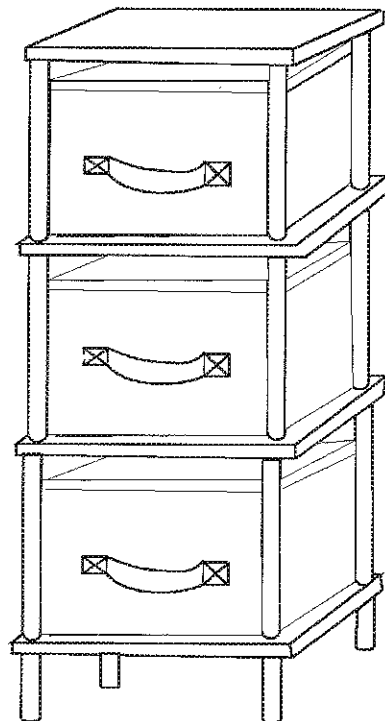


MODEL: 11221668

3 BINS
STORAGE ORGANIZER

PARTS

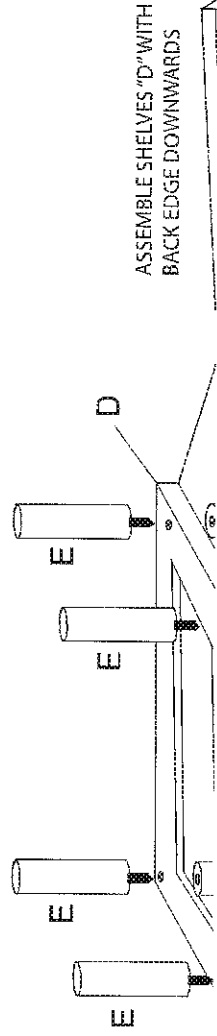
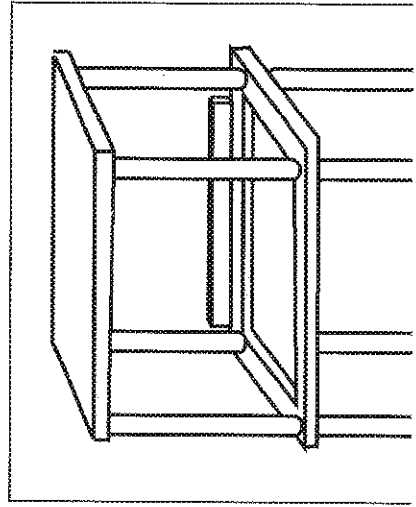
NO	HARDWARE & PART LIST	QTY
A	Top Panel 	1PC
B	Top Spindle (Short Screw) 	4PCS
C	Middle Spindle (Long Screw) 	8PCS
D	Shelf 	3PCS
E	Foot Spindle 	4PCS
F	Bin 	3PCS



ASSEMBLY INSTRUCTIONS

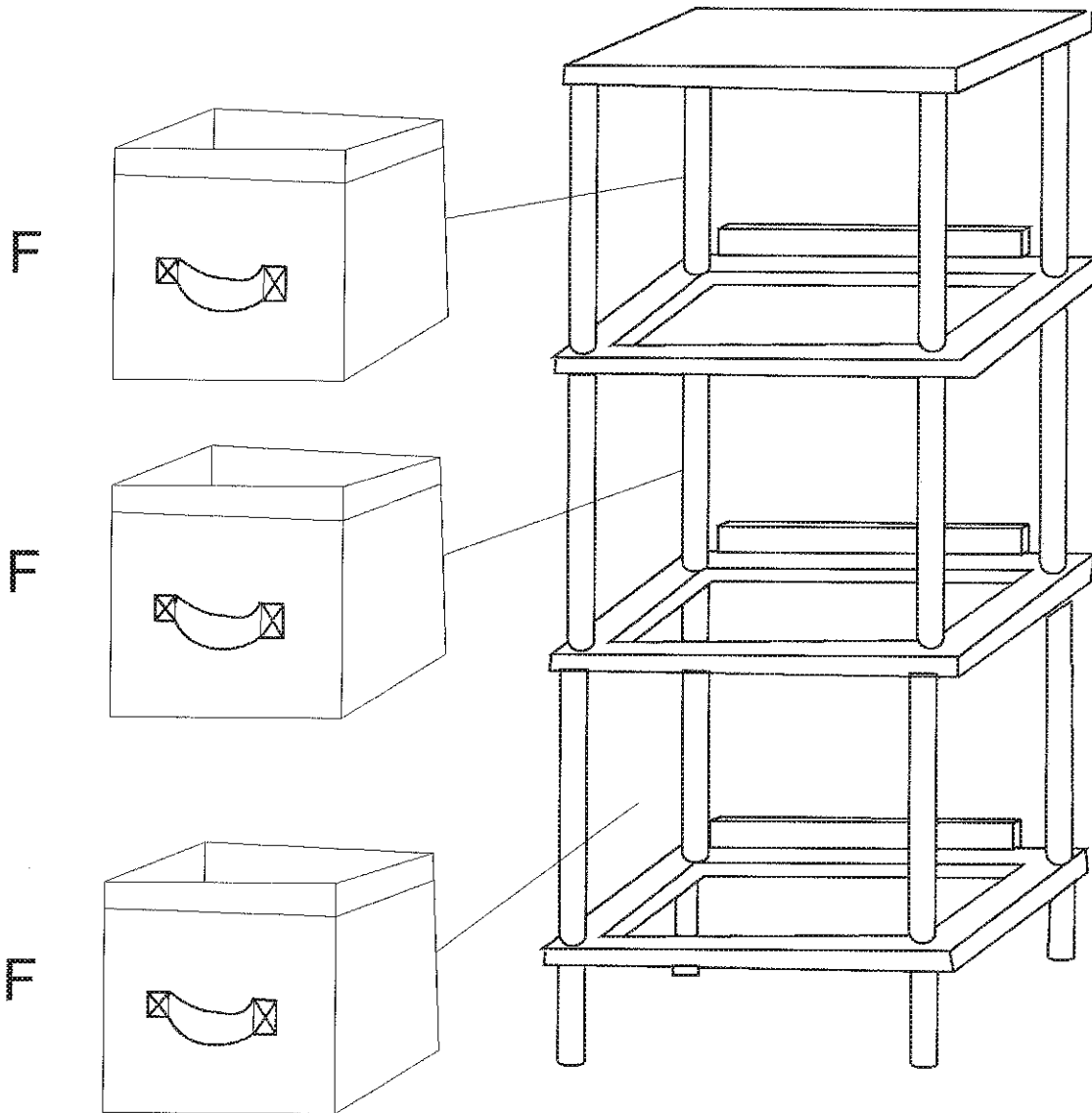
STEP 1

- 1.1 Place Top Panel (A) on smooth surface, screw Top Spindles (B) on Top Panel (A) as shown.
- 1.2 Attach Shelves (D) using Middle Spindles (C) as shown.
- 1.3 Screw Foot Spindles (E) on Shelf (D) as shown.



STEP 2

Put bins (F) on each Shelf.



Do you have any questions? Missing small parts or hardware?

If you need assistance with the assembly of your
3 BINS STORAGE ORGANIZER please e-mail our

Customer Service Department at:
support@fourstar1.com
or call us (800) 639-3803

Please include the following information in your email:

- Where item was purchased
- Item, model, style or SKU number listed on instructions or box
- Part number, description of the part and quantity needed

This information will help us get the proper part to you faster