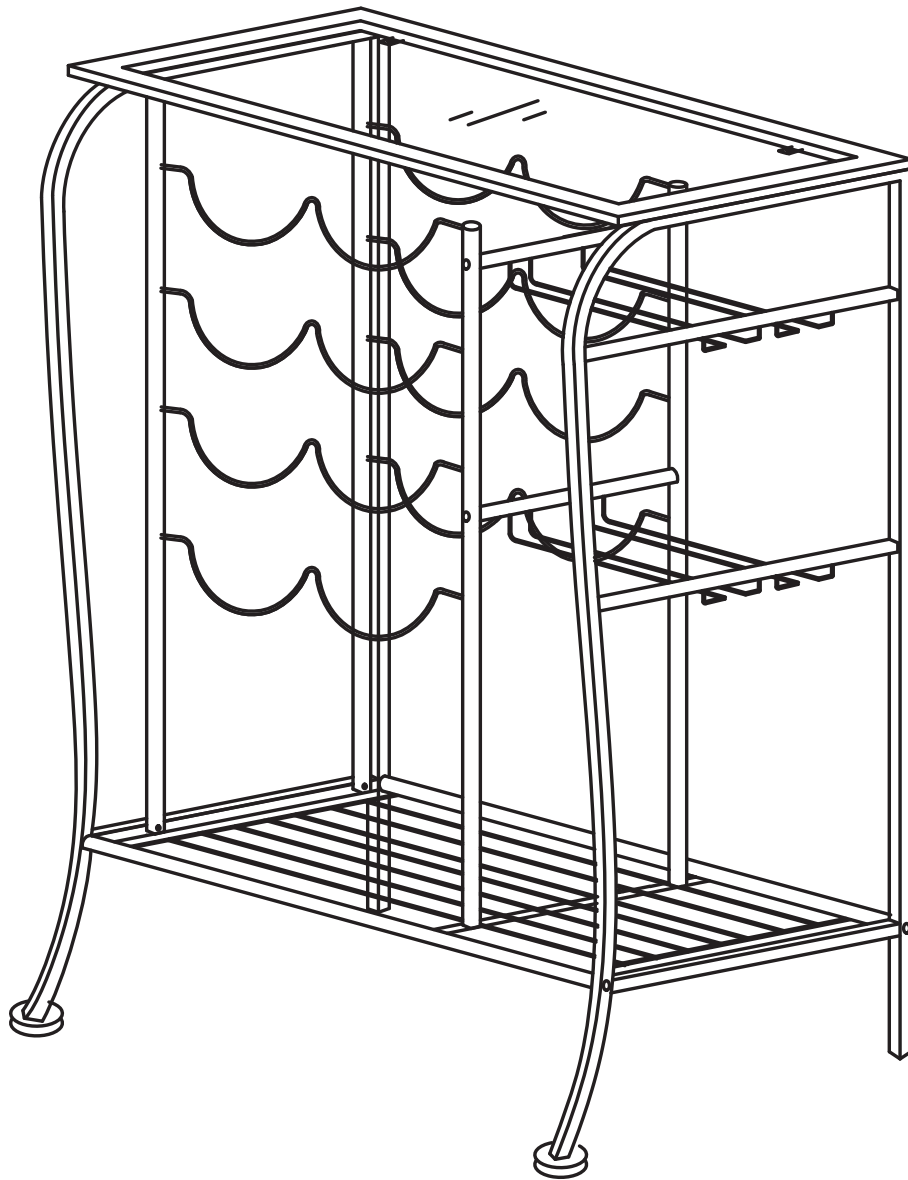





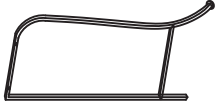
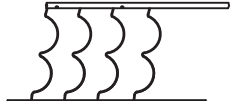






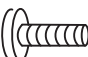


fourstargroup



MODEL: 11221610V

GLASS TOP WINE RACK

PARTS LIST

NO	HARDWARE LIST	QTY
A	LEFT LEG 	1PC
B	RIGHT LEG 	1PC
C	WINE RACK 	2PCS
D	BOTTOM SHELF 	1PC
E	BIG GLASS HOLDER 	1PC
F	SMALL GLASS HOLDER 	1PC
G	TOP FRAME 	1PC
H	GLASS TOP 	1PC
I	SUCTION CUP 	4PCS
J	LONG BOLT (3/4 IN.) 	16PCS
K	SHORT BOLT (1/2 IN.) 	4PCS
L	ALLEN WRENCH 	1PC

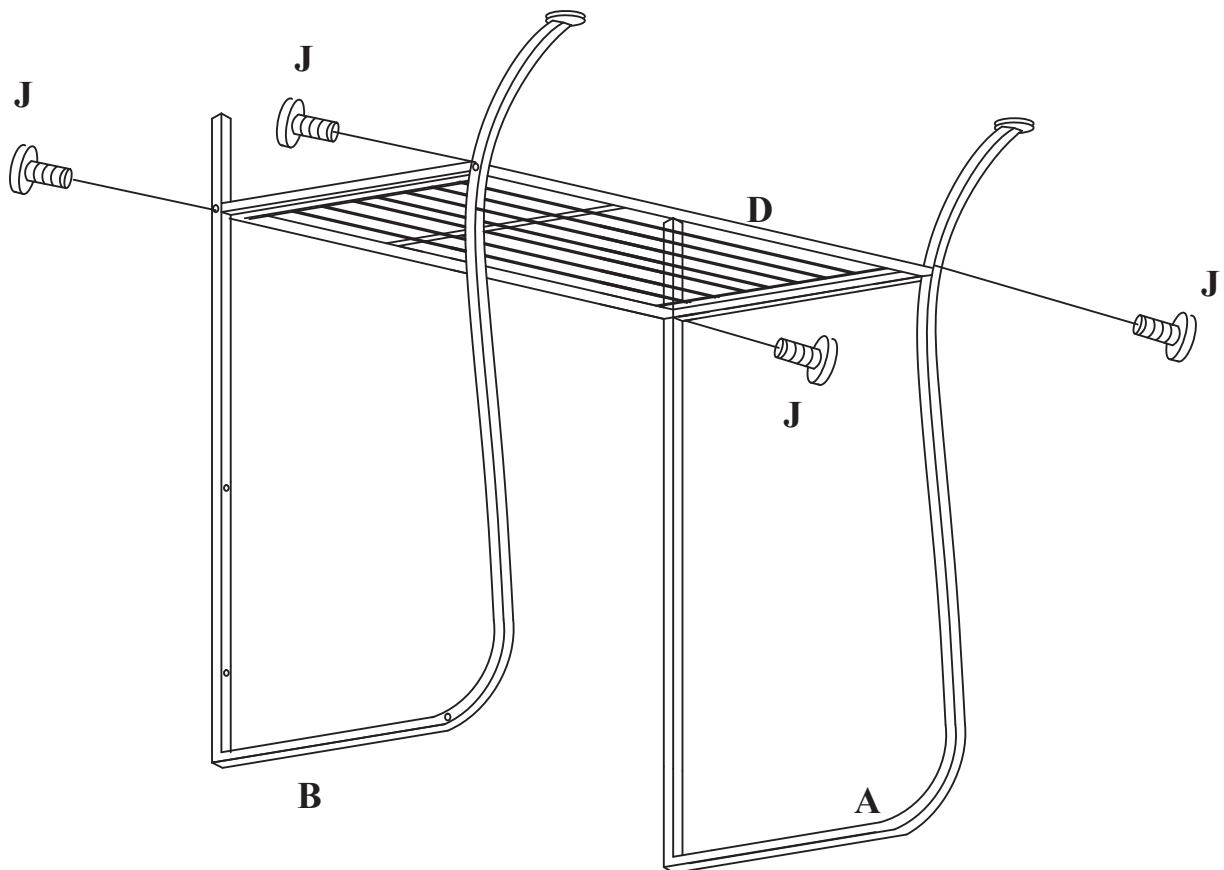
ASSEMBLY INSTRUCTIONS

**BEFORE YOU BEGIN,
PLEASE READ ASSEMBLY INSTRUCTIONS CAREFULLY.
FOLLOW THEM STEP BY STEP.**

STEP 1

**ATTACH BOTTOM SHELF (D) TO LEFT LEG (A) AND RIGHT
LEG (B) USING LONG BOLT (J) AS SHOWN.**

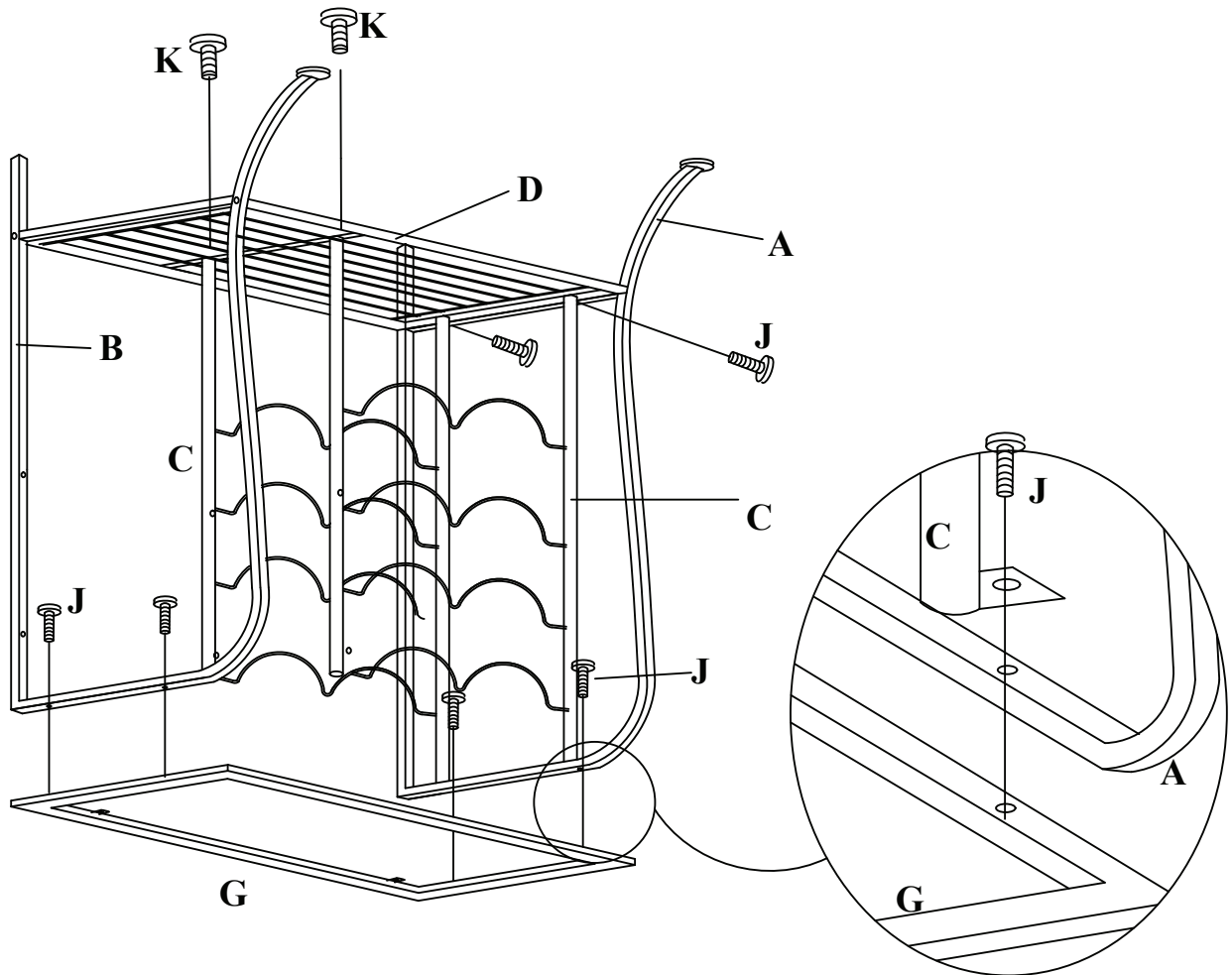
***DO NOT COMPLETELY TIGHTEN THE BOLTS AT THIS TIME.**



 **Ⓝ LONG BOLT - 4 PCS**

STEP 2:

ATTACH LEFT LEG (A) AND RIGHT LEG (B) TO TOP FRAME (G) AND ATTACH WINE RACK (C) TO LEFT LEG (A) AND BOTTOM SHELF (D) USING LONG BOLT (J) AND SHORT BOLT (K) AS SHOWN.



ⓐ LONG BOLT - 6 PCS

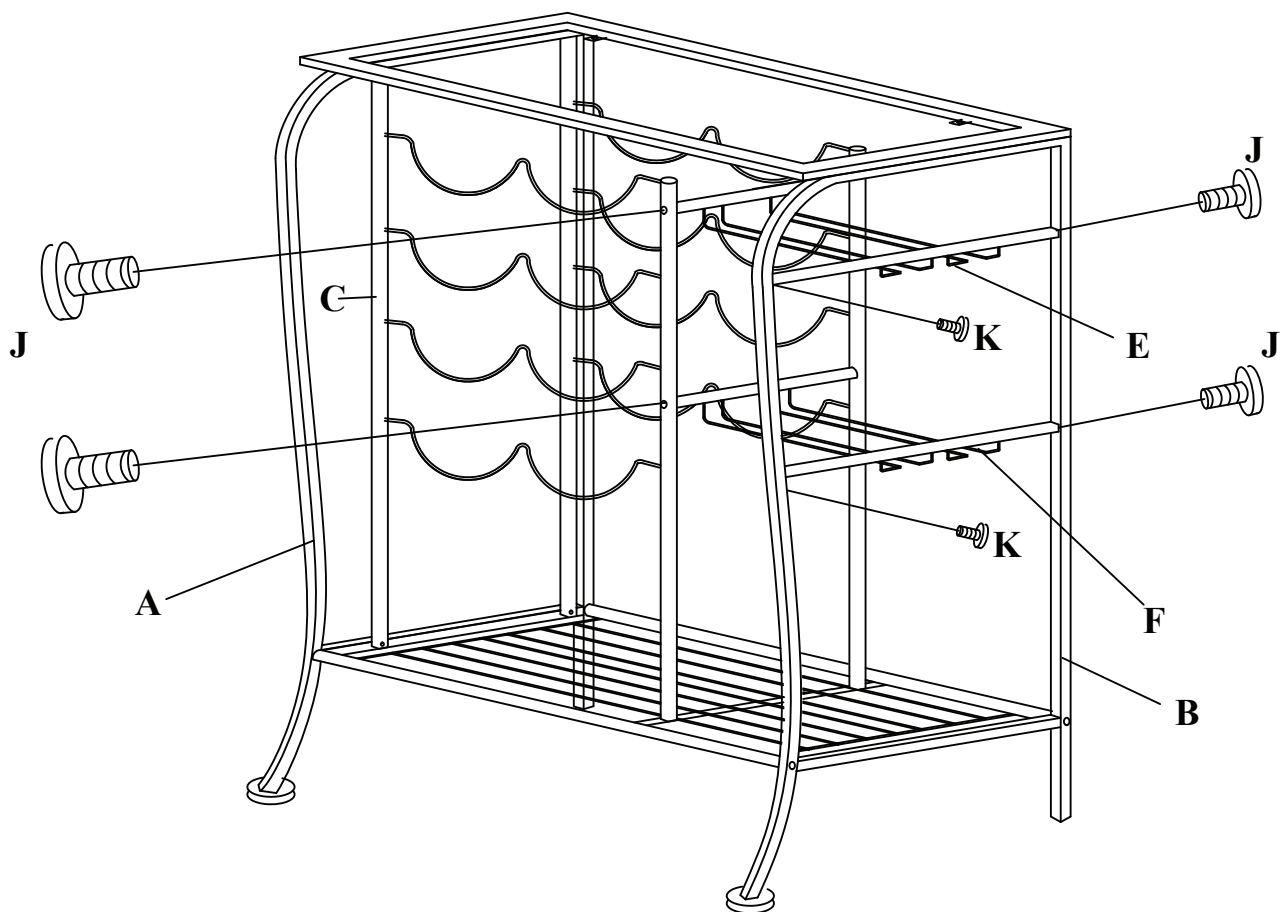


ⓑ SHORT BOLT - 2 PCS

STEP 3:

ATTACH BIG GLASS HOLDER (E) TO THE UPPER OF RIGHT LEG (B) AND WINE RACK (C) USING LONG BOLT (J) AND SHORT BOLT (K), THEN ATTACH SMALL GLASS HOLDER (F) TO THE MIDDLE OF RIGHT LEG (B) AND WINE RACK (C) USING LONG BOLT (J) AND SHORT BOLT (K) AS SHOWN.

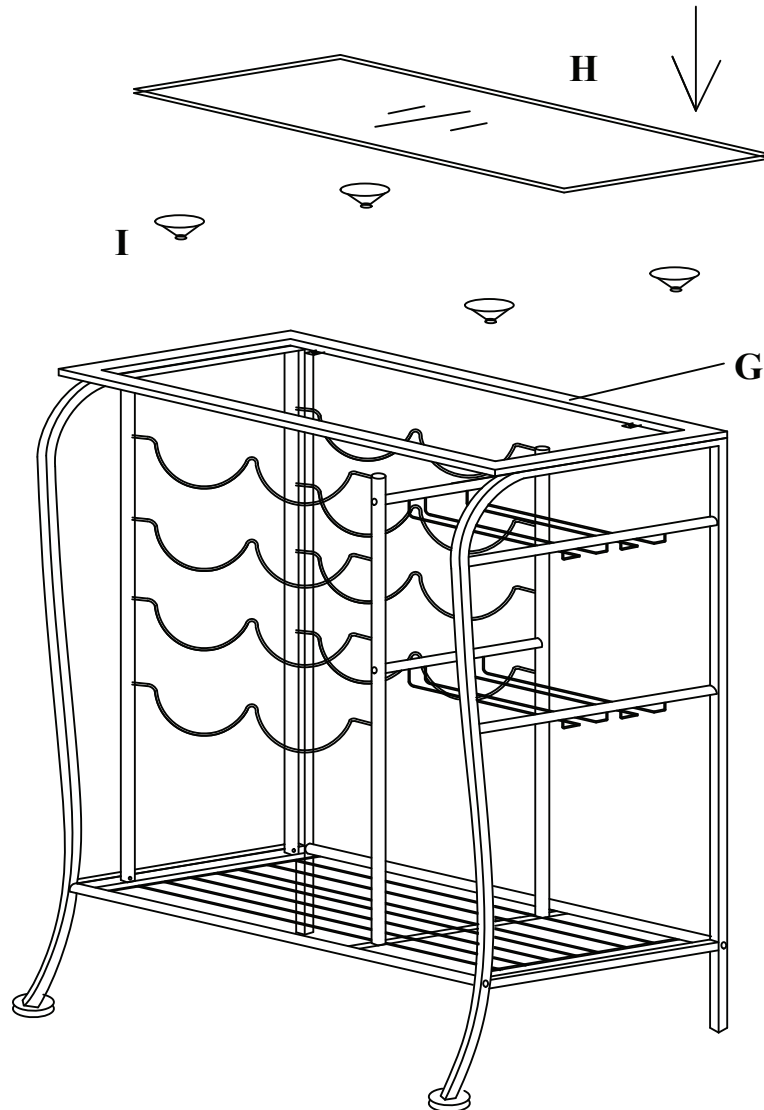
***TIGHTEN ALL THE BOLTS AT THIS TIME.**



 **ⓐ LONG BOLT - 6 PCS**

 **ⓑ SHORT BOLT - 2 PCS**

STEP 4:
PUT SUCTION CUP (I) ONTO THE HOLE OF TOP FRAME (G),
THEN PLACE GLASS TOP (H) ONTO TOP FRAME (G) AS SHOWN.



Do you have any questions? Missing small parts or hardware?
If you need assistance with the assembly of your GLASS TOP
WINE RACK please e-mail our Customer Service
Department at:
support@fourstari.com
or call us at **(508) 435-4830**
or (800) 639-3803

Please include the following information in your email:

- Where item was purchased
- Item, model, style or SKU number listed on instructions or box
- Part number, description of the part and quantity needed

This information will help us get the proper part to you faster