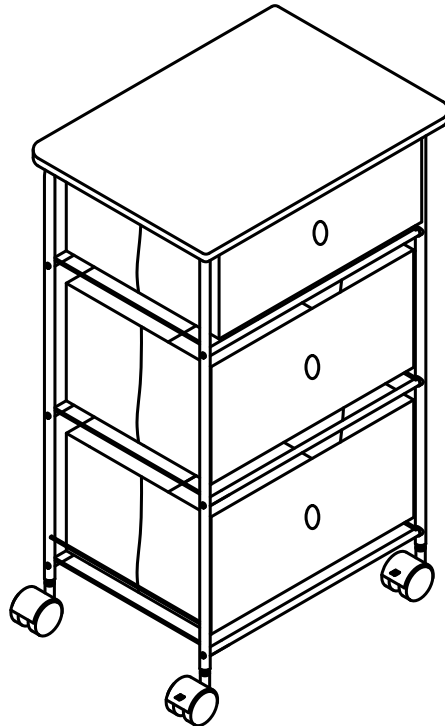




fourstargroup

ITEM: MS 39-084-006-61

THIS INSTRUCTION MANUAL CONTAINS IMPORTANT SAFETY INFORMATION. PLEASE READ AND KEEP FOR FUTURE REFERENCE. THIS INSTRUCTION MANUAL IS PRINTED ON RECYCLED PAPER USING EARTH FRIENDLY SOY BASED INK.



UPC# 049696120593 MODEL: MS 39-084-006-61

SIDE TABLE



Do not return to the store

Do you have any questions? Missing small parts or hardware? If you need assistance with the assembly of your SIDE TABLE please e-mail our Customer Service Department at: support@fourstari.com or call us at 1-800-639-3803

Please let customer service know:

1. You purchased this item from Wal-Mart
2. The item description is: SIDE TABLE
3. The item number is MS 39-084-006-61
4. The part number/letter and quantity needed

If you have this information ready, we will be able to process your request promptly. Thank you

LOT#0000-00000 DATE PURCHASED _____ / _____ / _____

CAUTION :

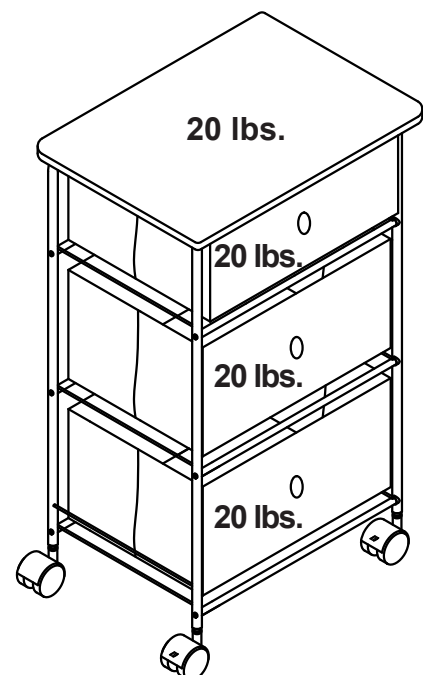
1. Read this instruction manual and keep it for reference.
2. Adult supervision is required due to small parts.
3. Assemble on soft surfaces to prevent damage to the product finish.
4. Recommended two people to assemble the product.
5. Estimated half hour for assembly.
6. Make sure all parts are included before assembly.
7. Call our toll-free customer service if needed.

ASSEMBLY TOOLS REQUIRED

PHILLIPS SCREWDRIVER


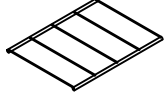
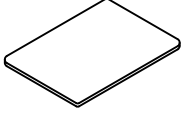



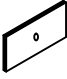
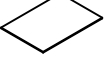
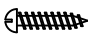

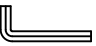
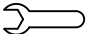


This unit is intended for use only with the products and maximum weights indicated. Use with other products or products heavier than the maximum weights indicated may result in instability causing possible injury. Furniture can tip over or break if improperly moved. Have a friend help to lift and carry the unit to its new location.



PARTS AND HARDWARE

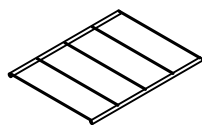
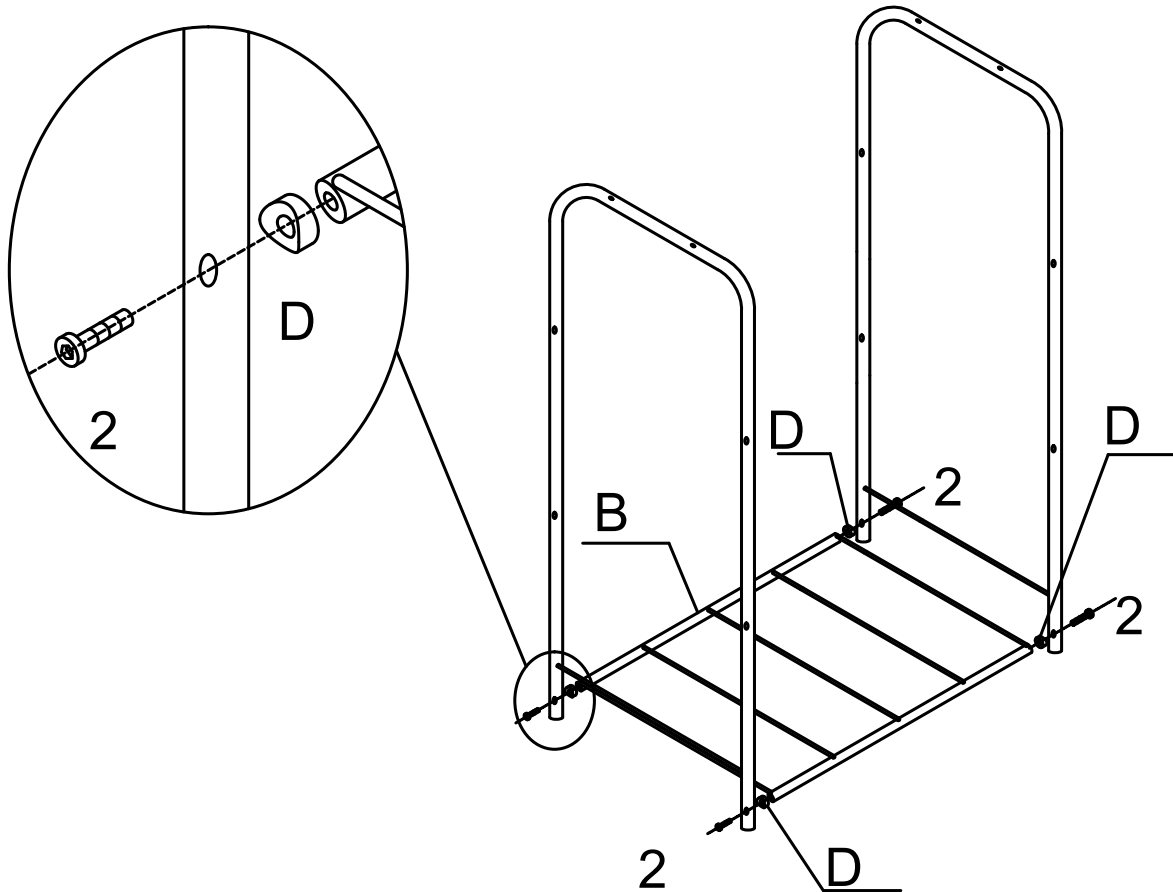
BEFORE YOU BEGIN, PLEASE FOLLOW ASSEMBLY INSTRUCTIONS CAREFULLY.
FOLLOW THEM STEP BY STEP.

	Part Name	Line-art Drawing	Size	Quantity	Material	Finish
A	Leg Frame		71 x 30 cm	2	Metal	Silver
B	Wire Shelf		38 x 29.5 cm	3	Metal	Silver
C	Top Panel		45.7 x 33 x 1.2 cm	1	MDF	Black
D	Plastic Washer		1.3 x 0.35 cm	12	Plastic	Black
E	Locking Caster		4 cm	2	Plastic	Black
F	Caster		4 cm	2	Plastic	Black
G	Non-Woven Bin		38 x 26.5 x 21 cm	3	Fabric	Black
H	Bottom Bin Support		36.2 x 25.2 cm	3	Fabric	Black
1	28mm Screw		0.5 x 2.8 cm	4	Metal	Silver
2	30mm Bolt		0.6 x 3 cm	12	Metal	Silver
3	Allen Wrench		5.6 x 2.2 x 0.4 cm	1	Metal	Silver
4	Wrench		6.9 x 2.2 x 0.14 cm	1	Metal	Silver

ASSEMBLY INSTRUCTIONS

Step 1.

Attach WIRE SHELF (B) to each LEG FRAME (A) using 30MM BOLTS (2) and PLASTIC WASHERS (D) as shown.



Ⓑ Wire Shelf - 1 PC



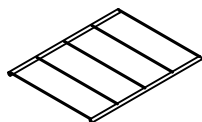
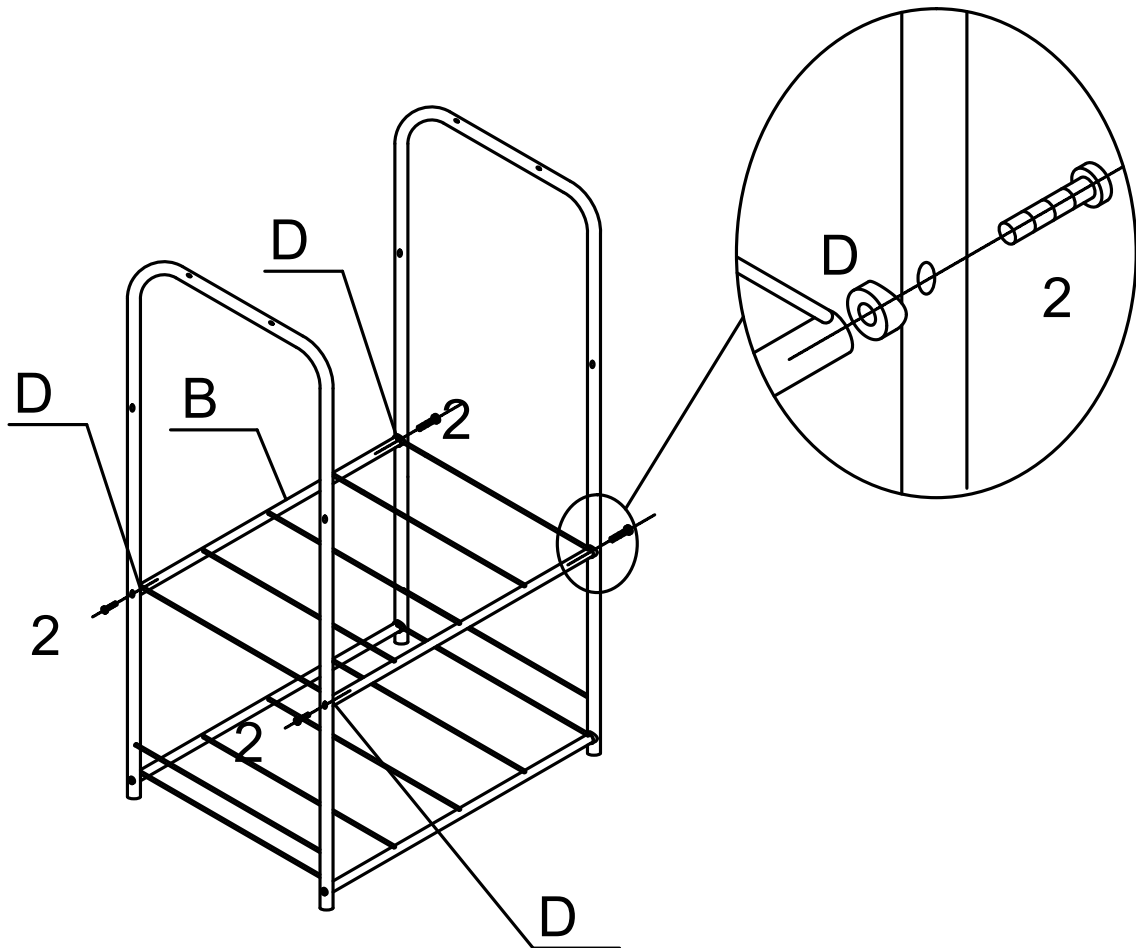
Ⓓ Plastic Washer - 4 PCS



② 30mm Bolt - 4 PCS

Step 2.

Repeat STEP 1. Attach WIRE SHELF (B) to each LEG FRAME (A) using 30MM BOLTS (2) and PLASTIC WASHERS (D) as shown.



Ⓑ Wire Shelf - 1 PC



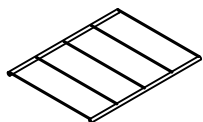
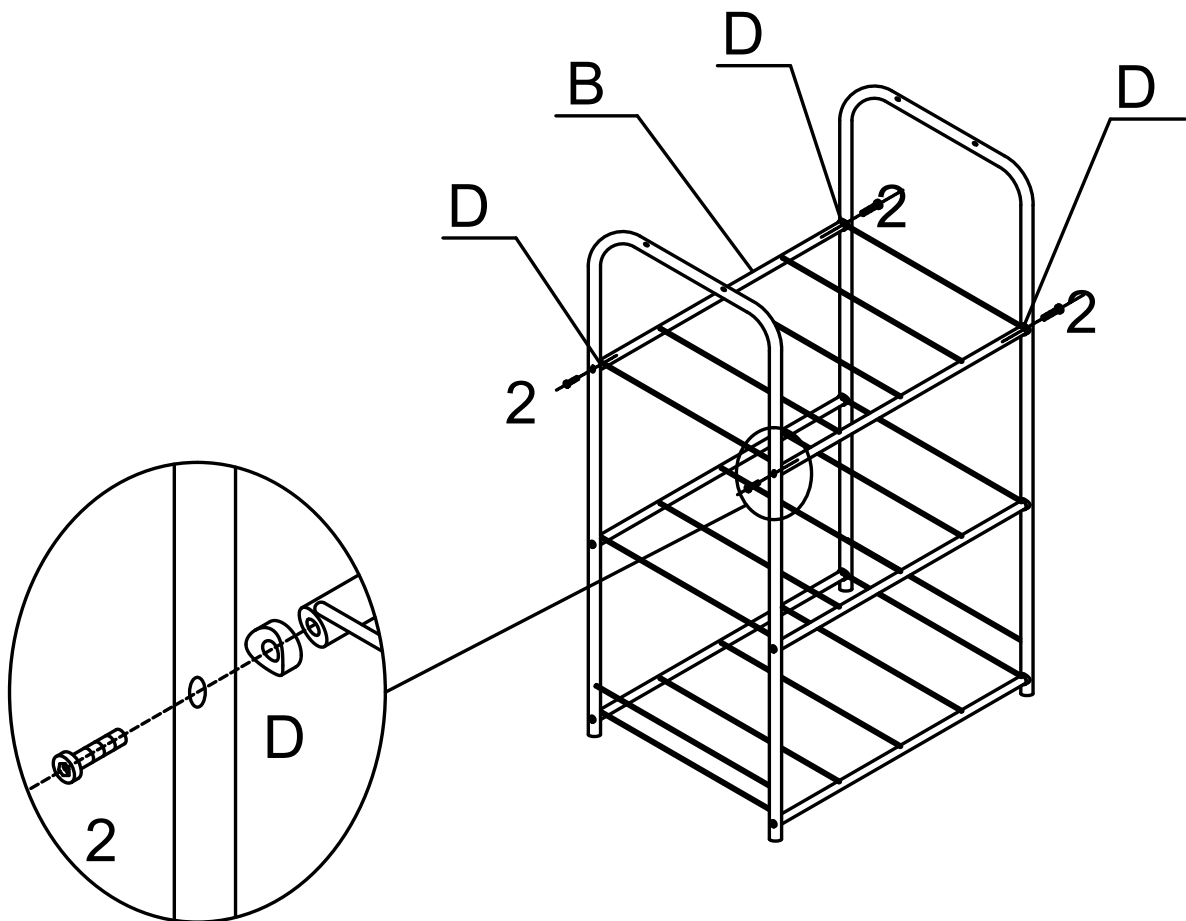
Ⓓ Plastic Washer - 4 PCS



② 30mm Bolt - 4 PCS

Step 3.

Repeat STEP 1. Attach WIRE SHELF (B) to each LEG FRAME (A) using 30MM BOLTS (2) and PLASTIC WASHERS (D) as shown.



Ⓑ Wire Shelf - 1 PC



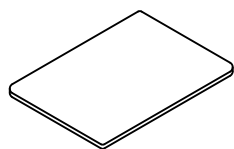
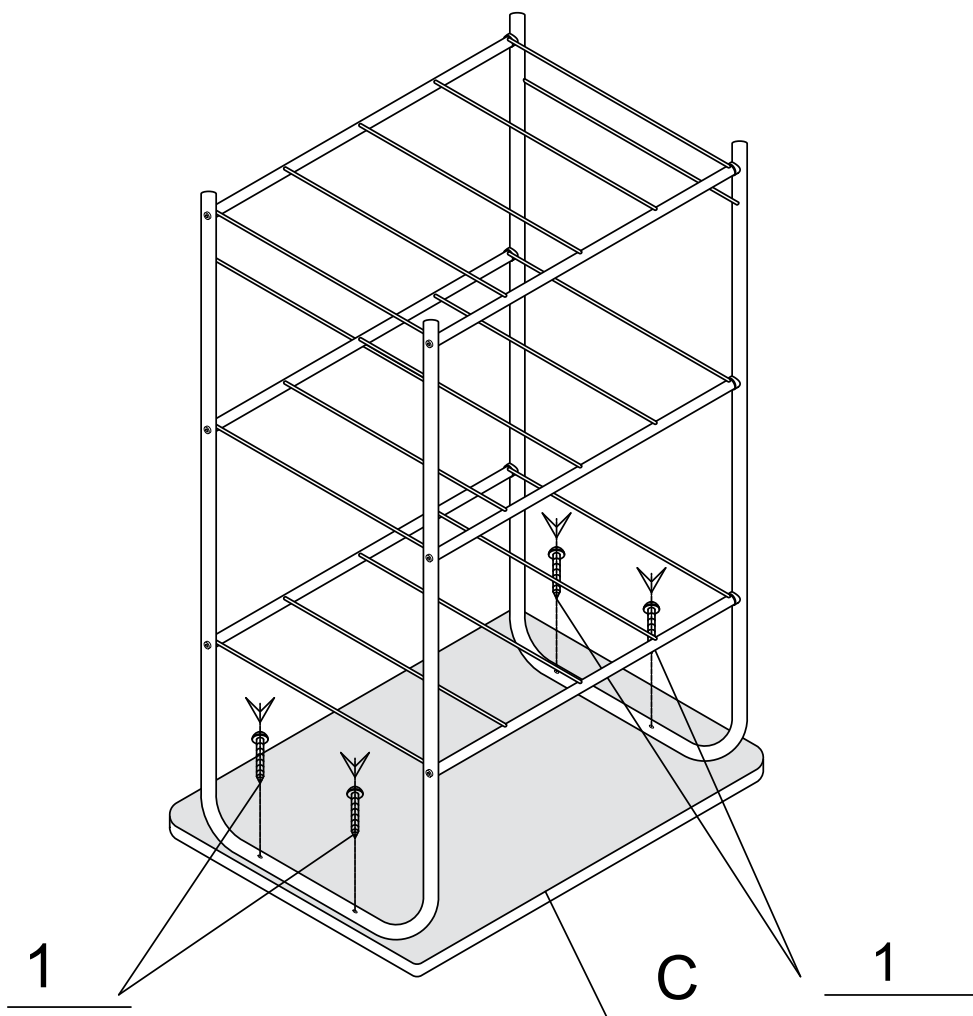
Ⓓ Plastic Washer - 4 PCS



Ⓐ 30mm Bolt - 4 PCS

Step 4.

Attach LEG FRAMES (A) to TOP PANEL (C) using 28MM SCREWS (1) as shown.



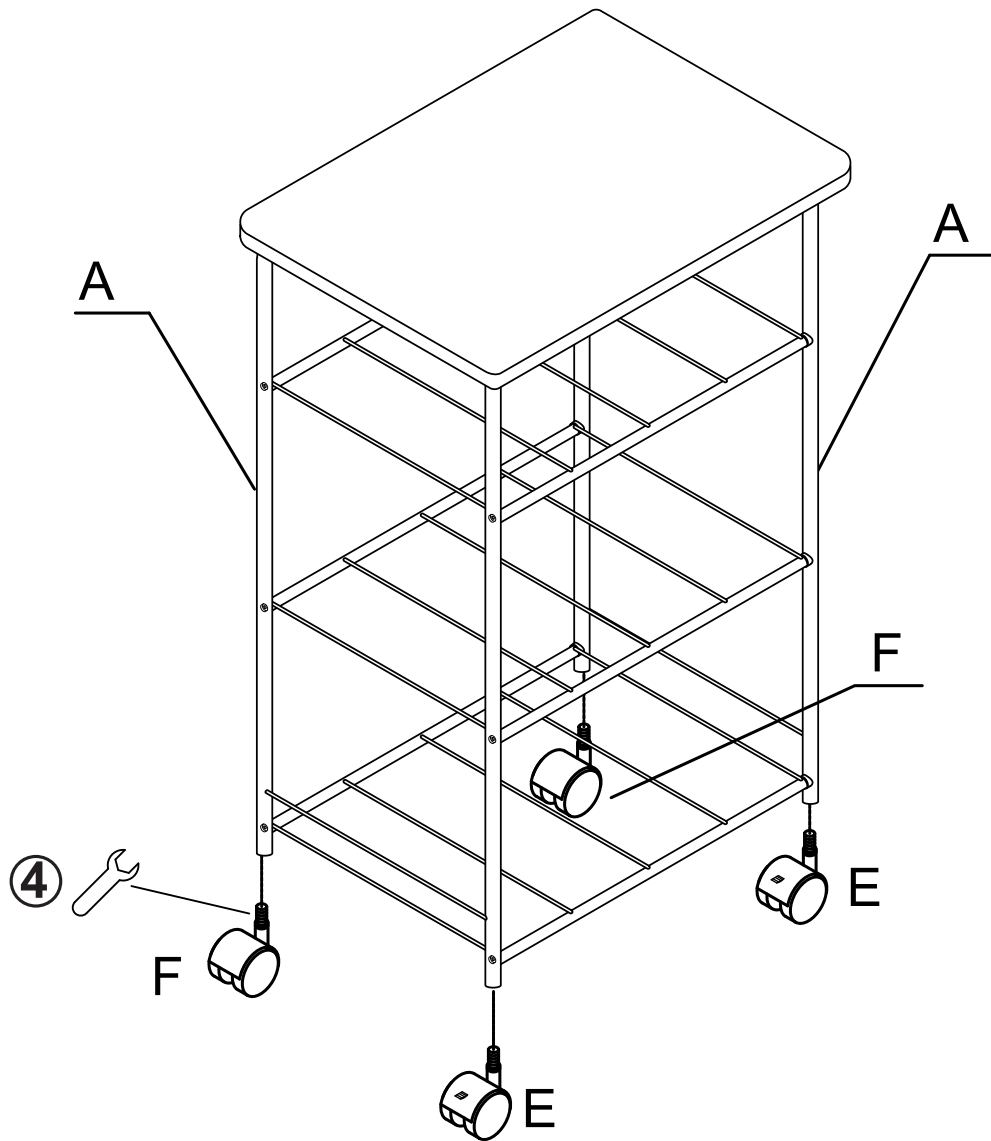
Ⓒ Top Panel - 1 PC



① 28mm Screw - 4 PCS

Step 5.

Attach CASTERS (F) and LOCKING CASTER (E) to each LEG FRAME (A) using WRENCH (4) as shown.



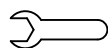
Ⓐ Leg Frame - 2 PCS



Ⓔ Locking Caster - 2 PCS



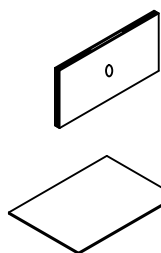
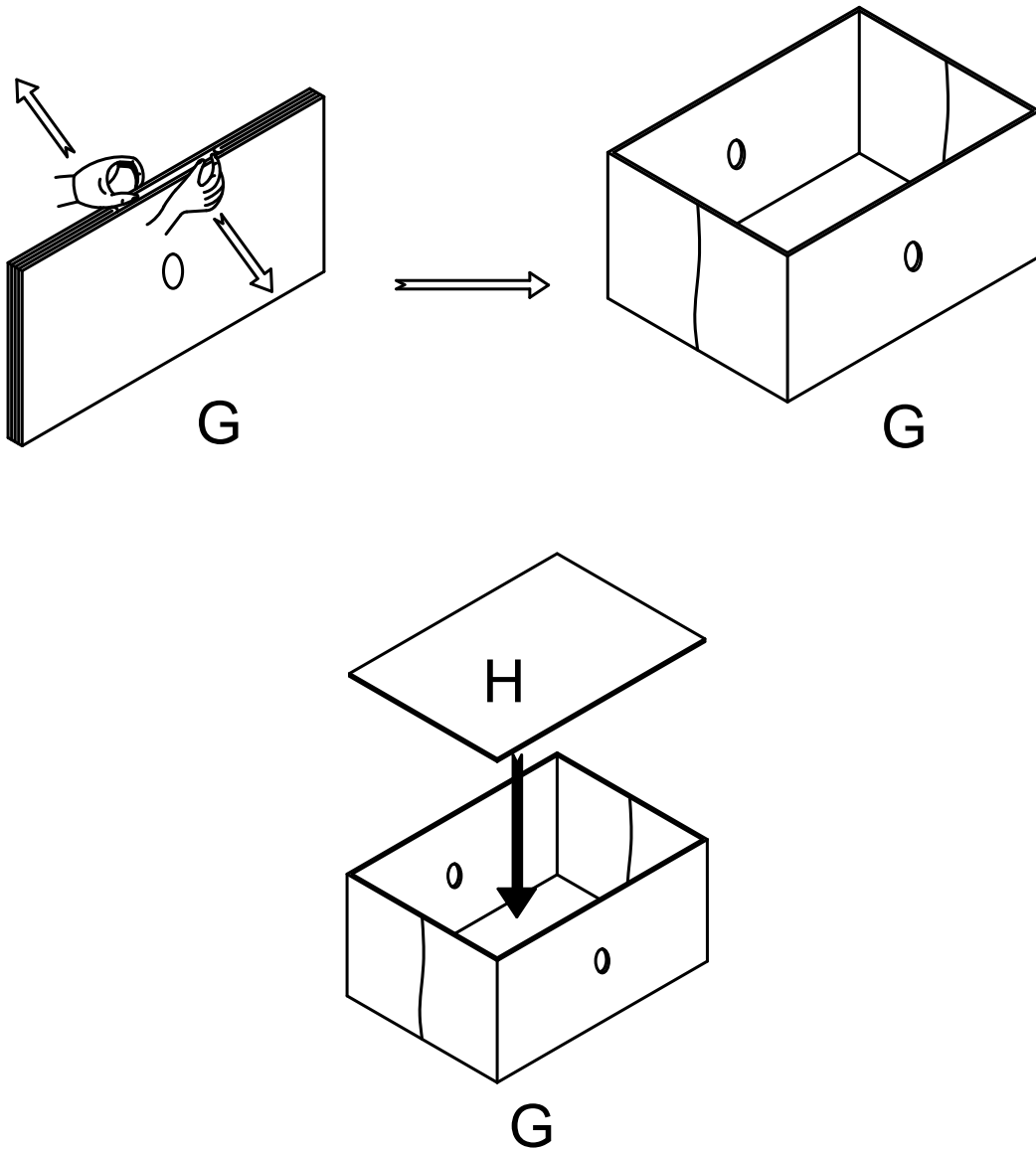
Ⓕ Caster - 2 PCS



④ Wrench - 1 PC

Step 6.

Unfold NON-WOVEN BIN (G) and put the BOTTOM BIN SUPPORT (H) into NON-WOVEN BIN (G) as shown.

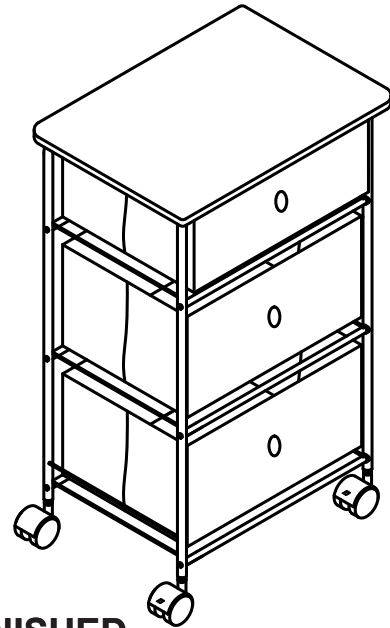
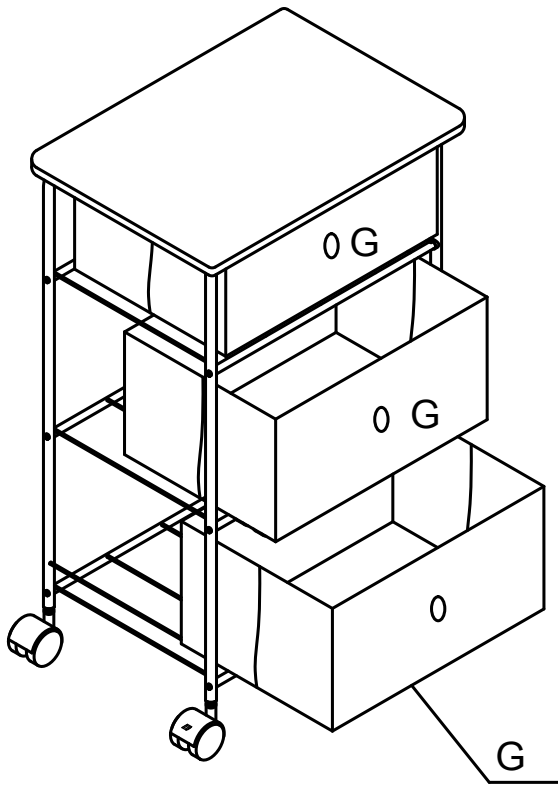


Ⓒ Non-Woven Bin - 3 PCS

Ⓗ Bottom Bin Support - 3 PCS

Step 7.

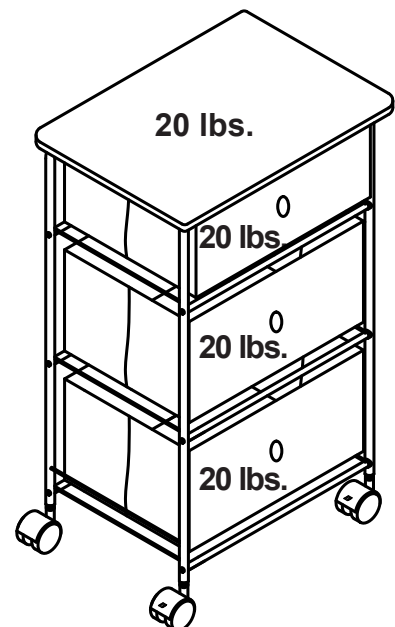
Repeat Step 6 to assemble the two remaining NON-WOVEN BINS (G) and place them onto the shelves as shown.



FINISHED

To clean the side table, wipe with soft, dry cloth. Apply a small amount of cleaning solution to the cloth if required. Do not use abrasive cleaners in order to prevent scratching the surfaces.

This unit is intended for use only with the products and maximum weights indicated. Use with other products or products heavier than the maximum weights indicated may result in instability causing possible injury. Furniture can tip over or break if improperly moved. Have a friend help to lift and carry the unit to its new location.



Do you have any questions? Missing small parts or hardware? If you need assistance with the assembly of your SIDE TABLE please e-mail our Customer Service Department at: support@fourstari.com or call us at 1-800-639-3803

