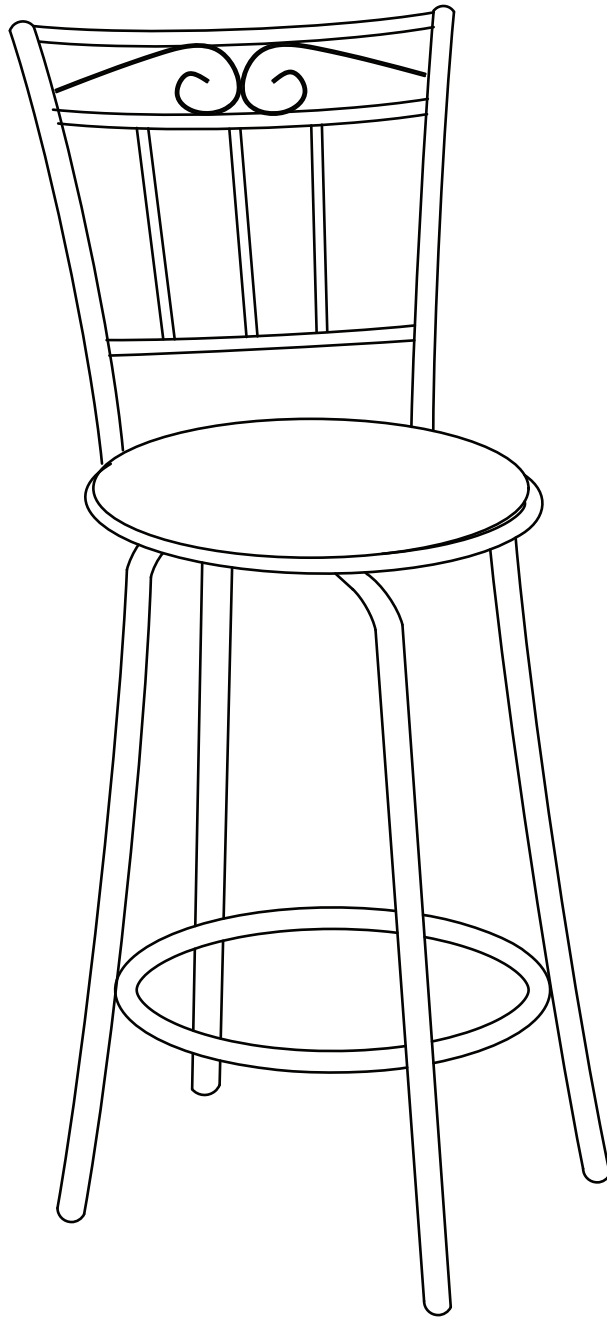












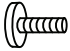
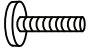
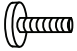

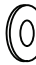


fourstargroup



MODEL: 11221364A

**SWIVEL BARSTOOL**

# PARTS LIST AND HARDWARE

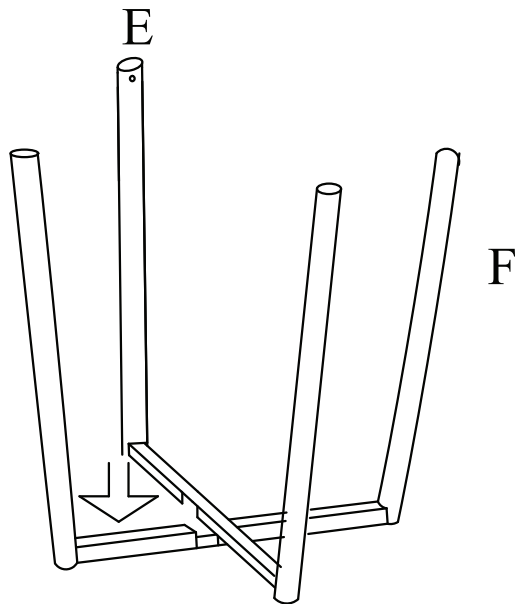
<b>A</b>		<b>BACK</b>	<b>1PC</b>
<b>B</b>		<b>SEAT</b>	<b>1PC</b>
<b>C</b>		<b>CIRCLE CONNECTOR</b>	<b>1PC</b>
<b>D</b>		<b>CONNECT LEG</b>	<b>4PCS</b>
<b>E</b>		<b>LEG (ABOVE)</b>	<b>1PC</b>
<b>F</b>		<b>LEG (BELOW)</b>	<b>1PC</b>
<b>G</b>		<b>CUSHION</b>	<b>1PC</b>
<b>H</b>		<b>SWIVEL TRAY</b>	<b>1PC</b>
<b>I</b>		<b>SHORT BOLT (1/2 in.)</b>	<b>8PCS</b>
<b>J</b>		<b>LONG BOLT (1-1/8 in.)</b>	<b>4PCS</b>
<b>J1</b>		<b>MIDDLE BOLT (1 in.)</b>	<b>2PCS</b>
<b>K</b>		<b>SPRING WASHER</b>	<b>2PCS</b>
<b>L</b>		<b>WASHER</b>	<b>2PCS</b>
<b>M</b>		<b>WOOD SCREW</b>	<b>4PCS</b>
<b>N</b>		<b>ALLEN WRENCH</b>	<b>1PC</b>

# ASSEMBLY INSTRUCTIONS

**BEFORE YOU BEGIN , PLEASE FOLLOW ASSEMBLY INSTRUCTION CAREFULLY , FOLLOW STEP BY STEP.**

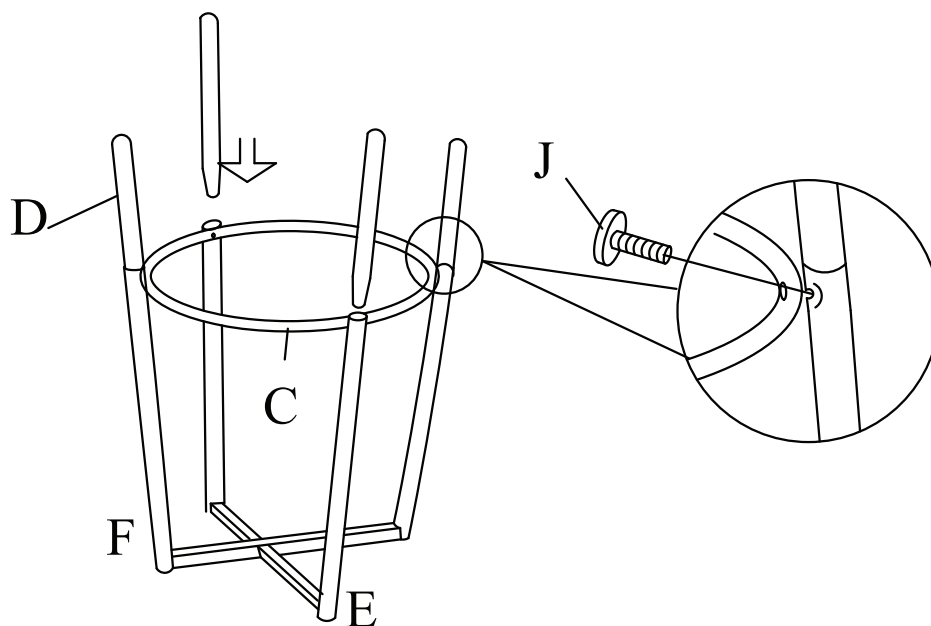
## STEP 1

**Cross center bars of both legs (E) and (F).**



## STEP 2

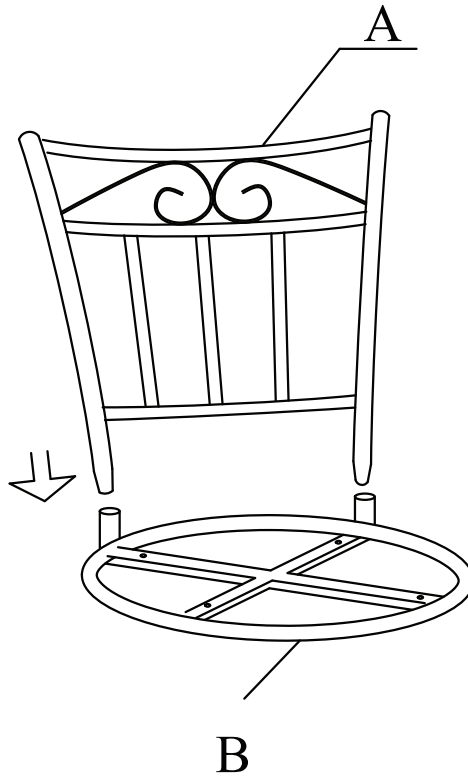
**Attach connect leg (D) to each leg using circle connector (C) and long bolt (J) as shown.**



**\* ATTN: DO NOT TIGHTEN BOLTS THIS TIME\***

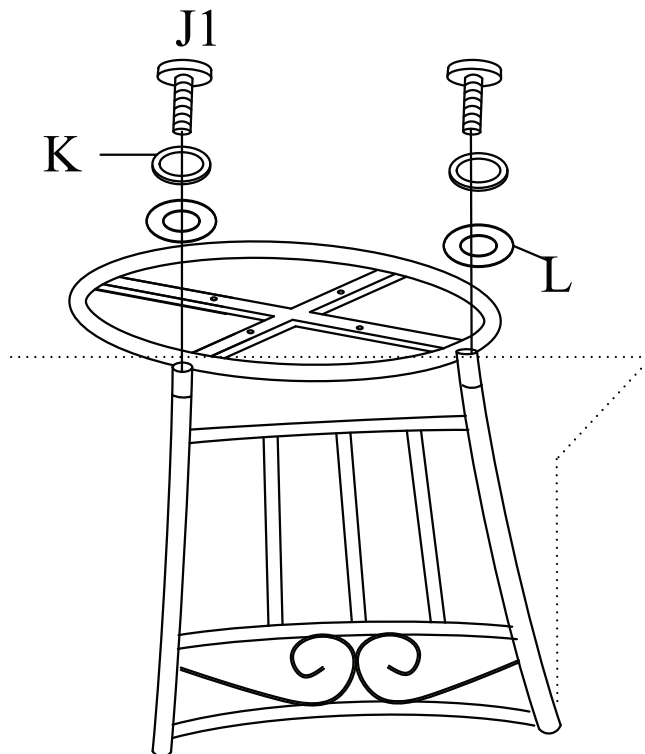
**STEP 3**

**Attach back (A) to seat (B) as shown.**



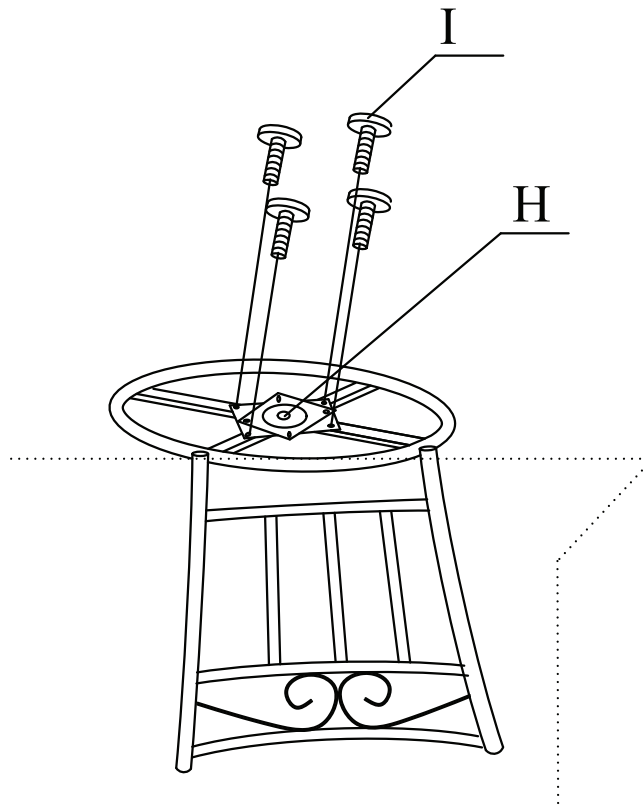
**STEP 4**

**Turn it upside down and tighten middle bolt (J1) with spring washer (K) and washer (L) as shown.**



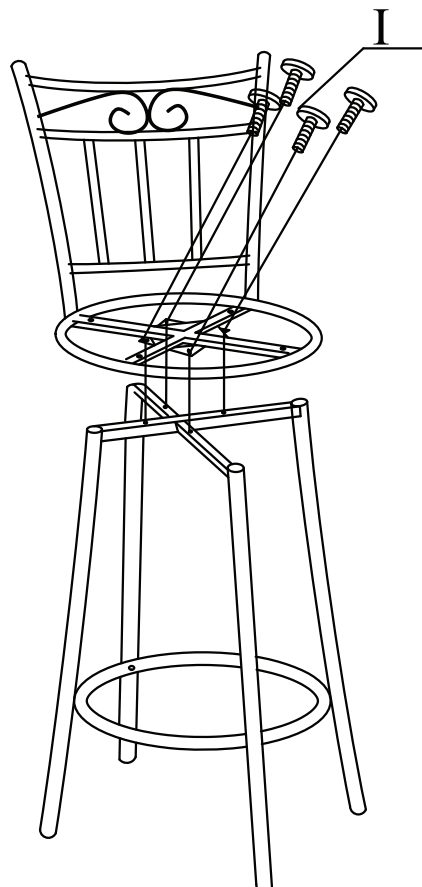
**STEP 5**

Attach swivel tray (H) to frame (STEP 4) using short bolt (I) as shown.



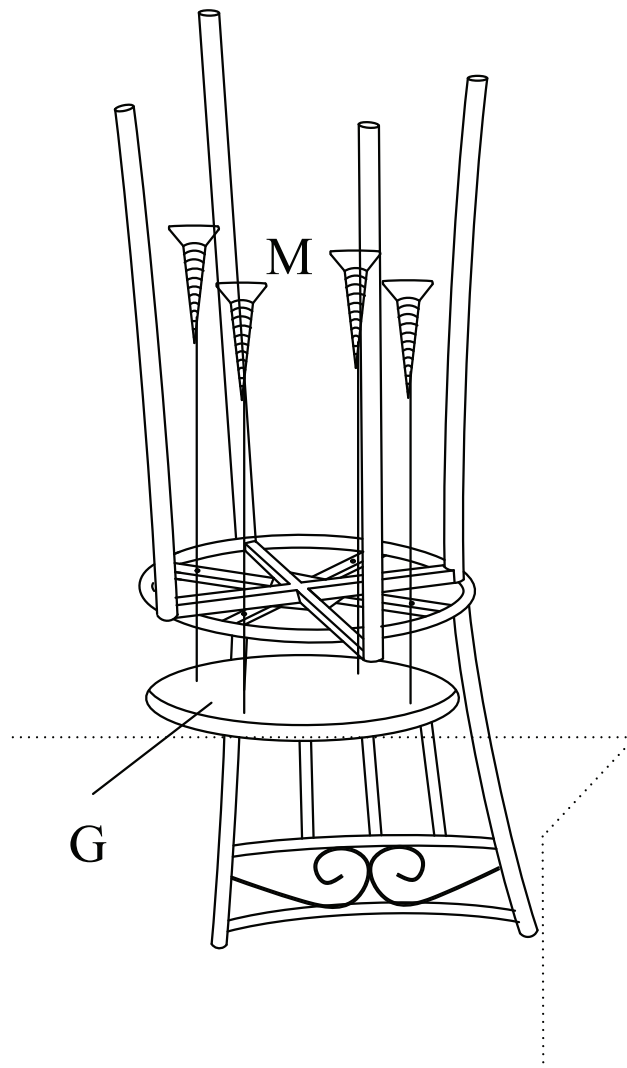
**STEP 6**

Attach seat frame (STEP 4) onto leg frame (STEP 2) using short bolt (I) as shown.



## STEP 7

Attach cushion (G) onto seat frame (STEP 6) using wood screw (M) as shown.



**\* ATTN: TIGHTEN ALL BOLTS\***

Do you have any questions? Missing small parts or hardware?  
If you need assistance with the assembly of your  
**SWIVEL BARSTOOL**  
please e-mail our Customer Service Department at:  
**support@fourstari.com**  
or call us at **(508) 435-4830**  
or (800) 639-3803

Please include the following information in your email:

- Where item was purchased
- Item, model, style or SKU number listed on instructions or box
- Part number, description of the part and quantity needed

This information will help us get the proper part to you faster