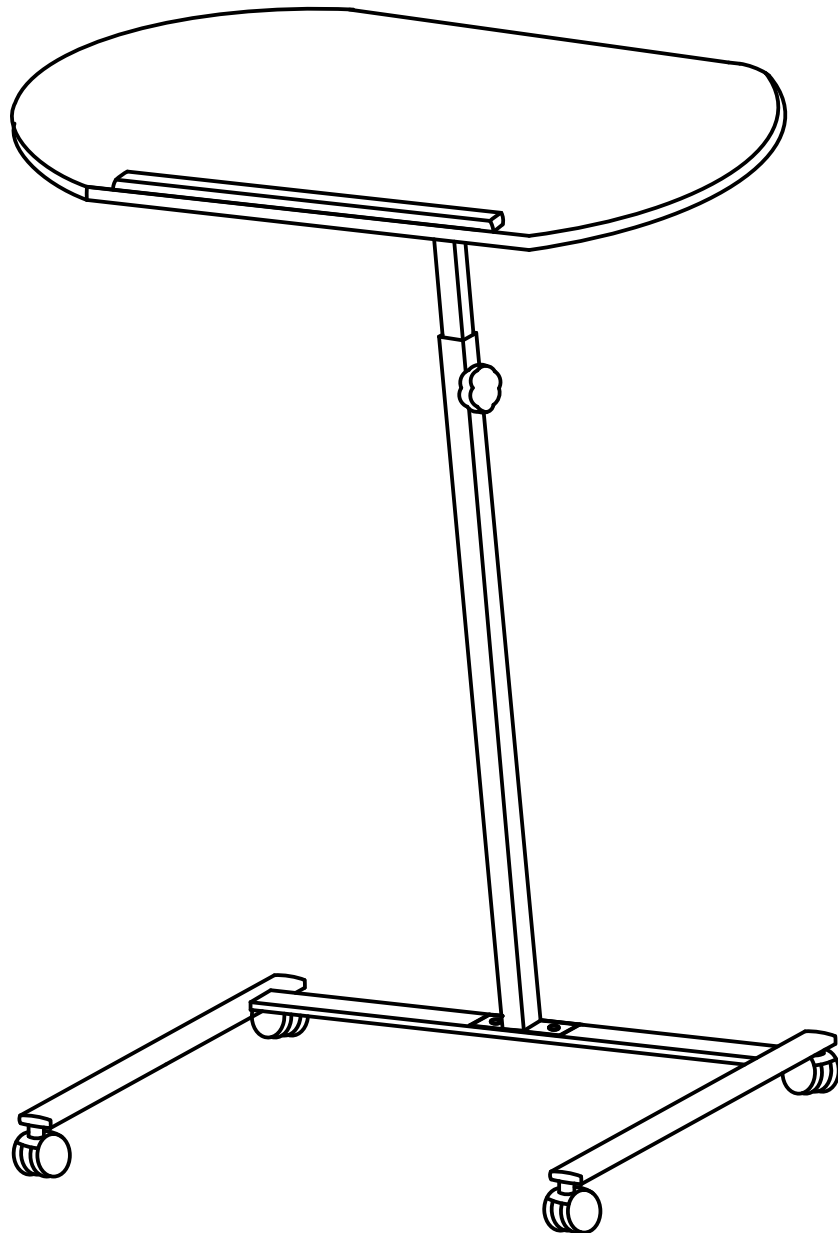










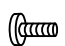










fourstargroup



MODEL: 11221299VR

LAPTOP DESK

PARTS LIST

NO	PARTS LIST	QTY
A	SUPPORT BASE 	1 PC
B	LOWER SUPPORT BAR 	1 PC
C	UPPER SUPPORT BAR 	1 PC
D	TILT PLATE 	1 PC
E	BRACKET 	2 PCS
F	TOP PANEL 	1 PC
G	BOLT 25MM (LARGE) 	2 PCS
H	BOLT 10MM (SMALL) 	6 PCS
I	NUT 	2 PCS
J	HEAD BOLT (8MM) 	1 PC
K	WASHER 	1 PC
L	HEAD BOLT (6MM) 	1 PC
M	CASTOR 	2 PCS
N	LOCKING CASTOR 	2 PCS
O	SMALL WRENCH 	1 PC
P	LARGE WRENCH 	1 PC
Q	ALLEN WRENCH 	1 PC

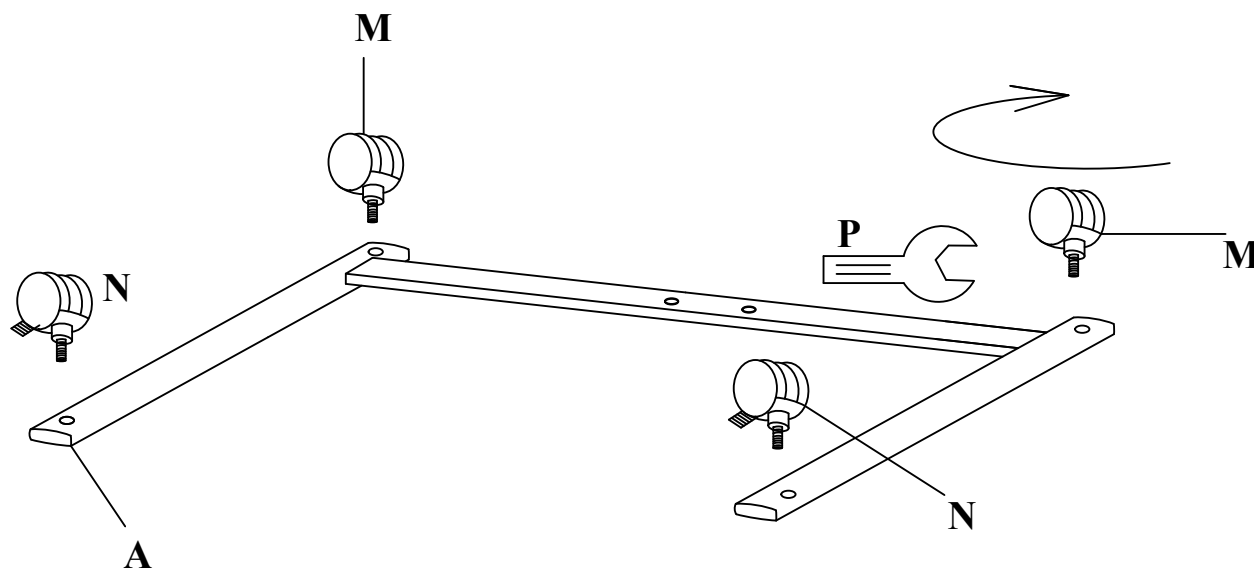
ASSEMBLY INSTRUCTIONS

CAUTION:

1. READ THIS INSTRUCTION MANUAL BEFORE YOU ASSEMBLE.
2. ASSEMBLE ON SOFT SURFACE TO PREVENT DAMAGE TO THE PRODUCT FINISH.

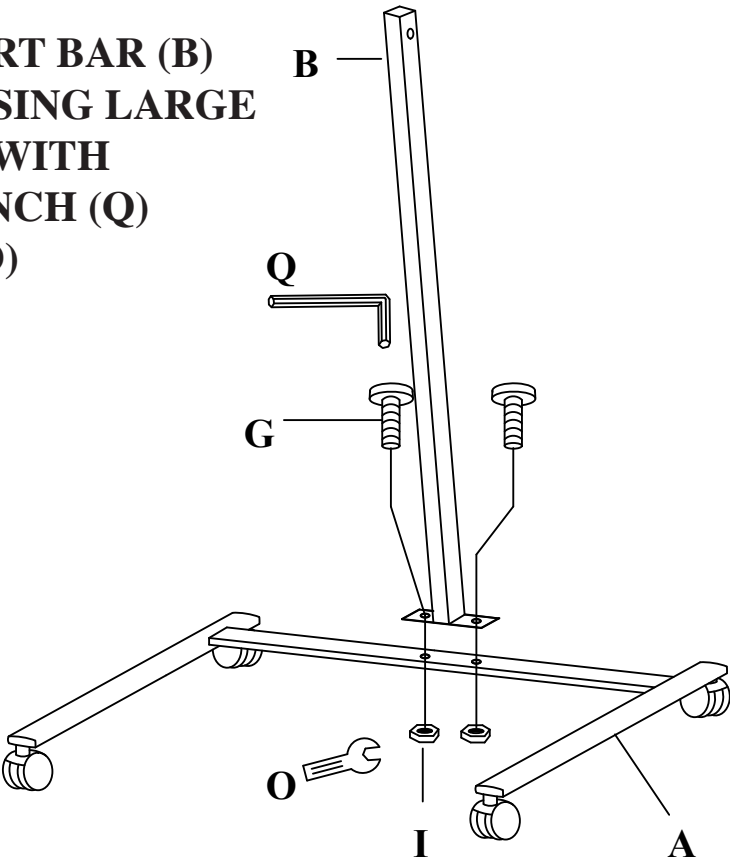
STEP 1.

ATTACH CASTORS (M) AND LOCKING CASTORS (N) TO SUPPORT BASE (A) WITH LARGE WRENCH (P) AS SHOWN.



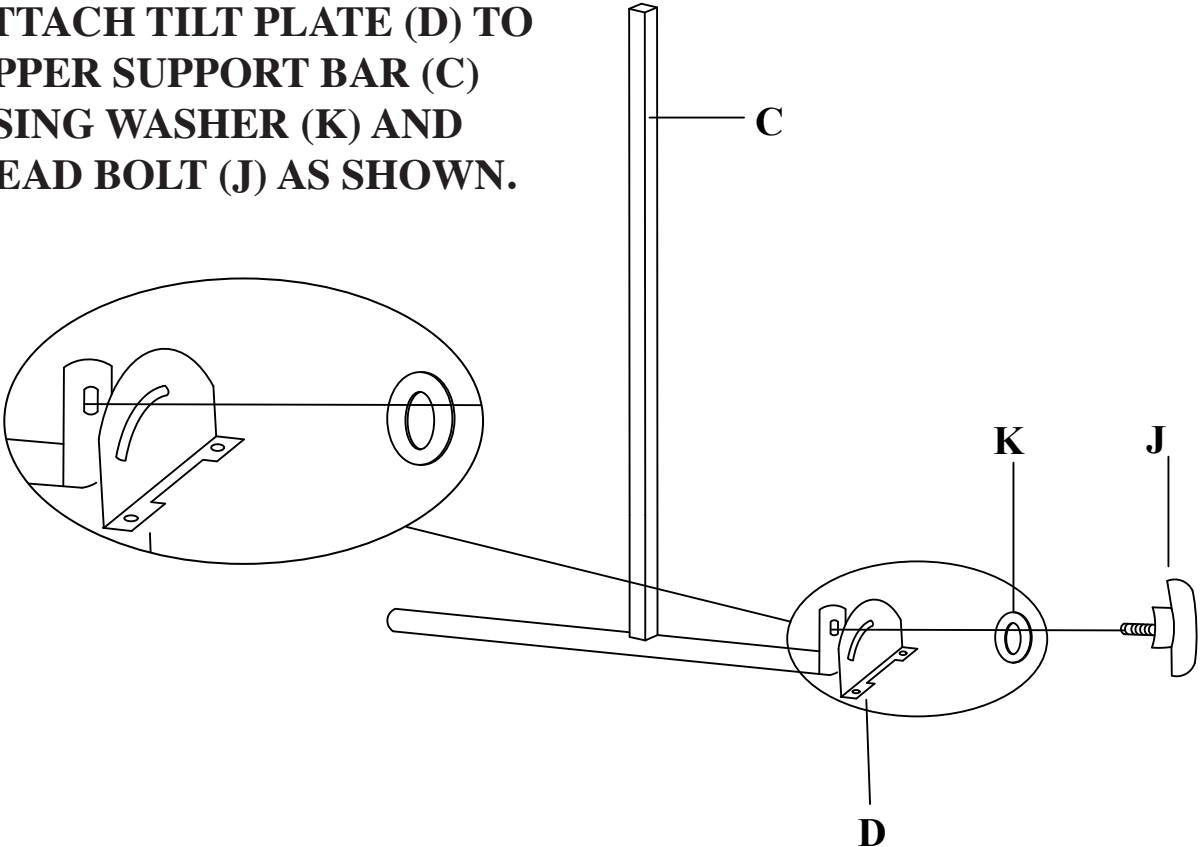
STEP 2.

ATTACH LOWER SUPPORT BAR (B) TO SUPPORT BASE (A) USING LARGE BOLTS (G) AND NUTS (I) WITH PROVIDED ALLEN WRENCH (Q) AND SMALL WRENCH (O) AS SHOWN.



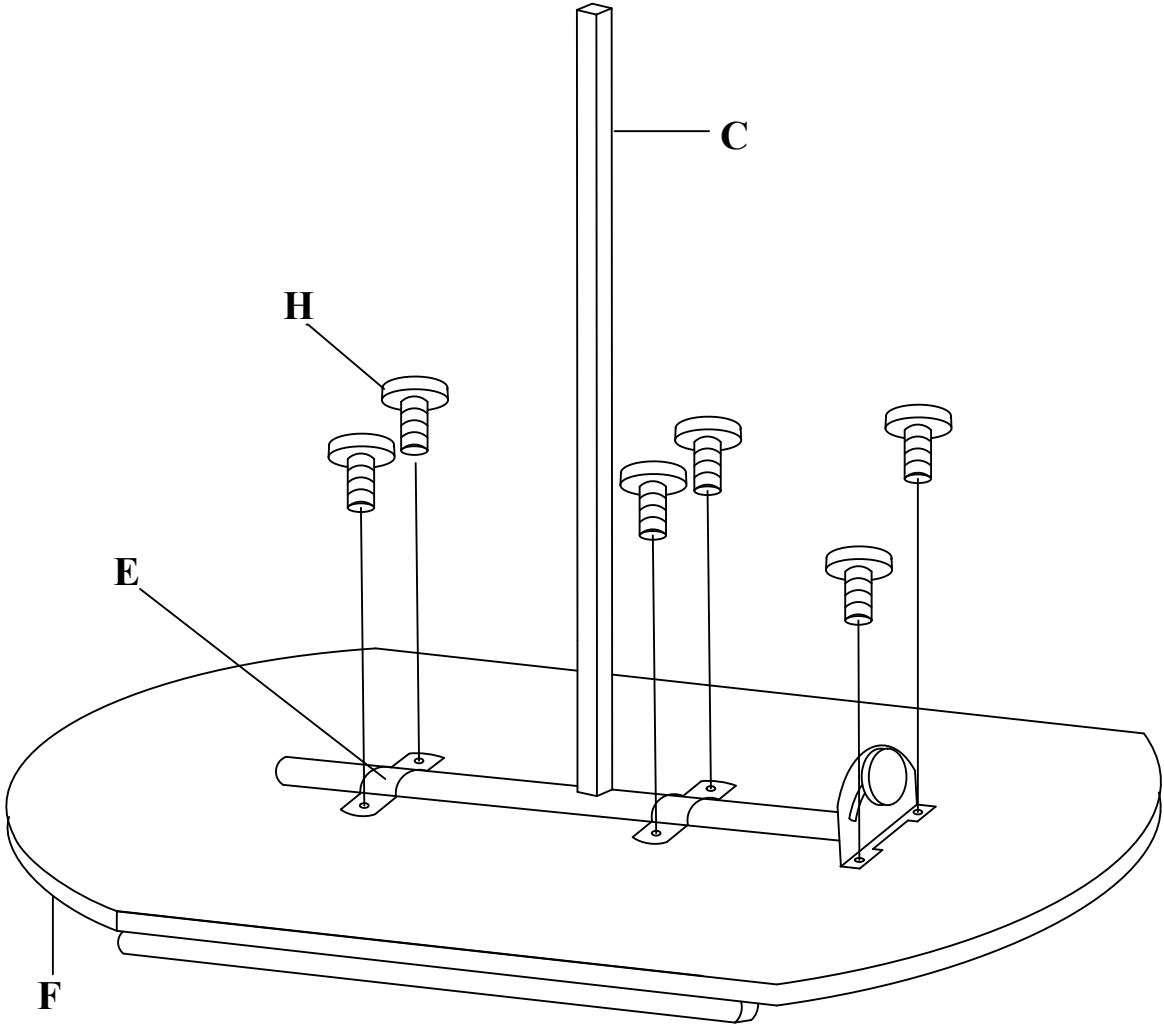
STEP 3.

ATTACH TILT PLATE (D) TO UPPER SUPPORT BAR (C) USING WASHER (K) AND HEAD BOLT (J) AS SHOWN.

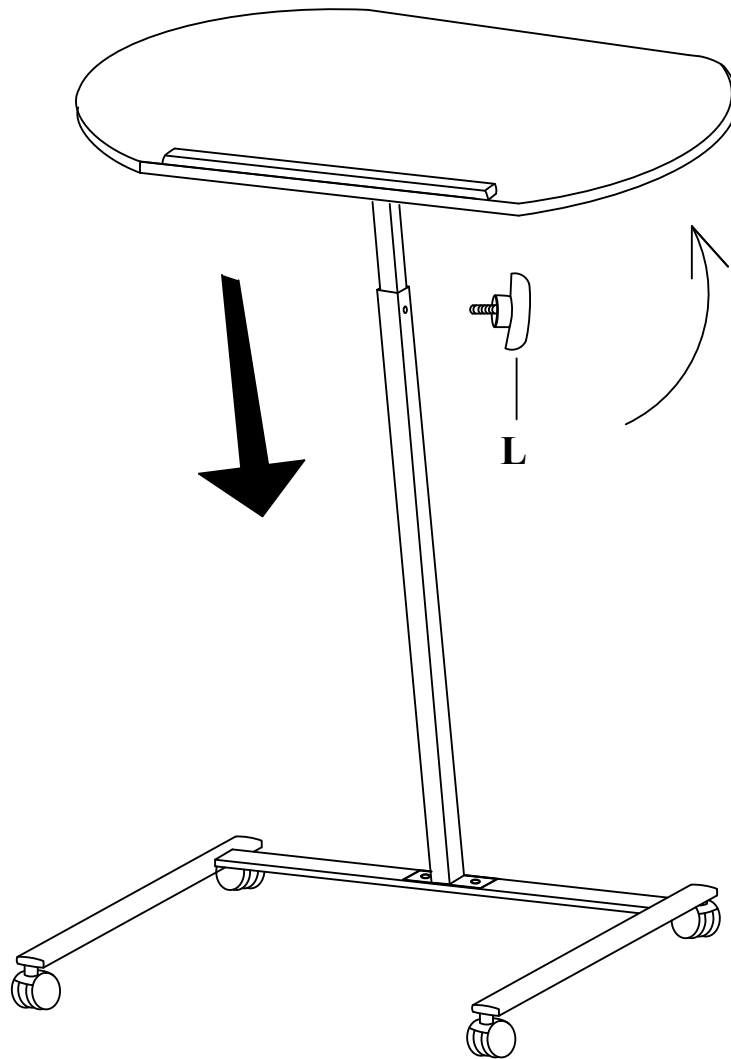


STEP 4

ATTACH UPPER SUPPORT BAR (C) TO TOP PANEL (F) USING BRACKETS (E) AND SMALL BOLTS (H) WITH PROVIDED ALLEN WRENCH (O) AS SHOWN.



STEP 5.
ATTACH (STEP 4) COMPLETED ASSEMBLY TO (STEP 2)
COMPLETED ASSEMBLY USING HEAD BOLT (L) AS SHOWN.



Do you have any questions? Missing small parts or hardware?
If you need assistance with the assembly of your LAPTOP DESK
please e-mail our Customer Service Department at:
support@fourstari.com
or call us at **(508) 435-4830**
or **(800) 639-3803**

Please include the following information in your email:

- Where item was purchased
- Item, model, style or SKU number listed on instructions or box
- Part number, description of the part and quantity needed

This information will help us get the proper part to you faster.