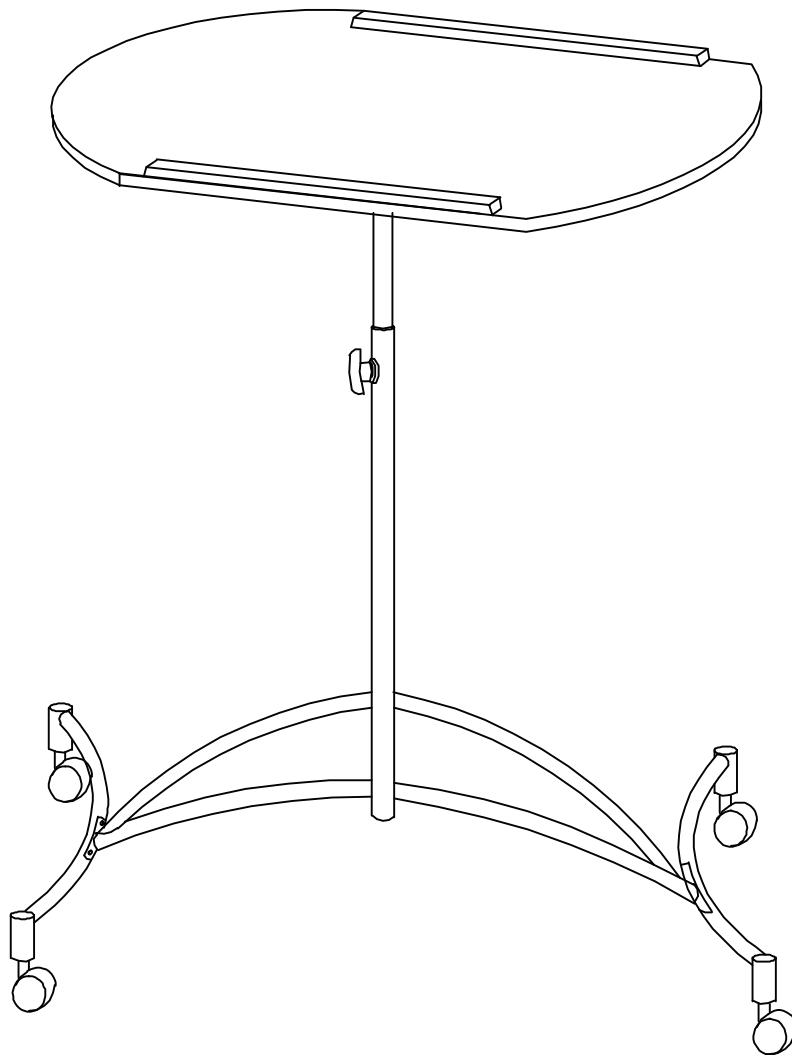





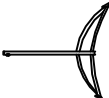

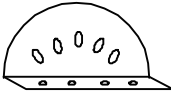

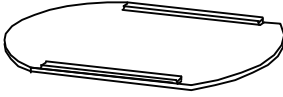
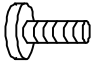

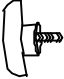


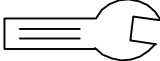

fourstargroup



MODEL: 11221299VA

**LAPTOP DESK**

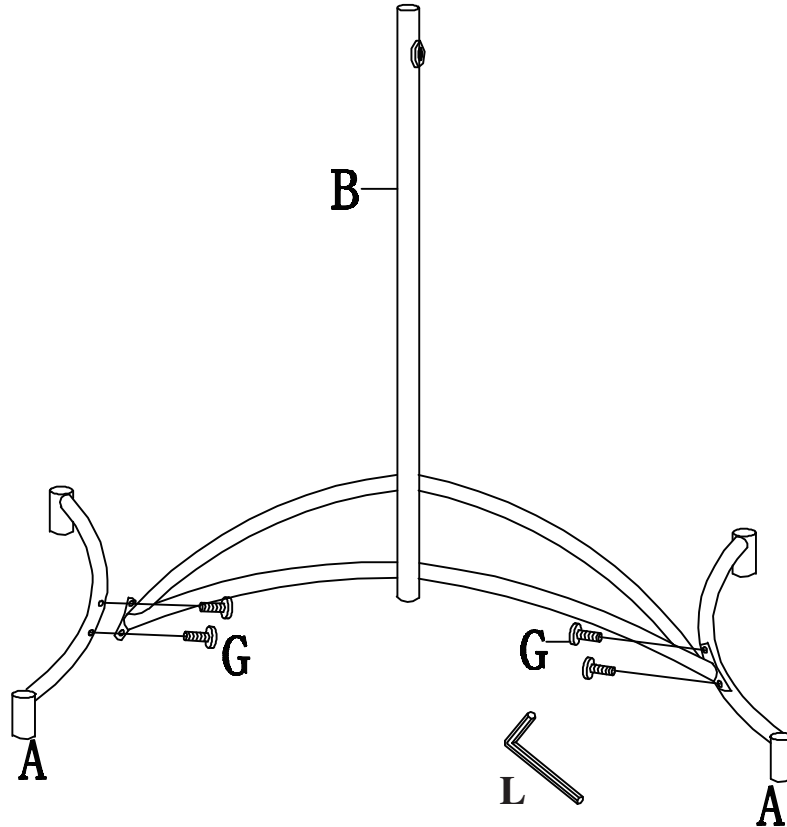
# PARTS

NO	HARDWARE & PART LIST	QTY
A	<b>LEG TUBE</b> 	<b>2PCS</b>
B	<b>SUPPORT BASE</b> 	<b>1PC</b>
C	<b>SUPPORT BAR</b> 	<b>1PC</b>
D	<b>TILT PLATE</b> 	<b>1PC</b>
E	<b>LINK</b> 	<b>2PCS</b>
F	<b>TOP PANEL</b> 	<b>1PC</b>
G	<b>BOLT (1/2 in.)</b> 	<b>4PCS</b>
H	<b>WOOD SCREW (1/2 in.)</b> 	<b>12PCS</b>
I	<b>HEAD BOLT</b> 	<b>2PCS</b>
J	<b>CASTER</b> 	<b>2PCS</b>
J <sub>1</sub>	<b>LOCKING CASTER</b> 	<b>2PCS</b>
K	<b>WRENCH</b> 	<b>1PC</b>
L	<b>ALLEN WRENCH</b> 	<b>1PC</b>

# ASSEMBLY INSTRUCTIONS

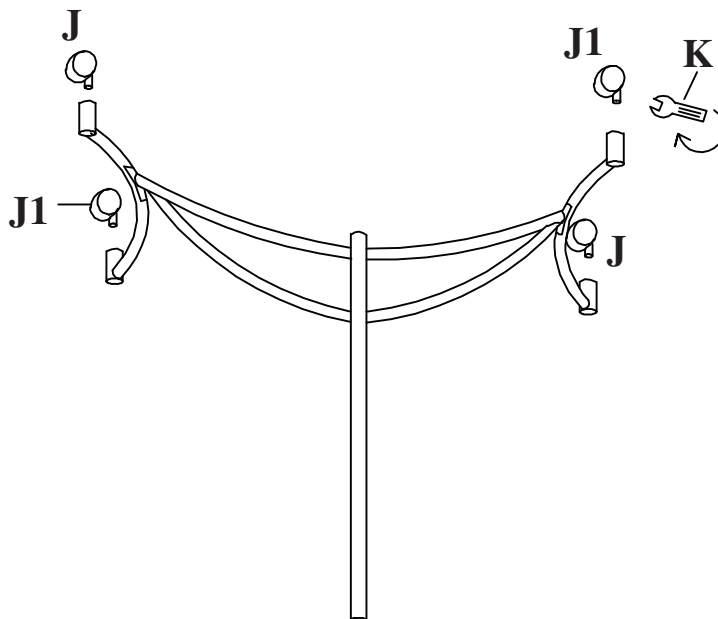
## STEP 1

ATTACH LEG TUBE (A) TO SUPPORT BASE (B) USING BOLT (G) AND ALLEN WRENCH (L) AS SHOWN.



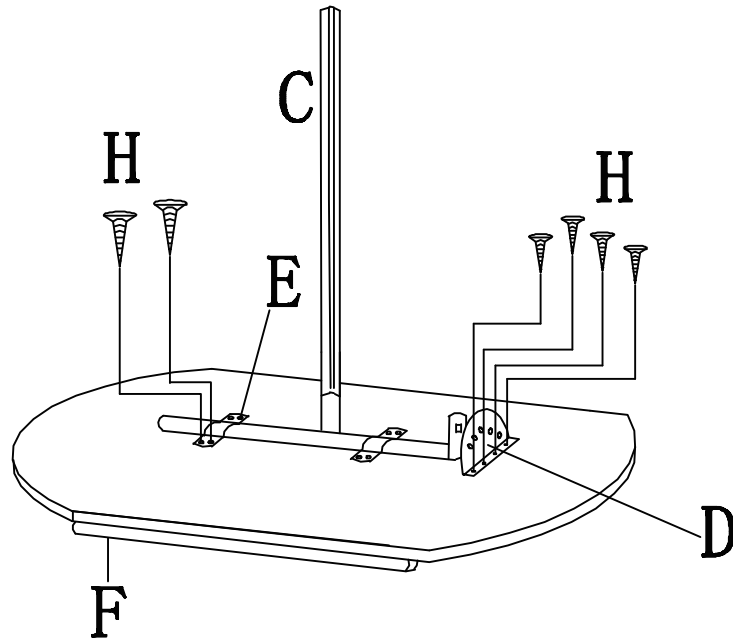
## STEP 2

ATTACH CASTER (J) AND LOCKING CASTER (J1) TO LEG TUBE (A) USING WRENCH (K) AS SHOWN.



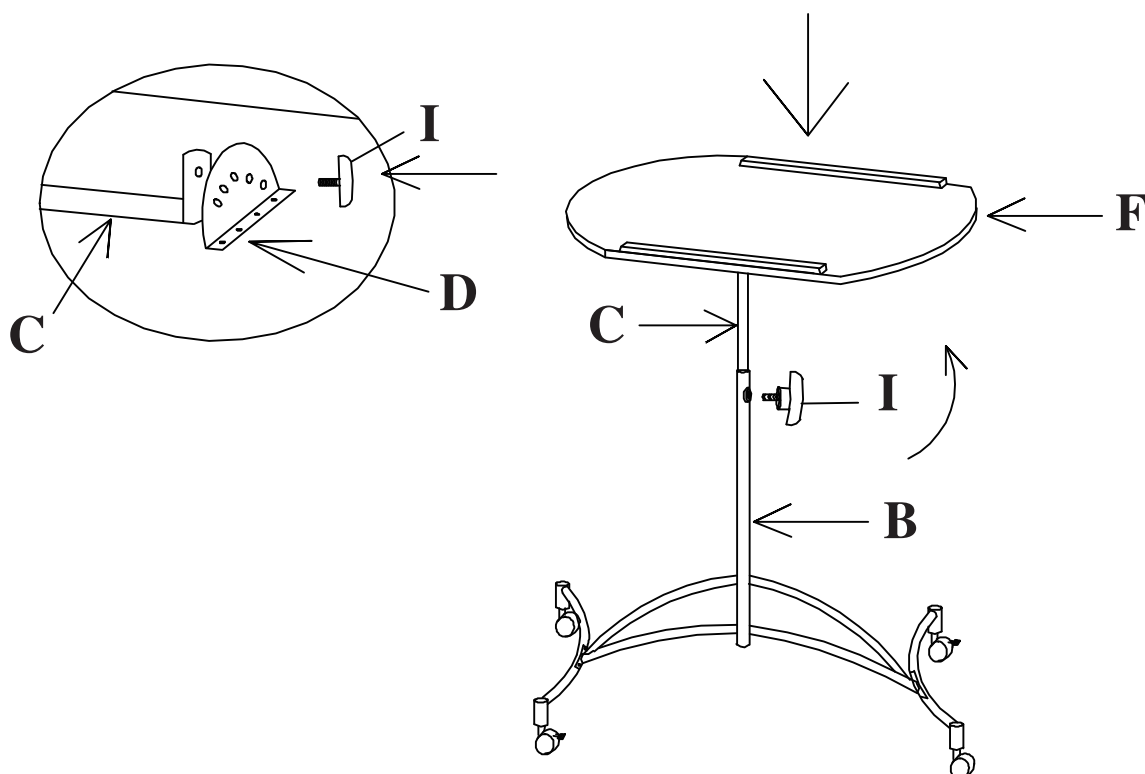
### STEP 3

ATTACH SUPPORT BAR (C) AND TILT PLATE (D) TO THE UNDERSIDE OF TOP PANEL (F) USING LINK (E) AND WOOD SCREW (H) AS SHOWN.



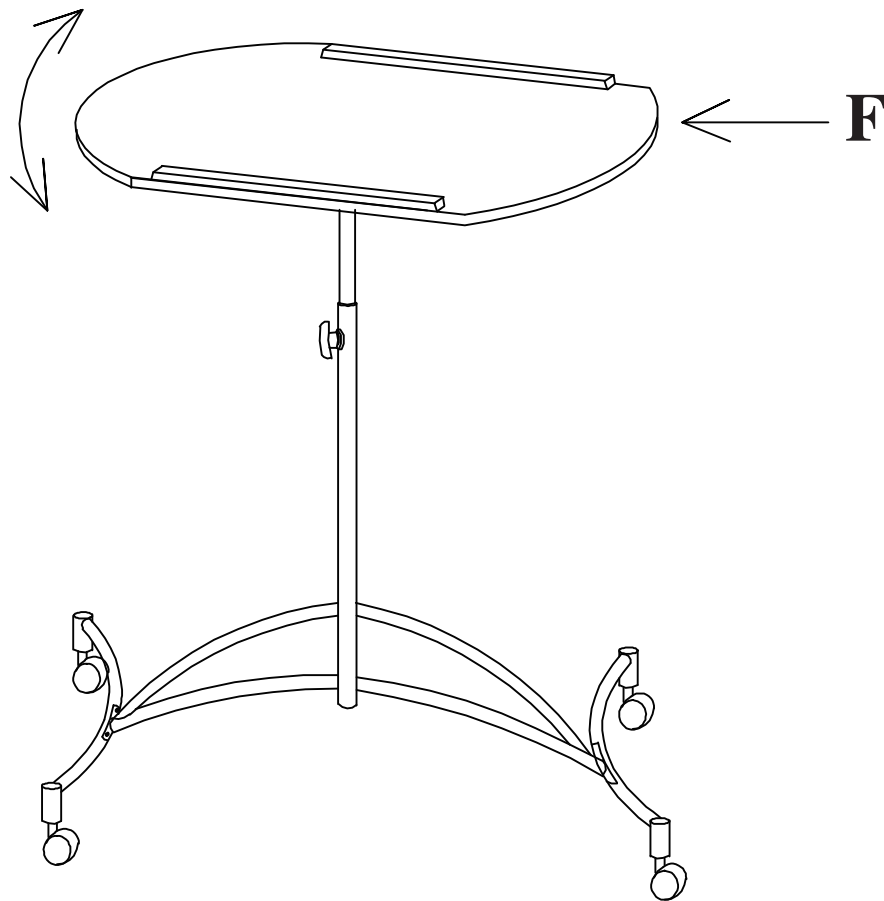
### STEP 4

TIGHTEN THE SUPPORT BAR (C) AND TILT PLATE (D) USING HEAD BOLT (I), ATTACH SUPPORT BAR (C) WITH TOP PANEL (F) TO SUPPORT BASE (B), THEN ATTACH HEAD BOLT (I) TO SUPPORT BASE (B) TO FIX THE SUPPORT BAR (C) AS SHOWN.



## STEP 5

**TO ADJUST THE ANGLE OF THE TOP PANEL (F), LOOSEN THE HEAD BOLT (I) AND ADJUST THE ANGLE OF THE TOP PANEL (F) AS DESIRED, RETIGHTENING HEAD BOLT (I) AT THE CHOSEN ANGLE AS SHOWN.**



Do you have any questions ? Missing small parts or hardware ?  
If you need assistance with the assembly of your  
LAPTOP DESK please e-mail our  
Customer Service Department at:  
**support@fourstari.com**  
**or call us (508) 435-4830**  
or call us (800) 639-3803

Please include the following information in your email:

- Where item was purchased
- Item, model, style or SKU number listed on instructions or box
- Part number, description of the part and quantity needed

This information will help us get the proper part to you faster