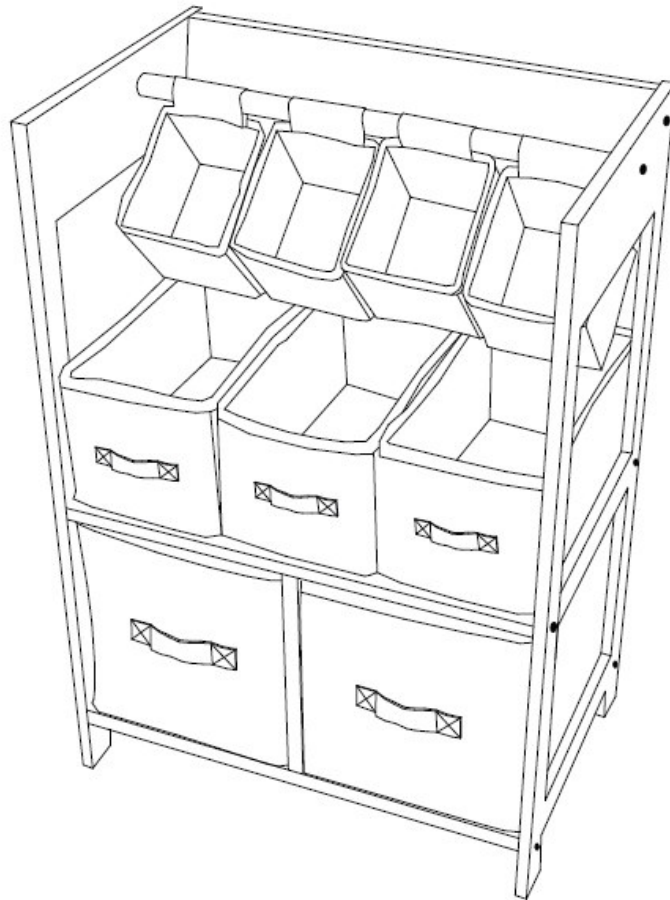







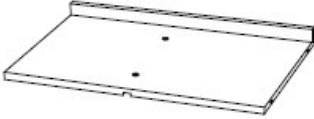
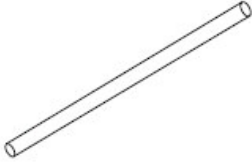

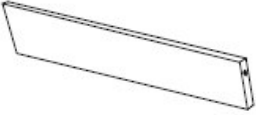

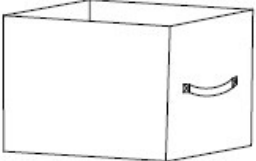
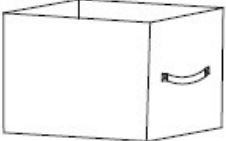
fourstargroup



MODEL: 11221151

WOODEN STORAGE ORGANIZER

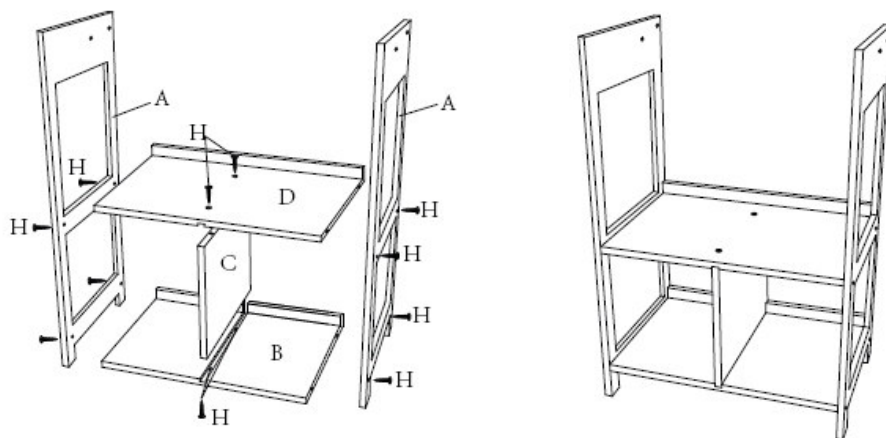
PARTS LIST AND HARDWARE

<p>A. Side panel 2PCS</p> 	<p>B. Bottom shelf 1PC</p> 
<p>C. Small panel 1PC</p> 	<p>D. Middle shelf 1PC</p> 
<p>E. . Spindle bar 1 PC</p> 	<p>F. Small bin 4 PCS</p> 
<p>G. Back panel 1 PC</p> 	<p>H. Wood screw 16 PCS</p> 
<p>I. Big bin 2 PCS</p> 	<p>J. Middle bin 3 PCS</p> 

ASSEMBLY INSTRUCTIONS

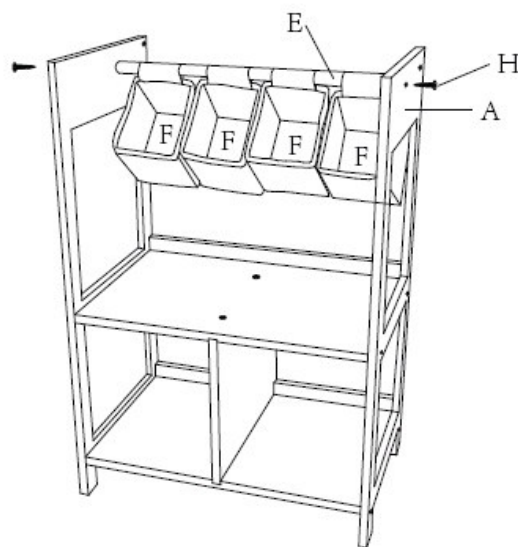
STEP 1

Attach bottom shelf (B) and middle shelf (D) to side panel (A) using wood screw (H) as shown, then insert small panel (C) between middle shelf (D) and bottom shelf (B) using wood screw (H) as shown.



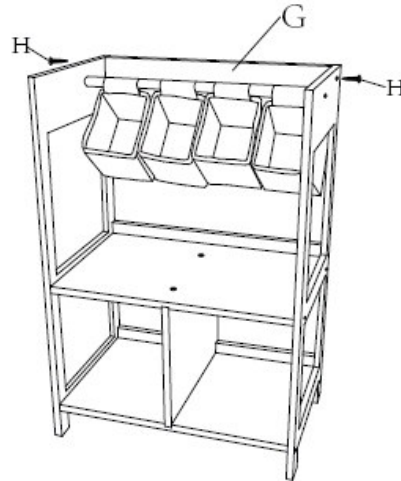
STEP 2

Hang the small bin (F) to spindle bar (E) and attach spindle bar (E) to each side panel (A) using wood screw (H) as shown.



STEP: 3

Attach back panel (G) to each side panel (A) using wood screw (H) as shown.



STEP: 4

Put big bins (I) and middle bins (J) onto shelf as shown.



Do you have any questions? Missing small parts or hardware?
If you need assistance with the assembly of your WOODEN
STORAGE ORGANIZER please e-mail our Customer Service
Department at:
support@fourstari.com
or call us at (508) 435-4830
or (800) 639-3803

Please include the following information in your email:

- Where item was purchased
- Item, model, style or SKU number listed on instructions or box
- Part number, description of the part and quantity needed

This information will help us get the proper part to you faster