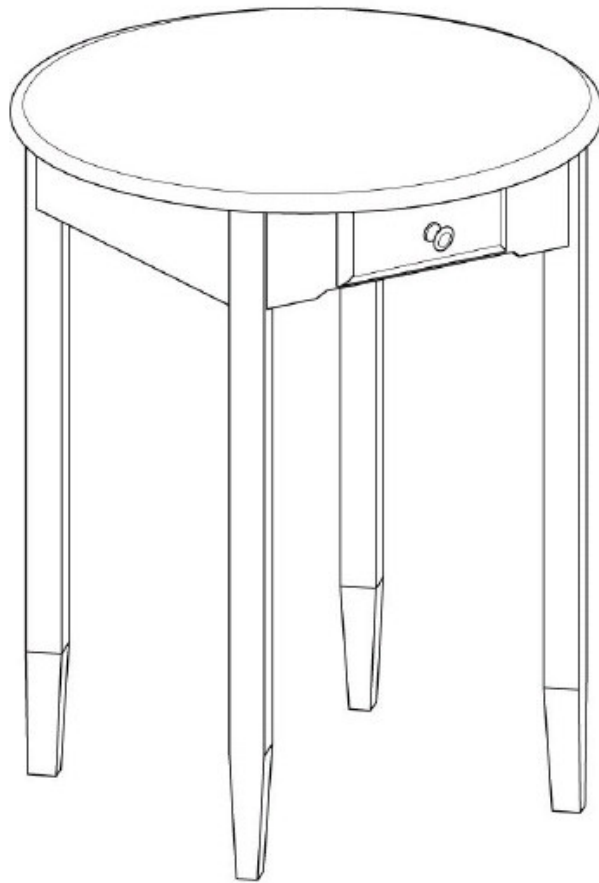







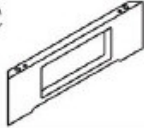

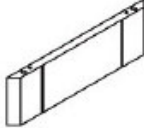
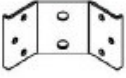








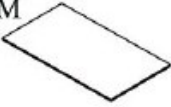




fourstargroup



MODEL: 11221145

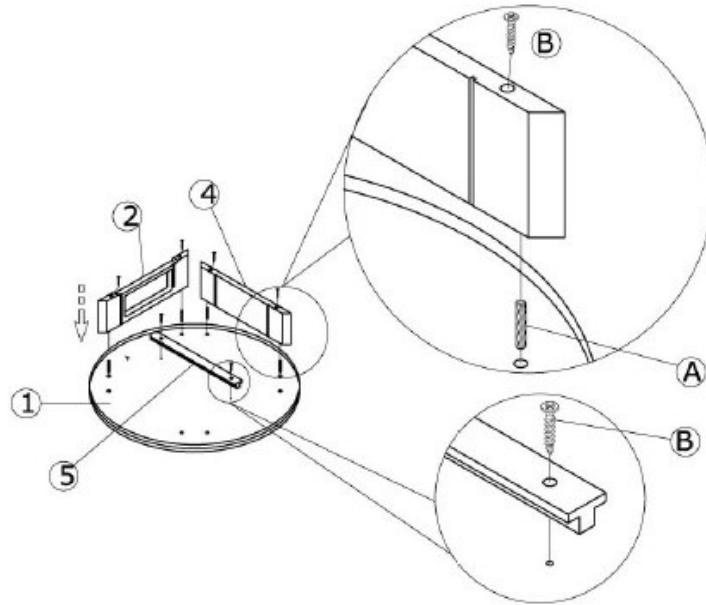
ROUND TABLE

PARTS LIST AND HARDWARE

<p>A. WOOD DOWEL 8PCS</p> 	<p>1. ROUND TOP PANEL 1PC</p> 
<p>B. BIG WOOD SCREW (#7*25) 18PCS</p> 	<p>2. FRONT PANEL 1PC</p> 
<p>C. SMALL WOOD SCREW (#7*15) 24PCS</p> 	<p>3. BACK PANEL 1PC</p> 
<p>D. METAL PLATE 4PCS</p> 	<p>4. SIDE PANEL 2PCS</p> 
<p>E. ALLEN WRENCH 1PC</p> 	<p>5. WOOD BAR 1PC</p> 
<p>F. BIG BOLT 8PCS</p> 	<p>6. LEG 4PCS</p> 
<p>G. SPRING WASHER 8PCS</p> 	<p>7. DRAWER FRONT PANEL 1PC</p> 
<p>H. WASHER 8PCS</p> 	<p>8. DRAWER BOTTOM PANEL 1PC</p> 
<p>I. SMALL BOLT 1PC</p> 	<p>9. DRAWER BACK PANEL 1PC</p> 
<p>J. KNOB 1PC</p> 	<p>10. DRAWER SIDE PANEL 2PCS</p> 

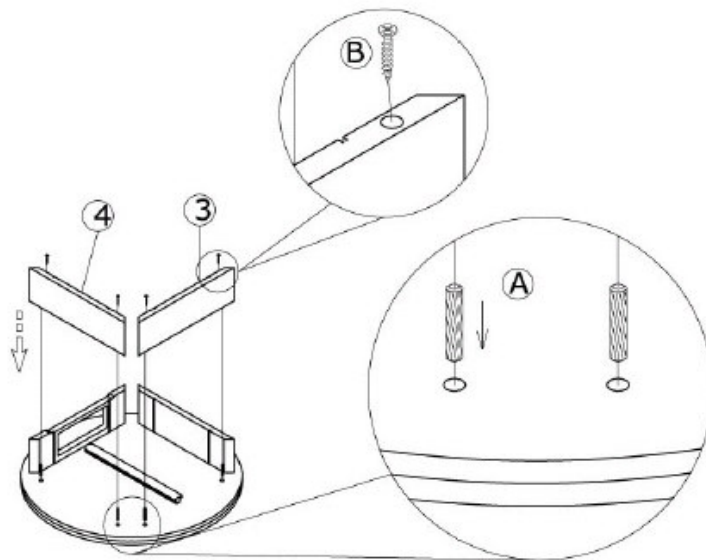
STEP 1

Attach front panel (2) and side panel (4) to round top panel (1) using big wood screw (B) and wood dowel (A) as shown, then attach wood bar (5) to round top panel (1) using big wood screw (B) as shown.



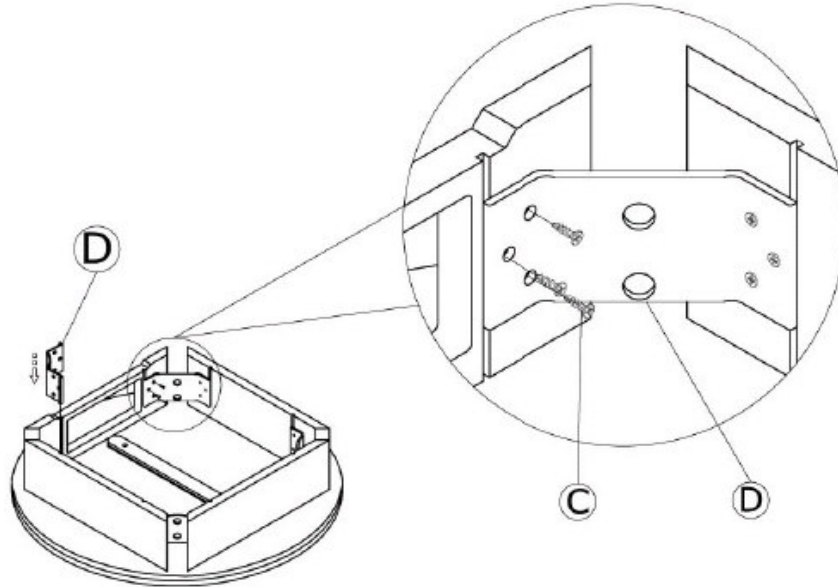
STEP 2

Attach back panel (3) and side panel (4) to round top panel (1) using big wood screw (B) and wood dowel (A) as shown.



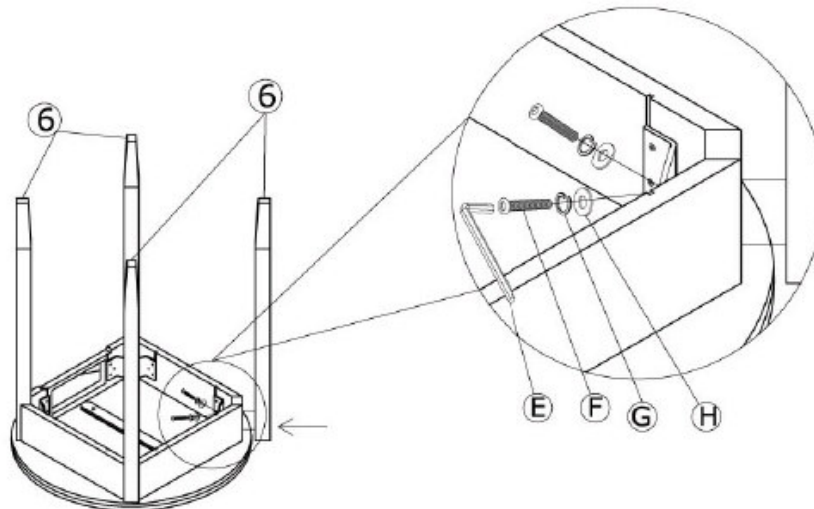
STEP 3

Attach metal plate (D) to connect front panel (2) and side panel (4), side panel (4) and back panel (3) using small wood screw (C) as shown.



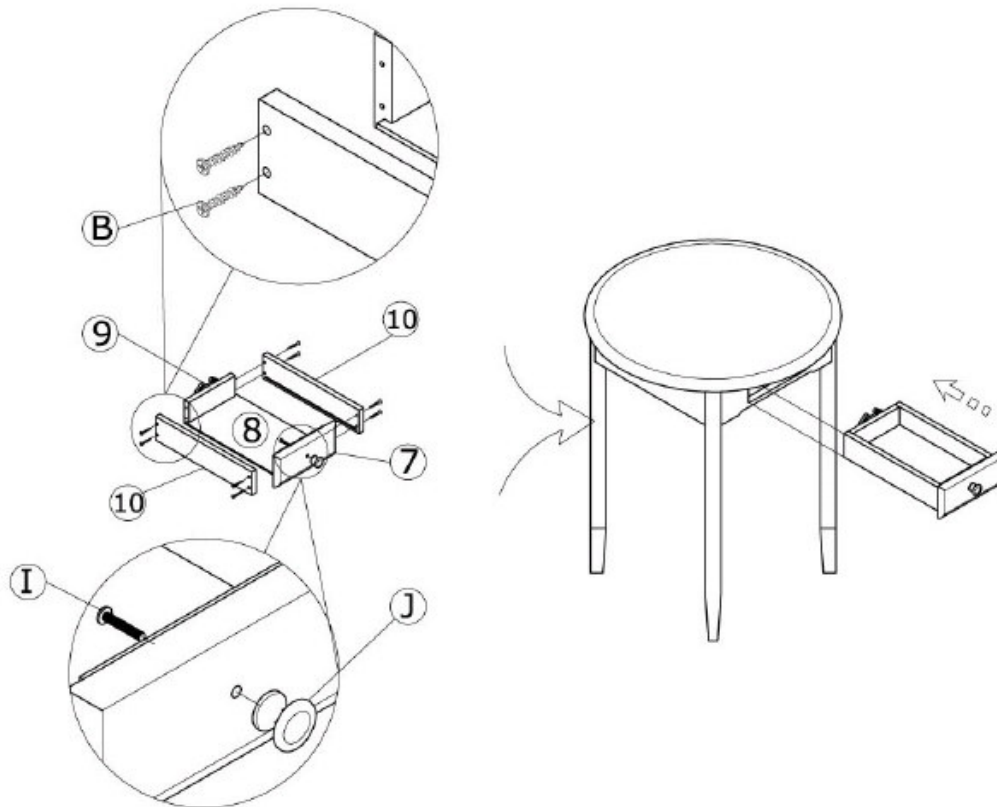
STEP 4

Attach each leg (6) to each metal plate (D) using big bolt (F), spring washer (G) and washer (H) by allen wrench (E) as shown.



STEP 5

Connect the drawer front panel (7), drawer side panel (10), drawer back drawer (9) and drawer bottom panel (8) using big wood screw (B) as shown, then attach knob (J) to the drawer front panel (7) using small bolt (I) as shown, at last push the drawer to wood bar (5) from the front panel (2) as shown.



Do you have any questions? Missing small parts or hardware?
If you need assistance with the assembly of your
ROUND TABLE please e-mail our
Customer Service Department at:
support@fourstari.com
or call us at (508) 435-4830
or (800) 639-3803

Please include the following information in your email:

- Where item was purchased
- Item, model, style or SKU number listed on instructions or box
- Part number, description of the part and quantity needed

This information will help us get the proper part to you faster