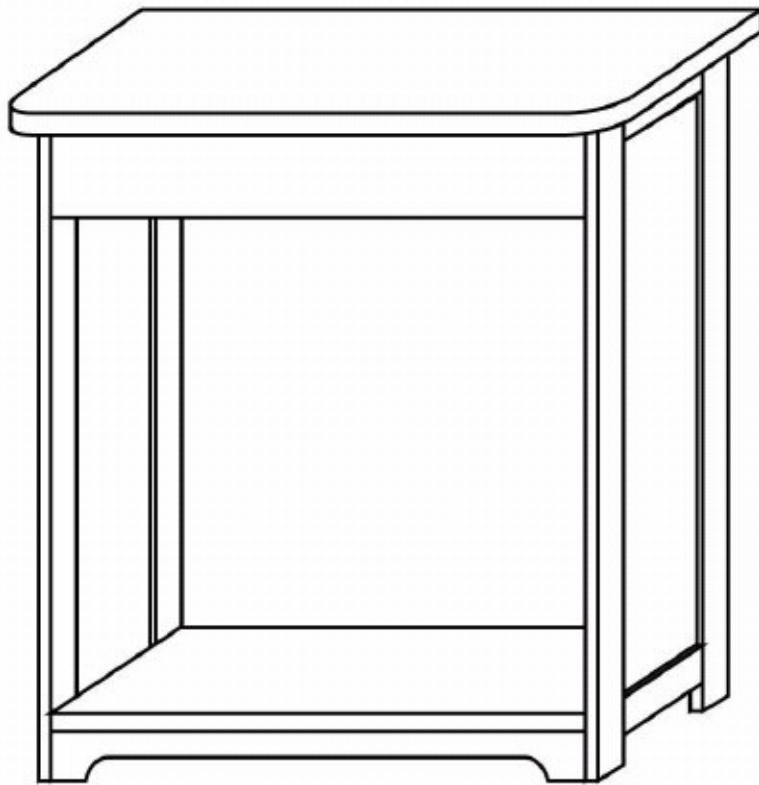




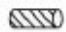
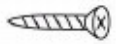



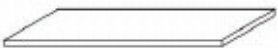



fourstargroup



MODEL: 11221067

## **TWO TIER END TABLE**

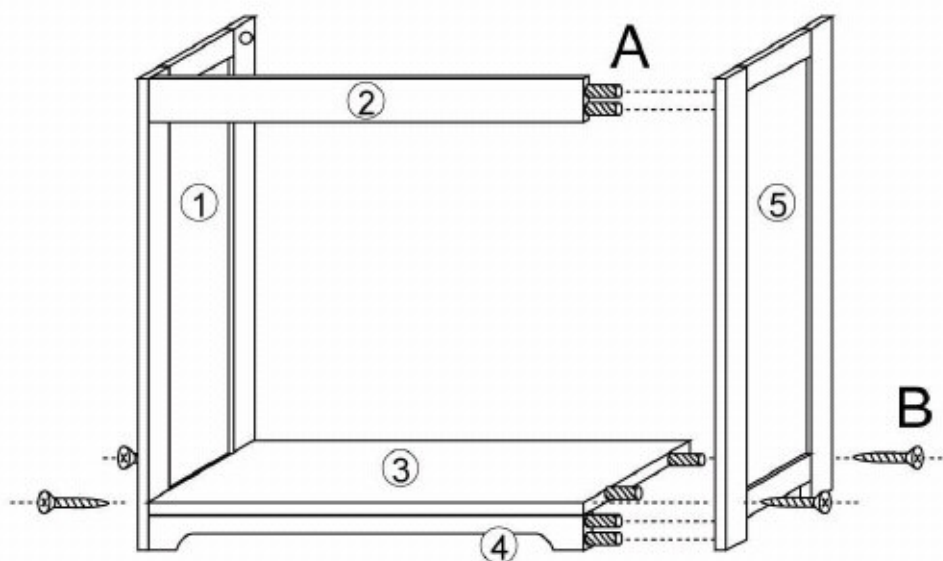
## PARTS LIST AND HARDWARE

A		Wood dowel	16PCS
B		Wood screw	4PCS
C		Camlock	4PCS
①		Left side panel	1PC
②		Top crossbar	1PC
③		Bottom panel	1PC
④		Bottom crossbar	1PC
⑤		Right side panel	1PC
⑥		Top panel	1PC

## ASSEMBLY INSTRUCTIONS

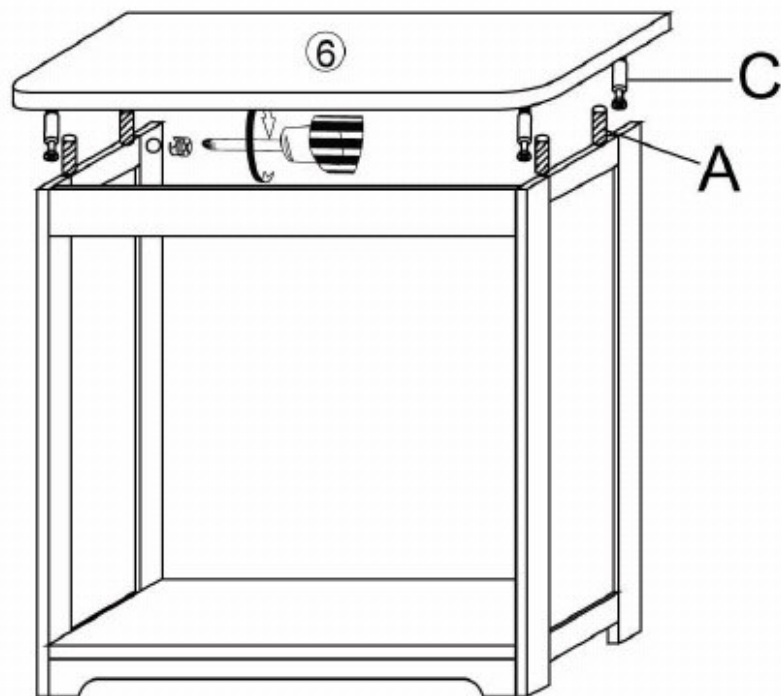
### STEP 1

Attach top crossbar (2), bottom panel (3) and bottom crossbar (4) to left side panel (1) using wood dowel (A) and wood screw (B), then attach right side panel (5) to top crossbar (2), bottom panel (3) and bottom crossbar (4) using wood dowel (A) and wood screw (B) as shown.



## STEP 2

Attach top panel (6) to left side panel (1) and right side panel (5) using wood dowel (A) and camlock (C) as shown.



Do you have any questions? Missing small parts or hardware?  
If you need assistance with the assembly of your TWO TIER  
END TABLE please e-mail our Customer Service Department at:  
[support@fourstari.com](mailto:support@fourstari.com)  
or call us at (508) 435-4830  
or (800) 639-3803

Please include the following information in your email:

- Where item was purchased
- Item, model, style or SKU number listed on instructions or box
- Part number, description of the part and quantity needed

This information will help us get the proper part to you faster