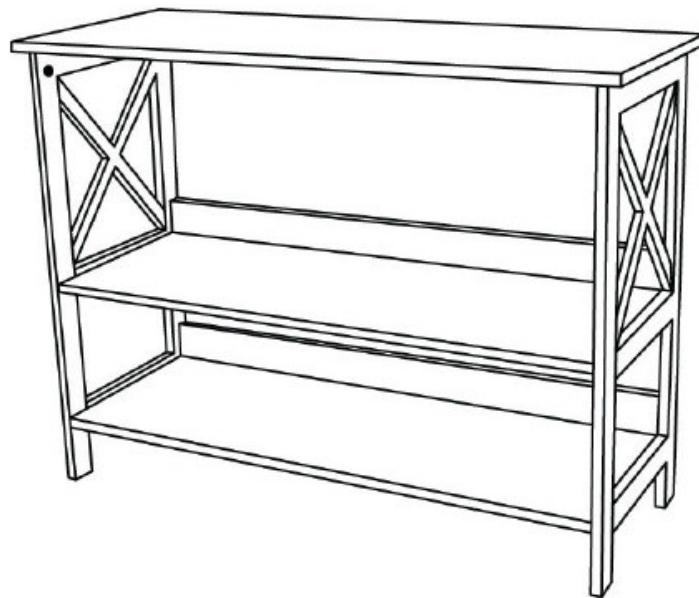





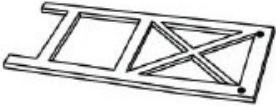





fourstargroup



MODEL: 11220928

WOODEN BOOKCASE

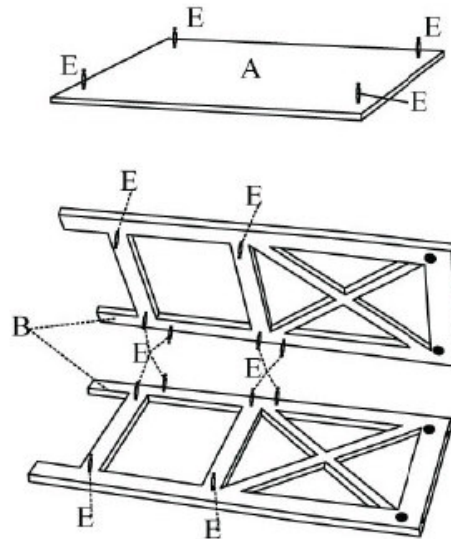
PARTS LIST AND HARDWARE

A		TOP PANEL	1PC
B		SIDE SHELF	2PCS
C		SHELF	2PCS
D		CROSS BAR	2PCS
E		CAMLOCK PIN	16PCS
F		CAMLOCK	16PCS
G		WOOD SCREW	4PCS

ASSEMBLY INSTRUCTIONS

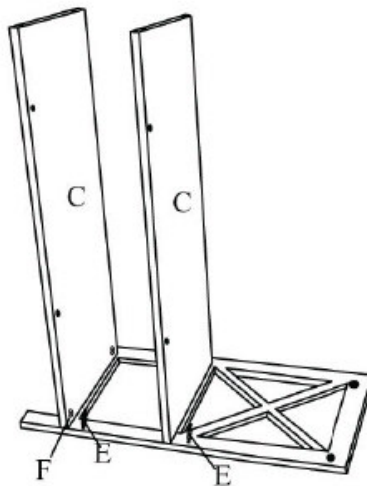
STEP 1

Screw camlock pins (E) on top panel (A) and side panels (B) as shown.



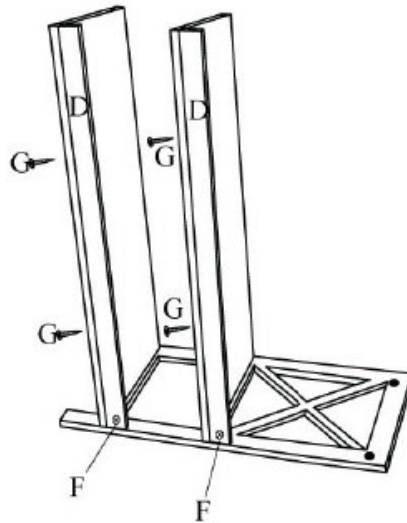
STEP 2

Attach shelves (C) on side panel (B) using camlock (F) as shown.



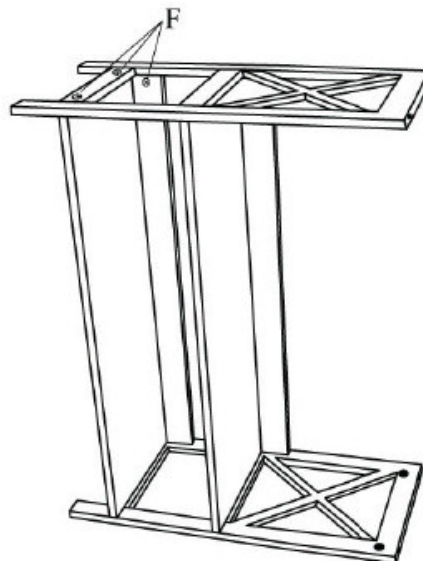
STEP 3

Attach crossbar (D) to each shelf using wood screw(G) and camlock (F) as shown..



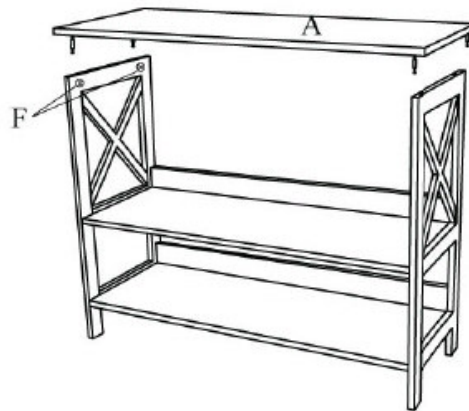
STEP 4

Attach other side panel (B) to each shelf using camlock(F) as shown.



STEP 5

Attach top panel (A) to each side panel using camlock(F) as shown.



Do you have any questions ? Missing small parts or hardware ?

If you need assistance with the assembly of your

WOODEN BOOKCASE please e-mail our

Customer Service Department at:

support@fourstari.com

or call us at (508) 435-4830

or (800) 639-3803

Please include the following information in your email:

- Where item was purchased

- Item, model, style or SKU number listed on instructions or box

- Part number, description of the part and quantity needed

This information will help us get the proper part to you faster