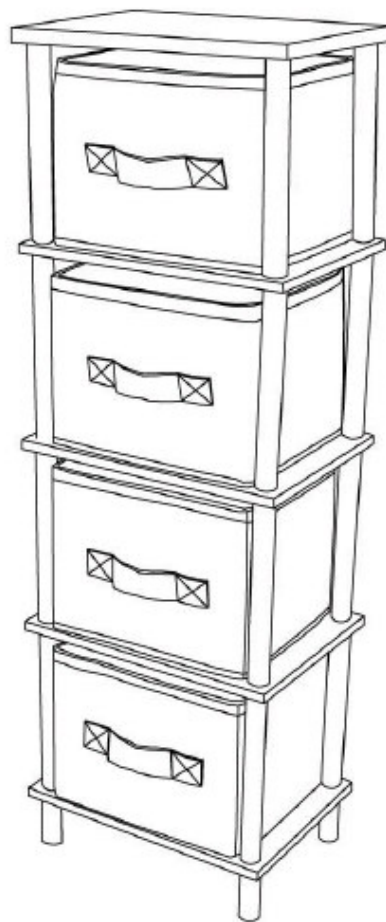










fourstargroup



MODEL: 11220856FW

4 BINS STORAGE ORGANIZER

PARTS AND HARDWARE

A	TOP PANEL (1PC)	
B	TOP SPINDLE — SHORT WOOD SCREWS ON ENDS (4PCS) (*NOTE: IMPORTANT TO USE THESE WHERE SHOWN OR SCREWS CAN GO THROUGH TOP OF ITEM.)	 SHORT SCREWS
C	MIDDLE SPINDLE (12PCS)	 LONG SCREWS
D	SHELF (4PCS)	
E	FOOT SPINDLE (4PCS)	
F	BIN (4PCS)	

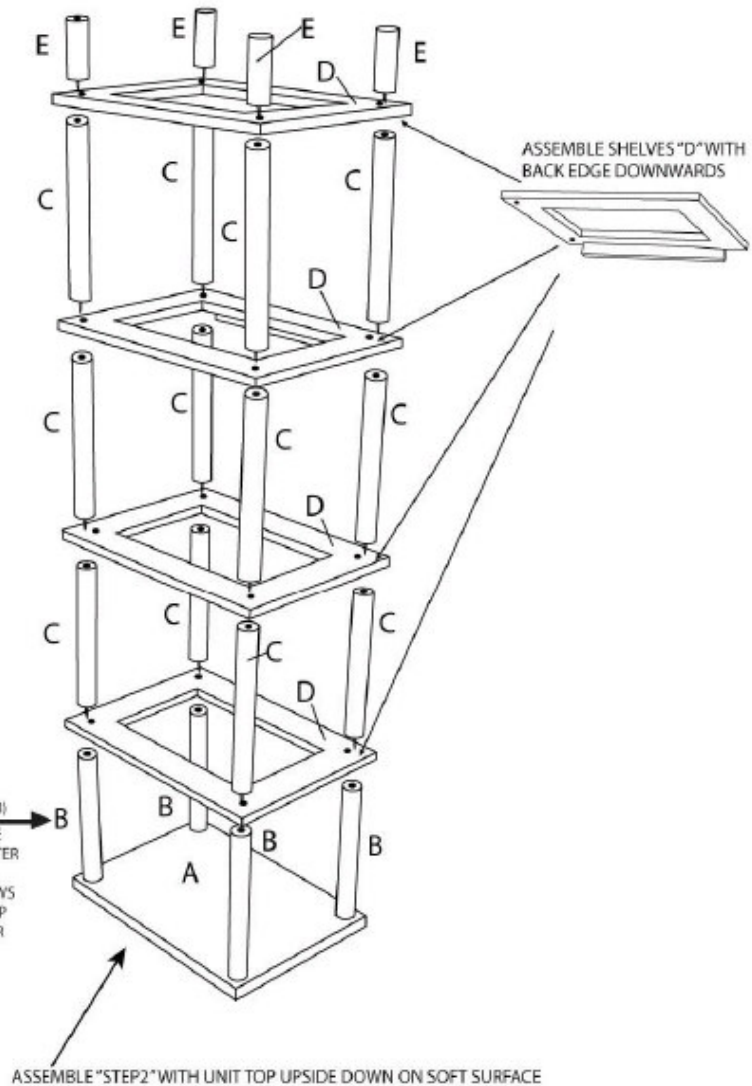


STEP 1:

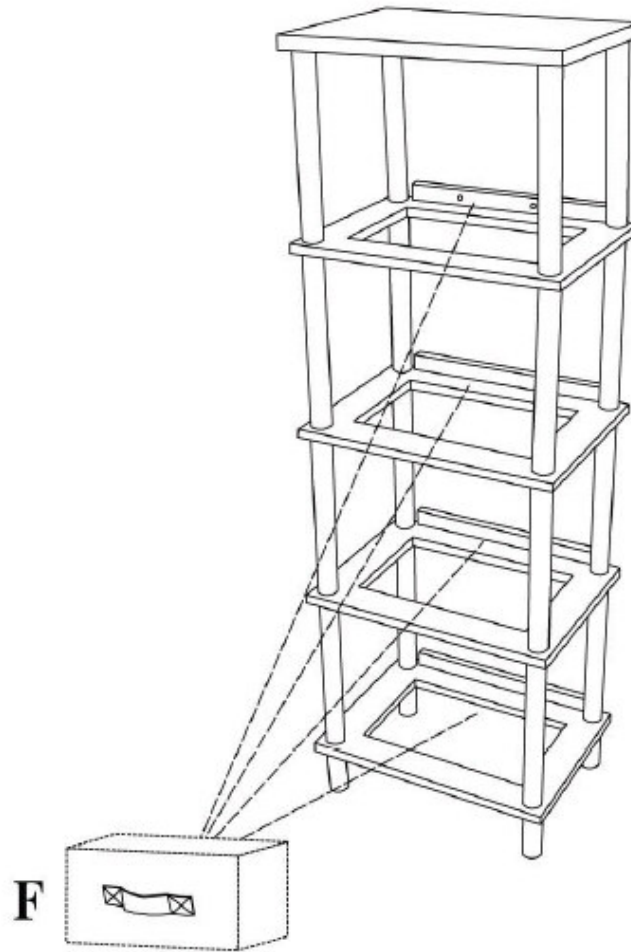
1.1 PLACE TOP PANEL(A) ON SMOOTH SURFACE,SCREW TOP SPINDLES(B) ON TOP PANEL(A) AS SHOWN.

1.2 ATTACH SHELVES(D) USING MIDDLE SPINDLES(C) AS SHOWN.

1.3 SCREW FOOT SPINDLES (E) ON SHELF(D) AS SHOWN.



**STEP 2:
PUT BINS(F) ON EACH SHELF.**



Do you have any questions? Missing small parts or hardware?
If you need assistance with the assembly of your 4 BINS
STORAGE ORGANIZER please e-mail our Customer Service
Department at:
support@fourstari.com
or call us at (508) 435-4830
or (800) 639-3803

Please include the following information in your email:

- Where item was purchased
- Item, model, style or SKU number listed on instructions or box
- Part number, description of the part and quantity needed

This information will help us get the proper part to you faster