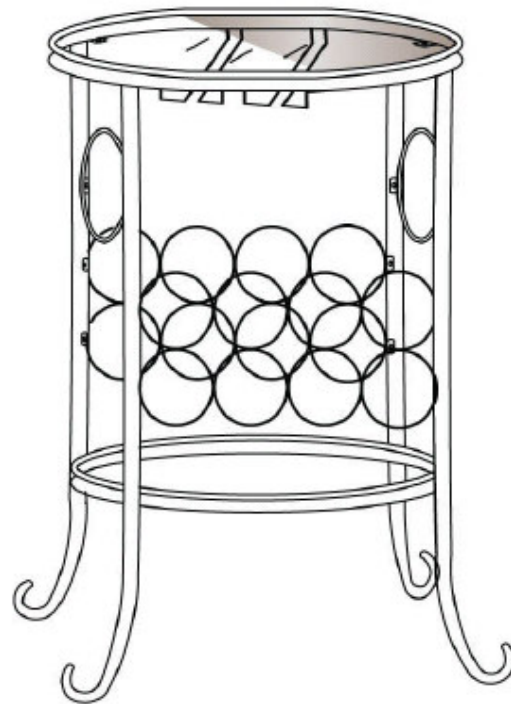










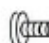


fourstargroup



MODEL: 11220819V

GLASS TOP WINE RACK

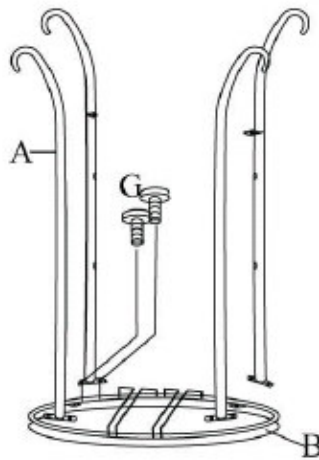
PARTS LIST AND HARDWARE

A		LEG	4PCS
B		TOP FRAME	1PC
C		WINE BOTTLE HOLDER	2PCS
D		LEG CONNECTER	1PC
E		RING	2PCS
F		GLASS TOP	1PC
G		BOLT	24PCS
H		SUCTION CUP	4PCS
I		ALLEN WRENCH	1PC

ASSEMBLY INSTRUCTIONS

STEP 1

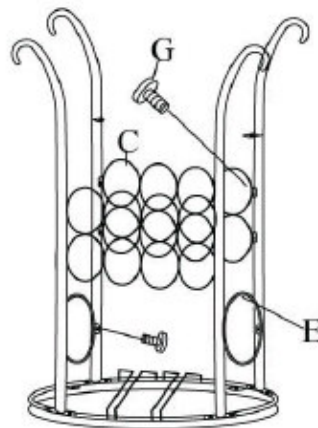
Attach legs (A) to top frame (B) using bolts (G), as shown.



DON'T TIGHTEN ALL BOLTS

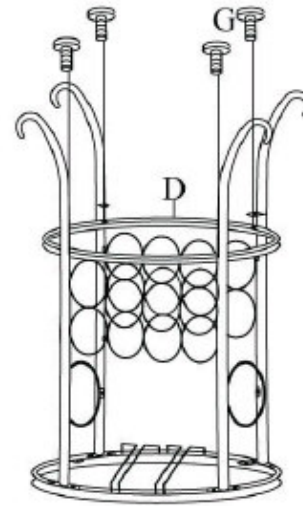
STEP 2

Attach wine bottle holders (C) and rings (E) to each leg using bolts (G), as shown.



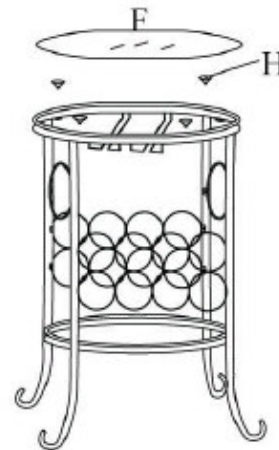
STEP 3

Attach leg connector (D) to each legs using bolts (G) , as shown.



STEP 4

Put suction cups (H) into the holes of the top frame, then place glass top (F) onto the top frame, as shown.



TIGHTEN ALL BOLTS AND SCREW

Do you have any questions ? Missing small parts or hardware ?
If you need assistance with the assembly of your
GLASS TOP WINE RACK please e-mail our
Customer Service Department at:
support@fourstari.com
or call us at (508) 435-4830
or (800) 639-3803

Please include the following information in your email:
• Where item was purchased
• Item, model, style or SKU number listed on instructions
or box
• Part number, description of the part and quantity needed
This information will help us get the proper part to you faster