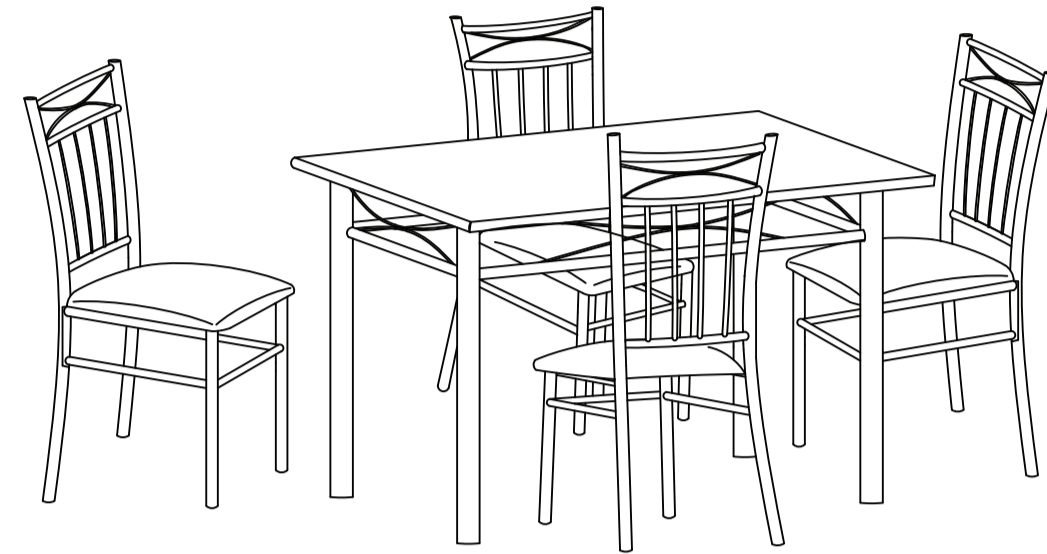


ITEM# 11220455  
 SIZE: 21L X 29.7H(CM)



MODEL: 11220455  
**5 PC METAL / WOOD  
 DINETTE SET**

**P1**

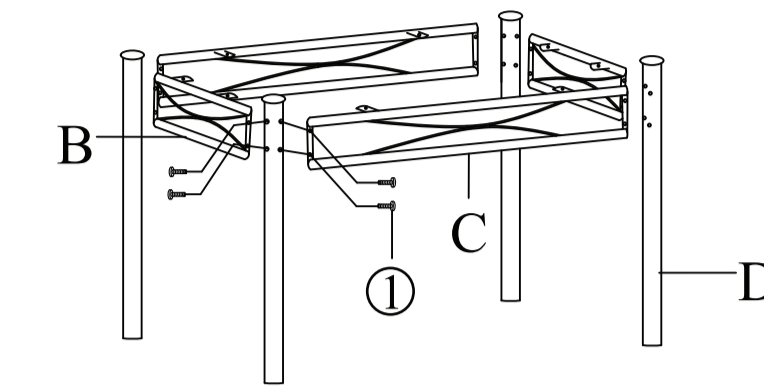
**PARTS LIST AND HARDWARE**

A		TABLE TOP	1PC
B		CONNECTOR (short)	2PCS
C		CONNECTOR (long)	2PCS
D		TABLE LEG	4PCS
E		CHAIR BACK	4PCS
F		LEFT CHAIR LEG	4PCS
G		RIGHT CHAIR LEG	4PCS
H		CUSHION	4PCS
I		CHAIR CONNECTOR	4PCS
①		BOLT 1/2 in.	32PCS
②		BOLT 1-5/8 in.	8PCS
③		WOOD SCREW	24PCS
④		ALLEN WRENCH	1PC

**2**

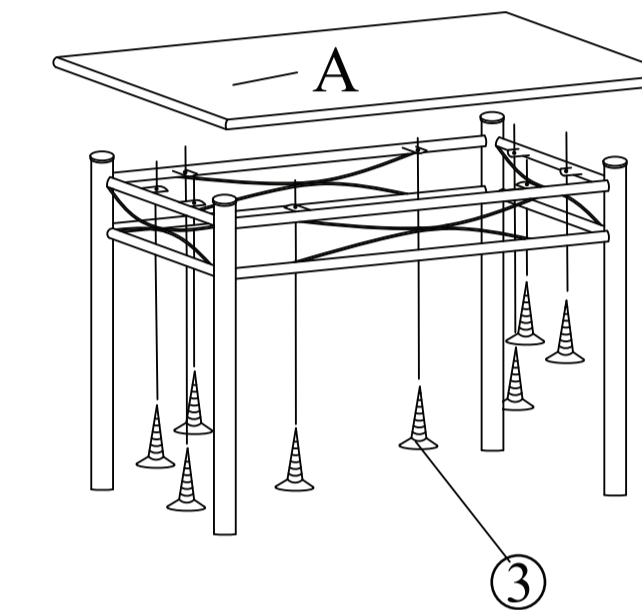
**ASSEMBLY INSTRUCTIONS**

**STEP 1**  
 Attach CONNECTOR (B) and CONNECTOR (C) to each TABLE LEG (D) using BOLT (①) as shown.



**\*IMPORTANT: DO NOT TIGHTEN BOLTS AT THIS TIME\***

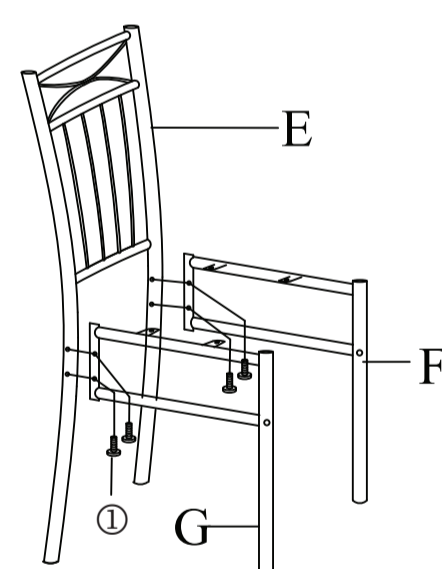
**STEP 2**  
 Attach TABLE TOP (A) onto table frame (Step 1) using WOOD SCREW (③) as shown.



**\*IMPORTANT: TIGHTEN ALL BOLTS\***

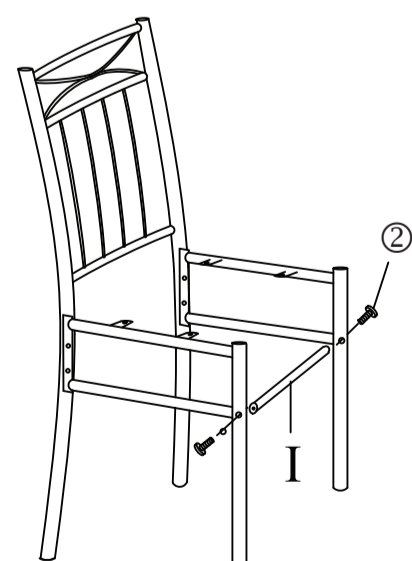
**3**

**STEP 3**  
 Attach CHAIR LEG (F) and (G) to CHAIR BACK (E) using BOLT (①) as shown.



**\*IMPORTANT: DO NOT TIGHTEN BOLTS AT THIS TIME\***

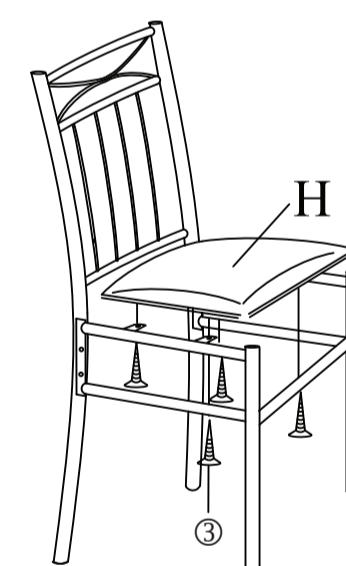
**STEP 4**  
 Attach CHAIR CONNECTOR (I) to each Leg using BOLT (②) as shown.



**\*IMPORTANT: DO NOT TIGHTEN BOLTS AT THIS TIME\***

**4**

**STEP 5**  
 Attach CUSHION (H) onto CHAIR frame using WOOD SCREW (③) as shown.



**TIGHTEN ALL BOLTS.**

**5**

Do you have any questions? Missing small parts or hardware?  
 If you need assistance with the assembly of your 2 DRAWER  
 5 PC METAL / WOOD DINETTE SET please e-mail our  
 Customer Service Department at:  
 support@fourstargroup.com  
 or call us at (508) 435-4830  
 or (800) 639-3803

Please include the following information in your email:  
 • Where item was purchased  
 • Item, model, style or SKU number listed on instructions  
 or box  
 • Part number, description of the part and quantity needed  
 This information will help us get the proper part to you faster

CUSTOMER	ITEM NO.	ITEM DESCRIPTION	A/W NO.	MSR	DESIGNER	DATE
FRED'S	11220455	5 PC METAL/WOOD DINETTE SET	0710026	Black	Ariel	2/07 10/31

This proprietary artwork and concepts are copyright designs of Fourstar Group Inc. 2006.  
 No part of this artwork may be reproduced or transmitted in any form without prior approval of customer.