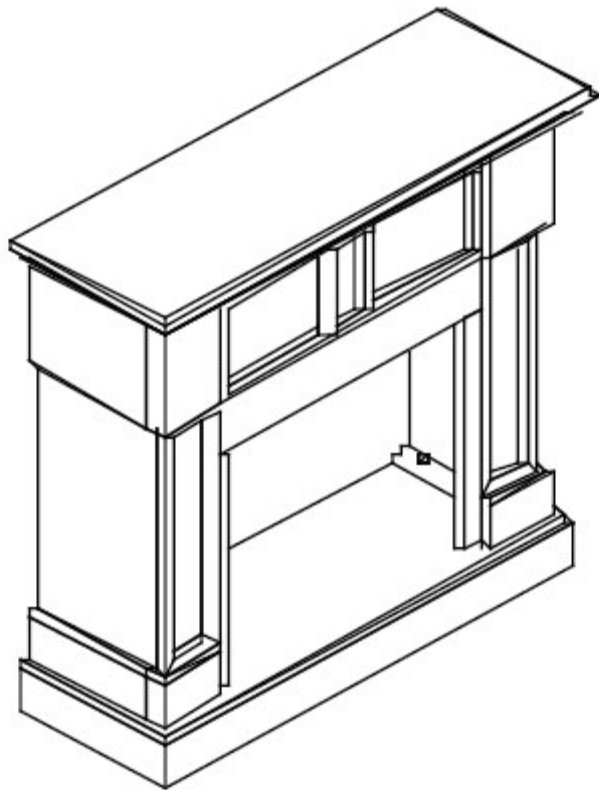
















fourstargroup



MODEL: 11219194S

OAK FIREPLACE

PARTS LIST AND HARDWARE

<p>A. LEFT STAND 1PC</p> 	<p>B. RIGHT STAND 1PC</p> 
<p>C. LEFT PANEL 1PC</p> 	<p>D. RIGHT PANEL 1PC</p> 
<p>E. BASE 1PC</p> 	<p>F. FRONT PANEL 1PC</p> 
<p>G. TOP PANEL 1PC</p> 	<p>① FLAT WASHER 18PCS</p> 
<p>② SPRING WASHER 18PCS</p> 	<p>③ ALLEN BOLT 18PCS</p> 
<p>④ ALLEN WRENCH 1PC</p> 	<p>⑤ WOODEN DOWEL 2PCS</p> 

ASSEMBLY INSTRUCTIONS

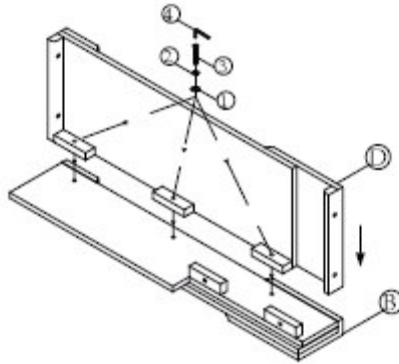
STEP 1

You may need two people to complete these steps easily !!!

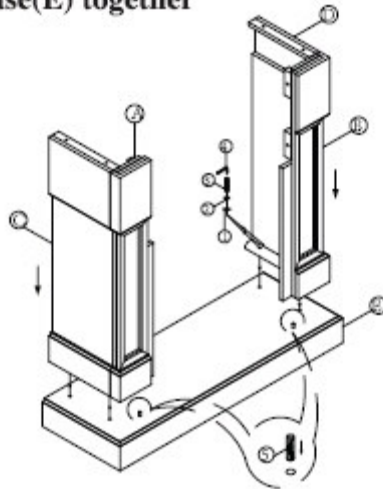
To avoid scratches and damage, complete all assembly steps on a flat, soft surface.

Assemble right stand(B) and right panel(D) together with flat washer(1), spring washer(2), allen bolt(3), using allen wrench(4) to tighten them .

Then repeat the same steps to assemble left stand(A) and left panel(C) together .



Insert wooden dowel(5) to the pre-drilled holes first, then assemble right stand(B), right panel(D), base(E) together with flat washer(1), spring washer(2), allen bolt(3), using allen wrench(4) to tighten them as shown in DIAGRAM#1; And then repeat the same steps to assemble left stand (A), left panel (C), base(E) together

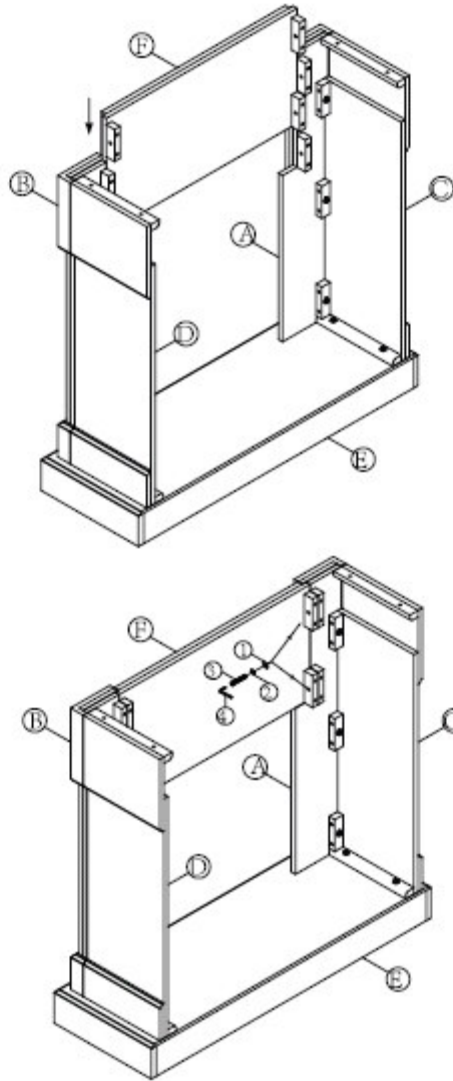


ATTN :Do not tighten bolts fully until all parts have been assembled

DIAGRAM#1

STEP 2

Assemble front panel(F).left stand(A).right stand(B) together with flat washer(1).spring washer (2).allen bolt(3) using allen wrench(4) to tighten them as shown in DIAGRAM#2 .

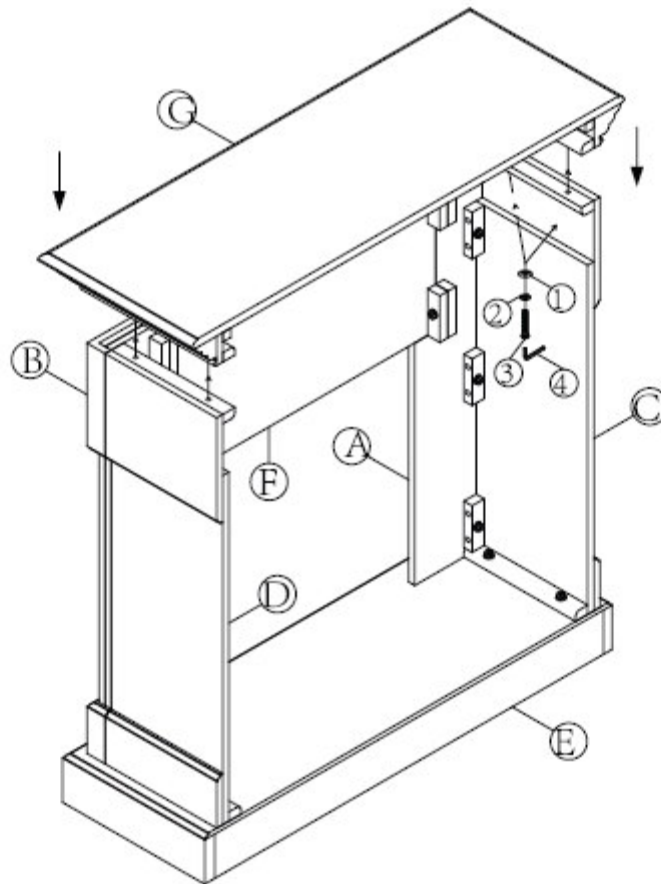


ATTN: Do not tighten bolts fully until all parts have been assembled

DIAGRAM#2

STEP 3

Assemble top panel(G).left panel(C).right panel(D) together with flat washer(1).spring washer(2).allen bolt(3) and tighten them as shown in DIAGRAM#3.

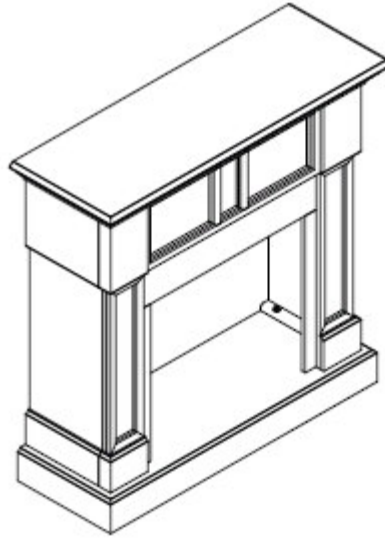


ATTN: Do not tighten bolts fully until all parts have been assembled

DIAGRAM#3

STEP 4

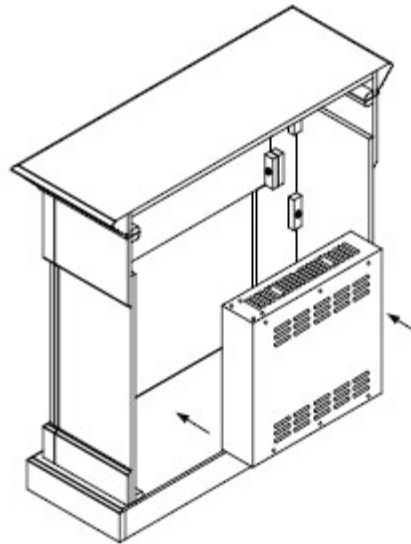
Tighten all bolts fully and stand upright, as shown in DIAGRAM#4



DIAGRAM#4

STEP5

Insert heating unit as shown.



Do you have any questions? Missing small parts or hardware?
If you need assistance with the assembly of your
OAK FIREPLACE please e-mail our
Customer Service Department at:
support@fourstari.com
or call us at (508) 435-4830
or (800) 639-3803

Please include the following information in your email:

- Where item was purchased
- Item, model, style or SKU number listed on instructions or box
- Part number, description of the part and quantity needed

This information will help us get the proper part to you faster