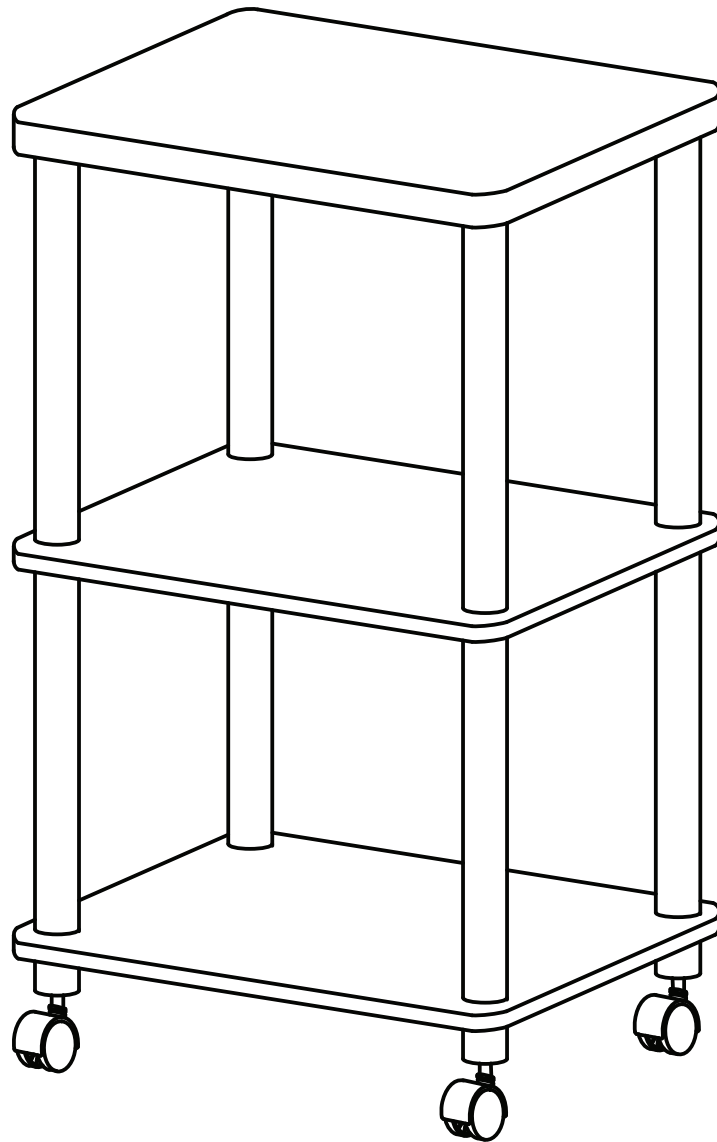




fourstargroup

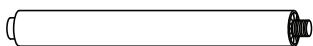





MODEL: 11213631

**MULTI-PURPOSE
KITCHEN CART**

PARTS LIST AND HARDWARE

NO	PARTS LIST	QTY
A	TOP PANEL	1 PC
B	SHELF PANEL	3 PCS

NO	HARDWARE LIST	QTY
1	LONG PVC TUBE 	8 PCS
2	PVC INSERT CAP 	4 PCS
3	PVC LEG 	4 PCS
4	38MM x 40MM SOCKET CASTER 	4 PCS

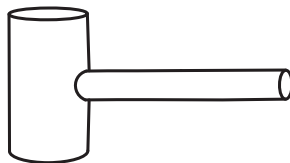
**BEFORE YOU BEGIN,
PLEASE FOLLOW ASSEMBLY INSTRUCTIONS CAREFULLY.
FOLLOW THEM STEP BY STEP.**

CAUTION:

- 1. ADULT SUPERVISION IS REQUIRED DUE TO SMALL PARTS.
CARE SHOULD BE TAKEN IN THE UNPACKING AND
ASSEMBLY OF THE PRODUCT.**
- 2. ASSEMBLE ON SOFT SURFACES TO PREVENT DAMAGE TO
THE PRODUCT FINISH.**
- 3. MAKE SURE ALL PARTS ARE INCLUDED BEFORE ASSEMBLY.**

OPTIONAL ASSEMBLY TOOL

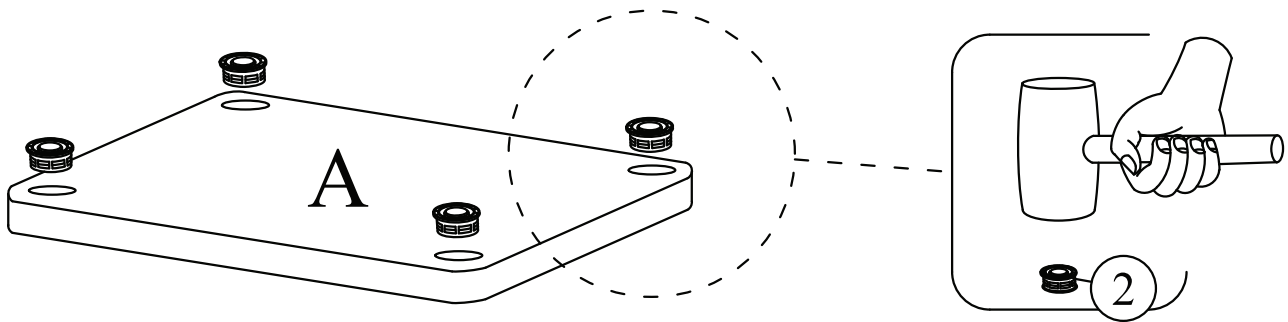
RUBBER MALLET



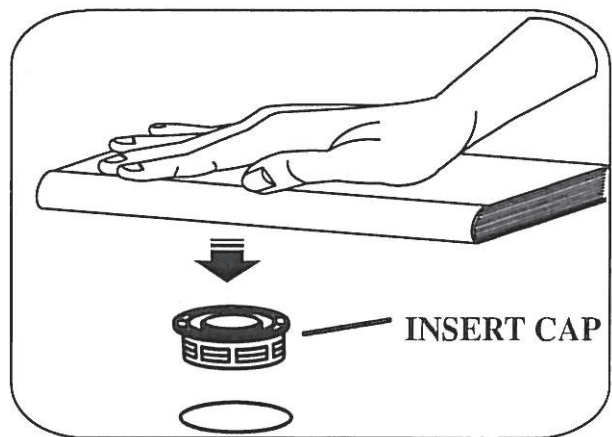
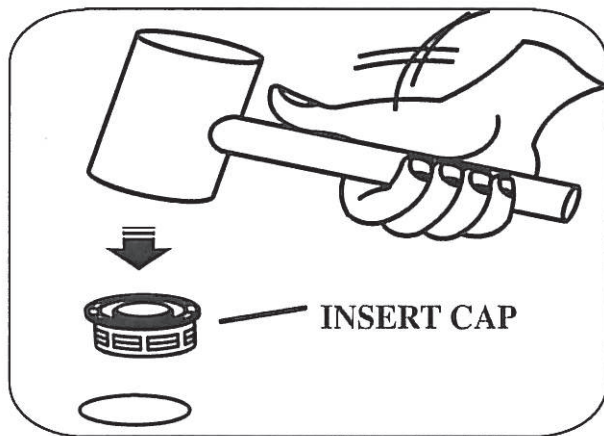
ASSEMBLY INSTRUCTIONS

STEP 1

ATTACHE 4 PIECES OF PVC INSERT CAP (2) TO TOP PANEL AS SHOWN AS SHOWN



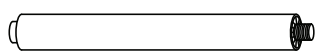
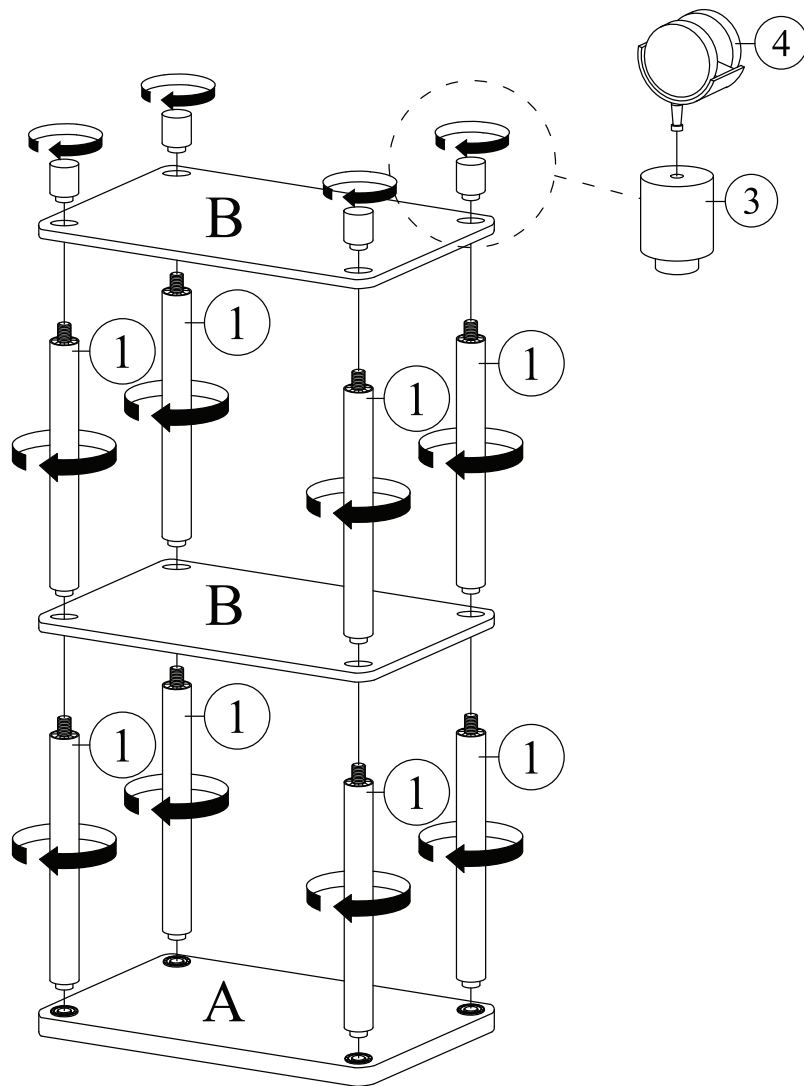
USING EITHER A SOFT RUBBER MALLET OR BY FIRMLY PRESSING THE INSERT CAPS INTO THE TOP PANEL USING THE FLAT SIDE OF A BOOK OR OTHER HARD FLAT SUREFACE TO PRESS THE CAPS INTO THE PANEL.



PVC INSERT CAP 4PCS

STEP 2

SCREW PVC LEGS (3) AND LONG TUBE (1) INTO TOP PANEL (A) AND SHELF PANEL (B), THEN ATTACH SOCKET CASTER TO PVC LEG.



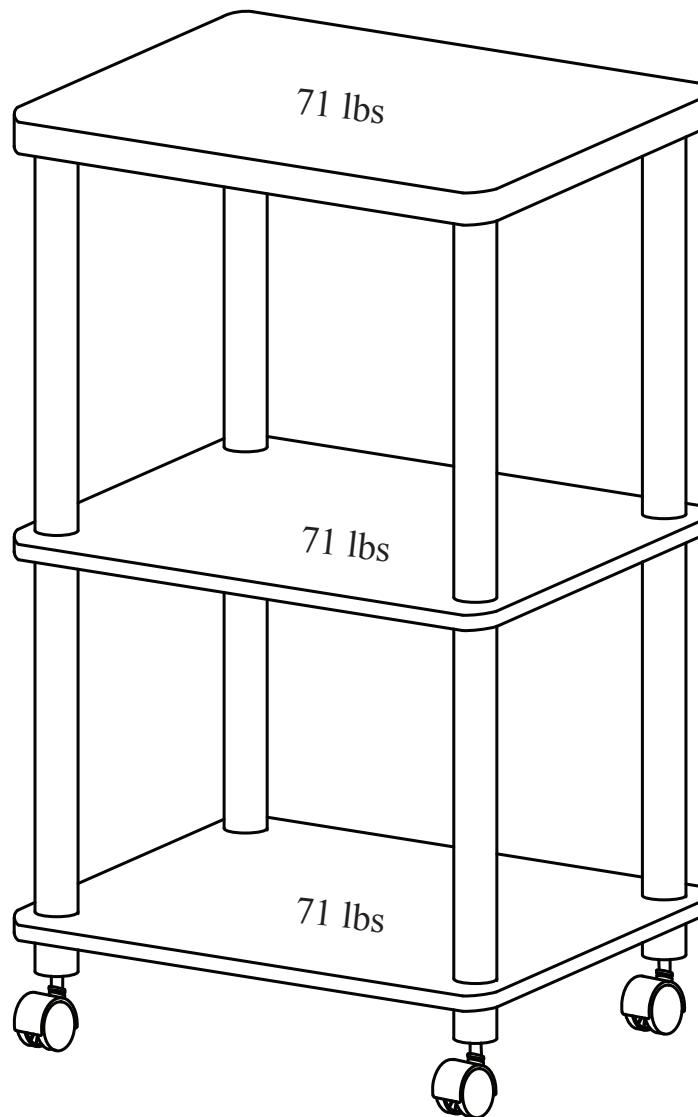
LONG PVC TUBE 8PCS



PVC LEG 4PCS



38MM x 40MM SOCKET CASTER 4PCS



This unit is intended for use only with the products and maximum weights indicated. Use with other products or products heavier than the maximum weights indicated may result in instability causing possible injury. Furniture can tip over or break if improperly moved. Have a friend help to lift and carry the unit to its new location.

Do you have any questions? Missing small parts or hardware?
If you need assistance with the assembly of your
MULTI-PURPOSE KITCHEN CART
please e-mail our Customer Service Department at:
support@fourstari.com
or call us at (508) 435-4830
or (800) 639-3803

Please include the following information in your email:

- Where item was purchased
- Item, model, style or SKU number listed on instructions or box
- Part number, description of the part and quantity needed

This information will help us get the proper part to you faster