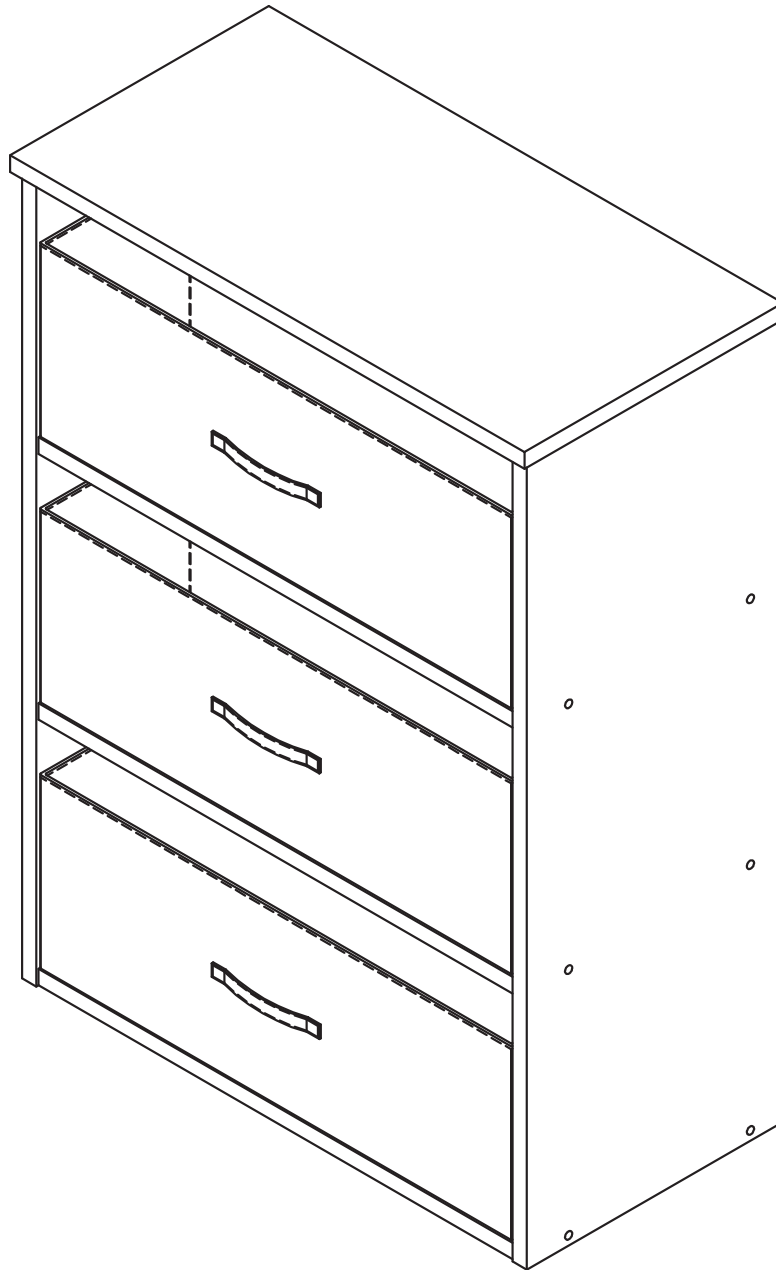




fourstargroup







MODEL: 11213619

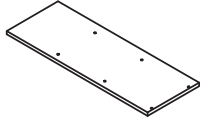
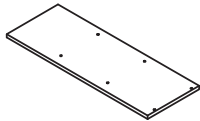
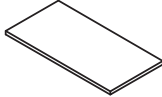
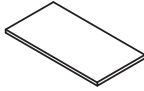
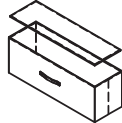
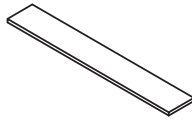
3 STORAGE BIN CABINET

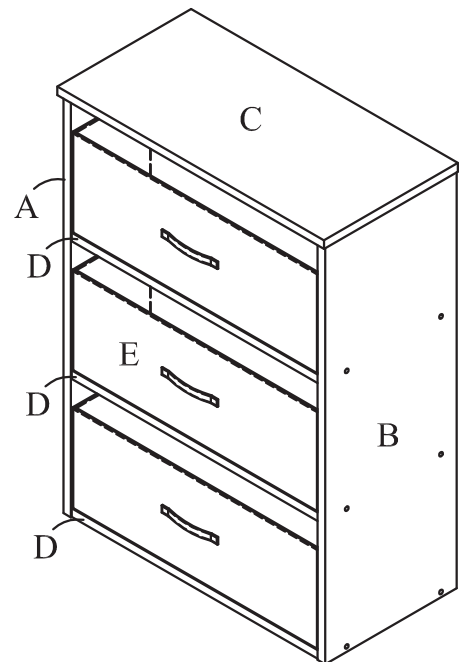
PARTS LIST AND HARDWARE

HARDWARE LIST

1	DOWEL - M6x30mm	(4 PCS)	
2	DOWEL - M5x20mm	(2 PCS)	
3	SCREW	(18 PCS)	
4	GLUE	(1 PC)	

PART LIST

A	SIDE PANEL - L - 1 PC	
B	SIDE PANEL - R - 1 PC	
C	TOP PANEL - 1 PC	
D	FIX PANEL - 3 PCS	
E	STORAGE BIN - 3 PCS	
F	BACK PANEL - 1 PC	



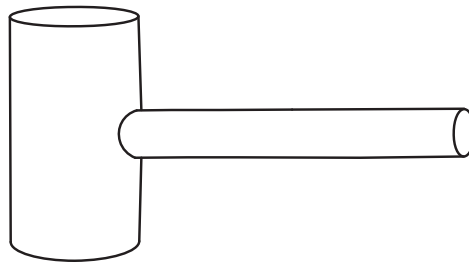
BEFORE YOU BEGIN , PLEASE FOLLOW ASSEMBLY INSTRUCTIONS CAREFULLY. FOLLOW THEM STEP BY STEP.

CAUTION:

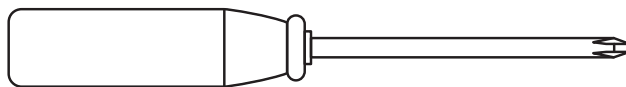
- 1. ADULT SUPERVISION IS REQUIRED DUE TO SMALL PARTS. CARE SHOULD BE TAKEN IN THE UNPACKING AND ASSEMBLY OF THE PRODUCT.**
- 2. ASSEMBLE ON SOFT SURFACES TO PREVENT DAMAGE TO THE PRODUCT FINISH.**
- 3. MAKE SURE ALL PARTS ARE INCLUDED BEFORE ASSEMBLY.**

ASSEMBLY TOOLS REQUIRED

RUBBER MALLET



**PHILIPS
SCREWDRIVER**

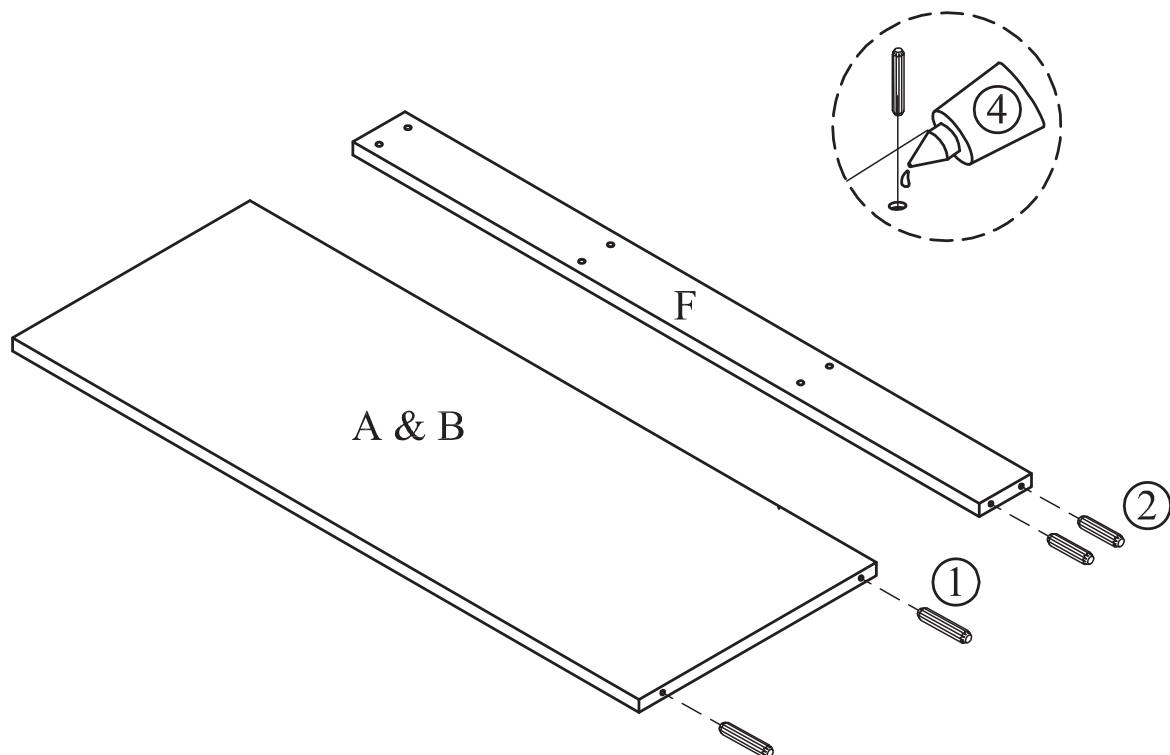


ASSEMBLY INSTRUCTIONS

STEP 1

1.1 INSTALL DOWEL (1) TO SIDE PANEL (A & B) WITH GLUE (4).

1.2 INSTALL DOWEL (2) TO BACK PANEL (F) WITH GLUE (4).



DOWEL - M6x30mm 2PCS



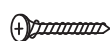
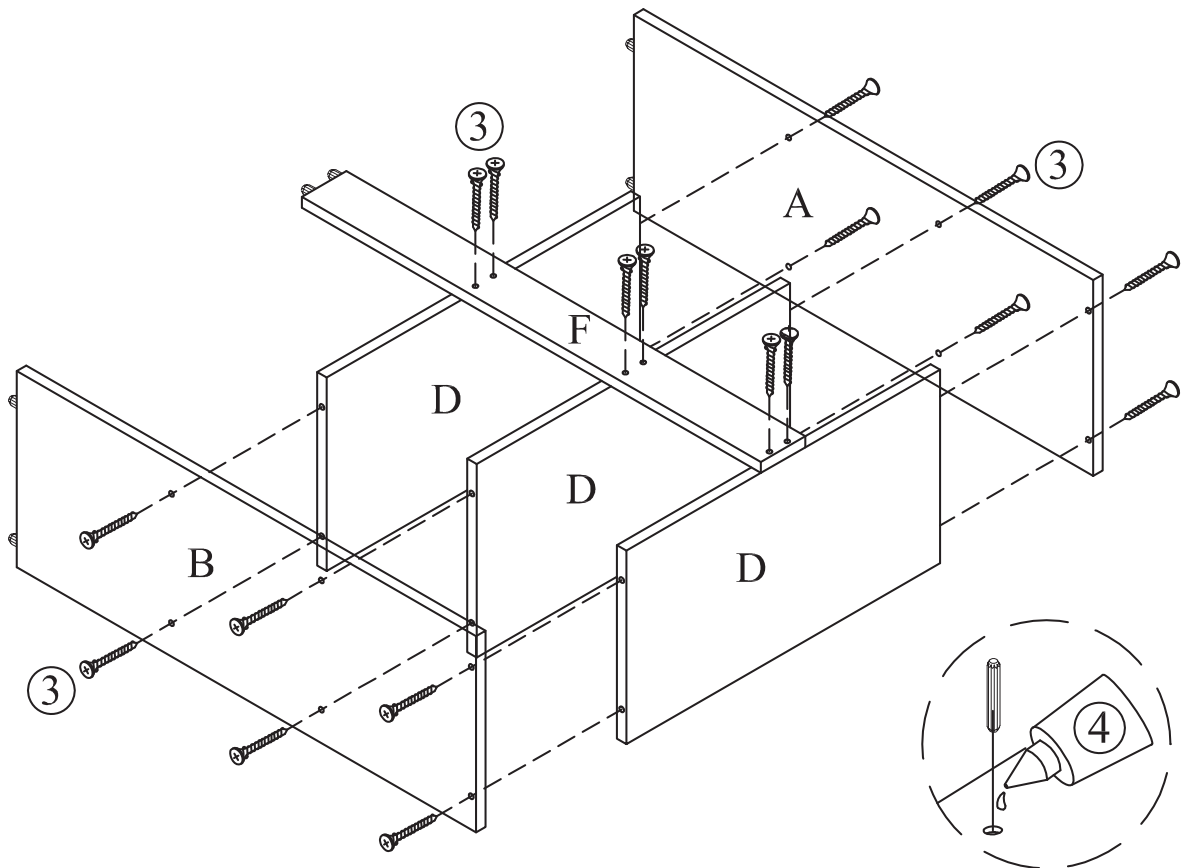
DOWEL - M5x20mm 2PCS



GLUE

STEP 2

-ATTACH FIX PANEL (D) TO SIDE PANEL (A) & (B) AND BACK PANEL (F) WITH GLUE (3).



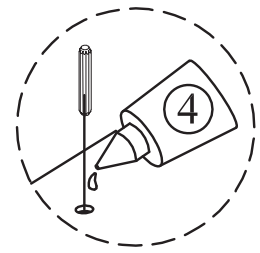
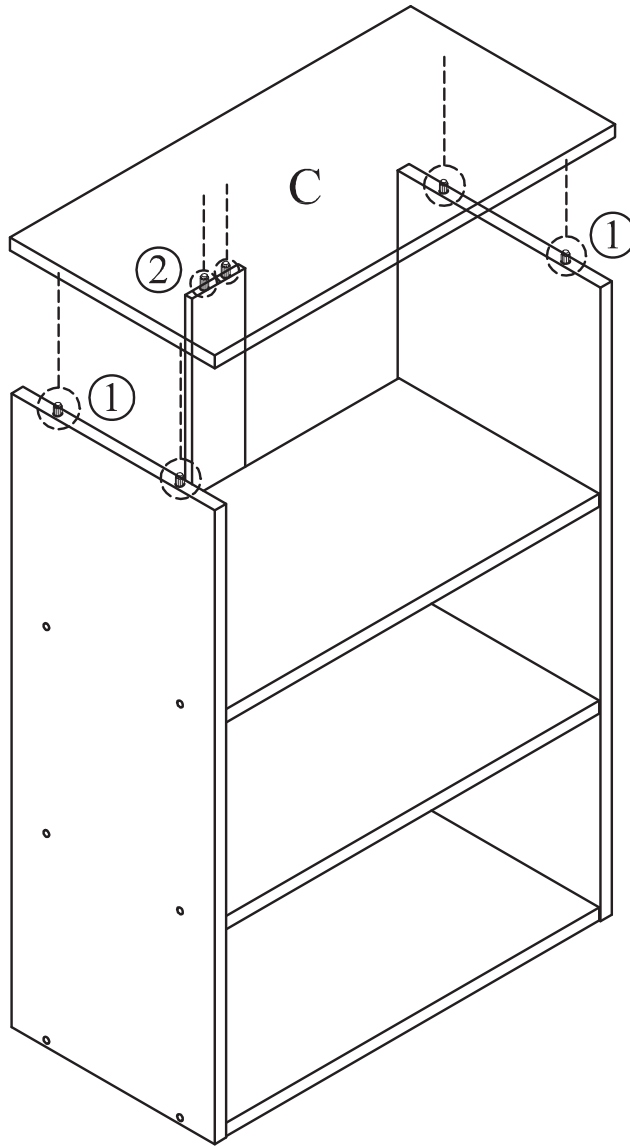
SCREW 18PCS



GLUE

STEP 3

-ATTACH TOP PANEL (C) TO SIDE PANEL (A & B) AND BACK PANEL (F) WITH GLUE (4).



 **DOWEL - M6x30mm** **2PCS**

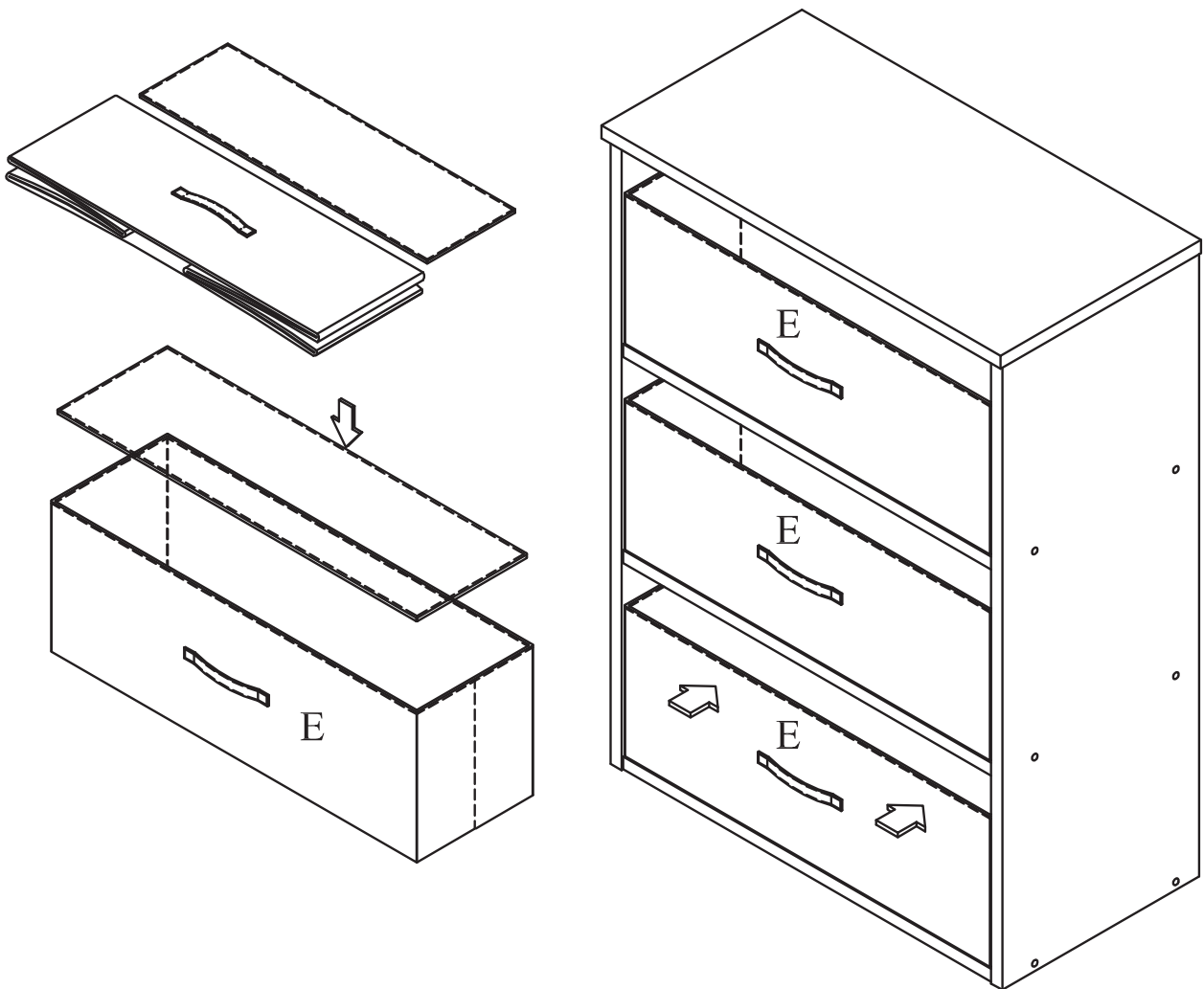
 **DOWEL - M5x20mm** **2PCS**

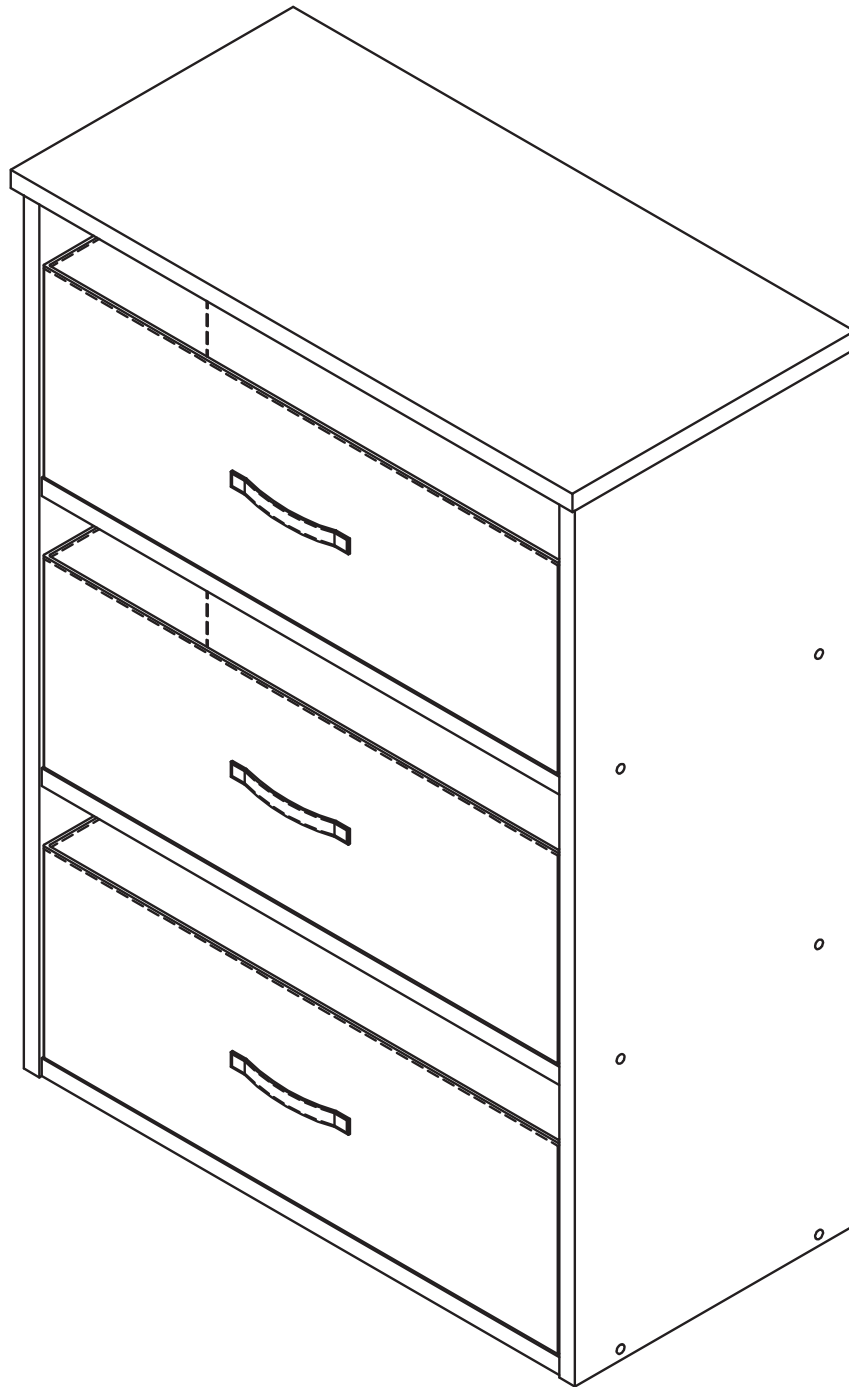
 **GLUE**

STEP 4

-UNFOLD THE DRAWER (E) AND PUT IN THE CARDBOARD, AS SHOWN.

-SLIDE THE DRAWER (G) TO THE ASSEMBLED CABINET AS SHOWN.





Do you have any questions? Missing small parts or hardware?

If you need assistance with the assembly of your

3 STORAGE BIN CABINET

please e-mail our Customer Service Department at:

support@fourstari.com

or call us at (508) 435-4830

or (800) 639-3803

Please include the following information in your email:

- Where item was purchased
- Item, model, style or SKU number listed on instructions or box
- Part number, description of the part and quantity needed

This information will help us get the proper part to you faster