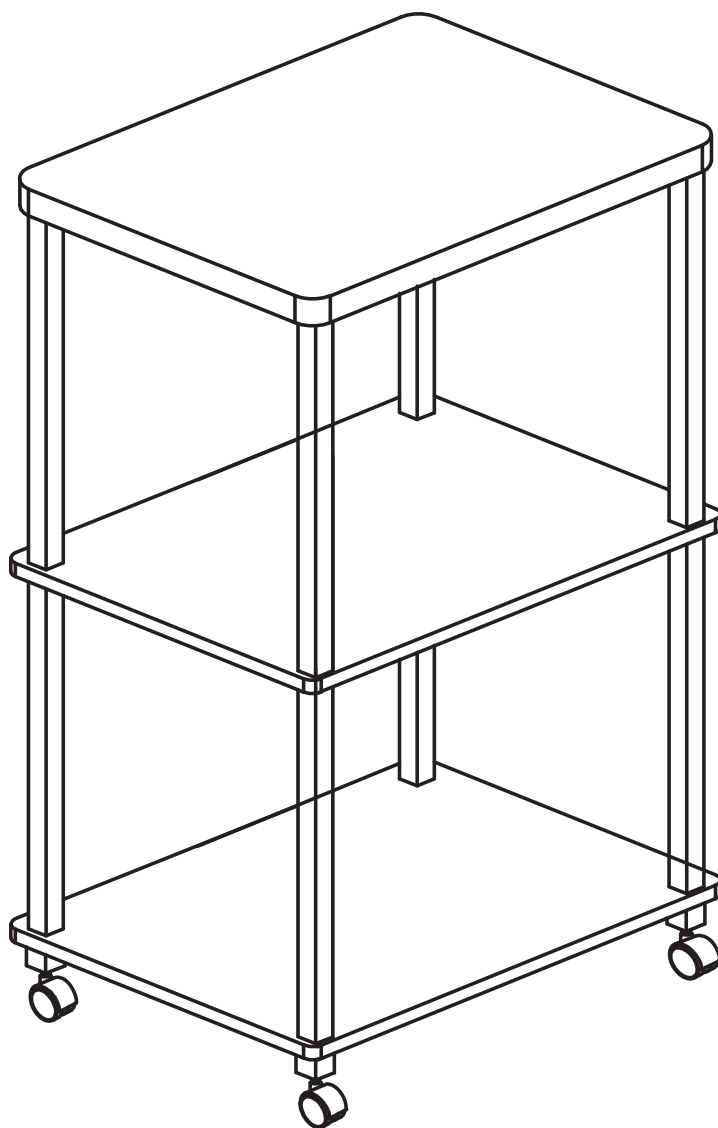




fourstargroup

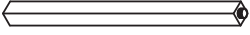





MODEL: 11212856C

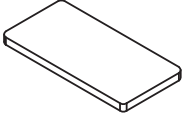
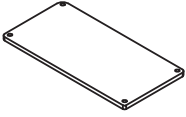
MULTI-PURPOSE UTILITY CART

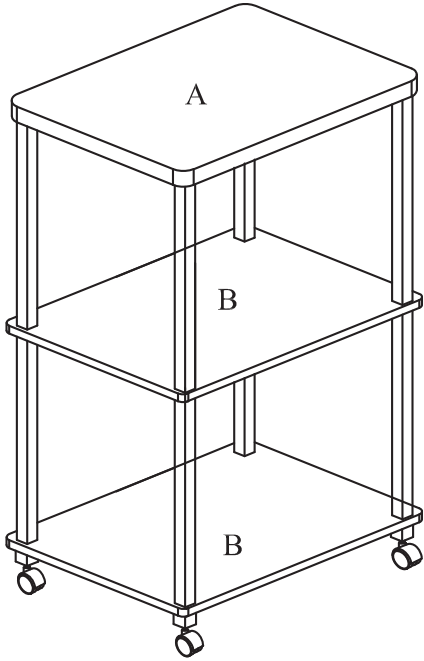
HARDWARE AND PARTS LIST

HARDWARE LIST

1	POLE	(8 PCS)	
2	INSERT CAP	(4 PCS)	
3	LEG	(4 PCS)	
4	CASTER	(4 PCS)	

PARTS LIST

A	TOP (1 PC)	
B	MIDDLE AND BOTTOM (2 PCS)	

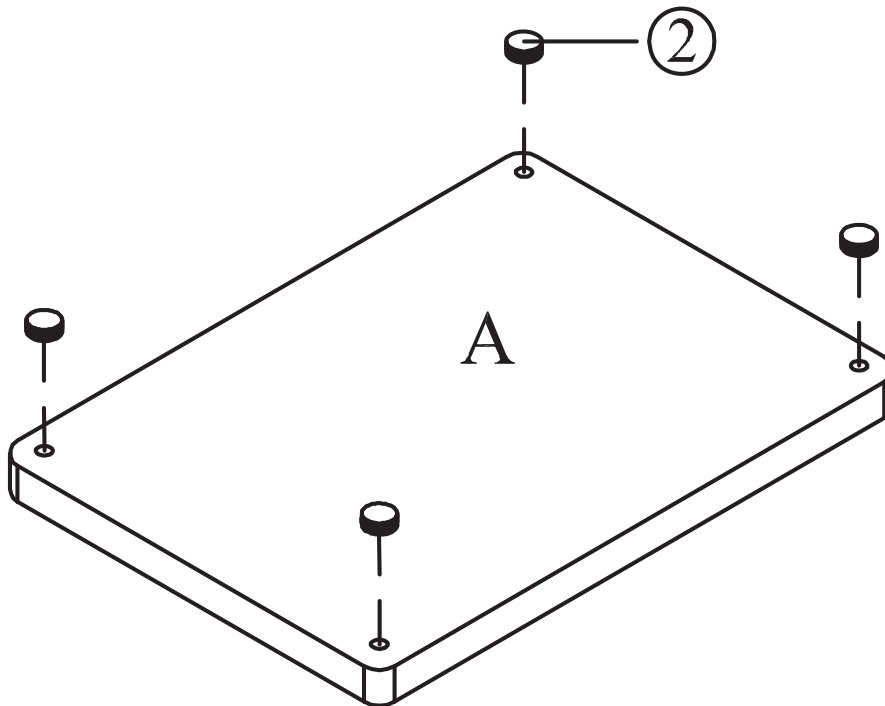


ASSEMBLY INSTRUCTIONS

BEFORE YOU BEGIN, PLEASE FOLLOW ASSEMBLY INSTRUCTIONS CAREFULLY. PLEASE FOLLOW STEP BY STEP:

STEP 1

INSTALL 4 INSERT CAPS (2) TO TOP PANEL (A).

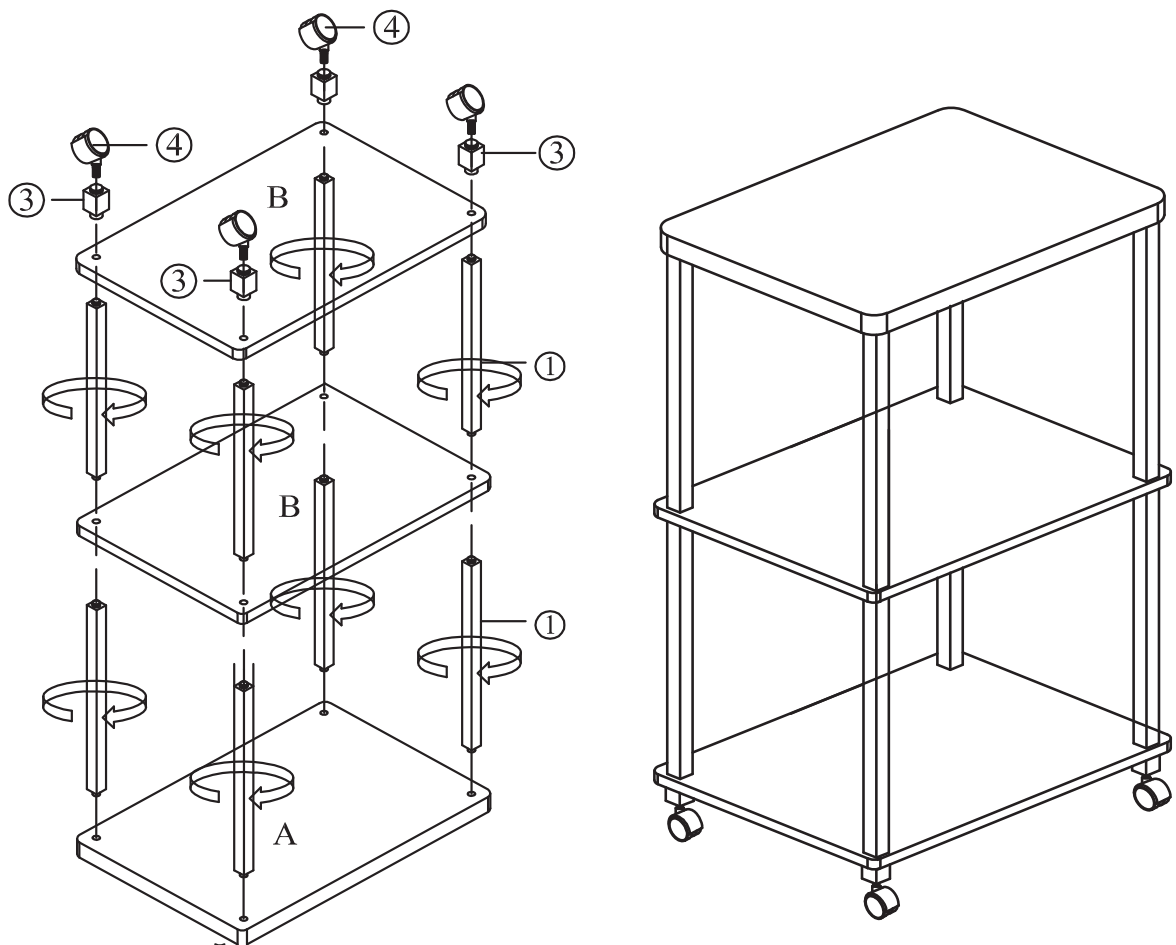


STEP 2

2.1 ATTACH 4 POLES (1) TO ONE TOP (A) THEN ATTACH 4 POLES (1) TO MIDDLE AND BOTTOM (B), FINISH SIDE FACE DOWN.

2.2 INSTALL 4 LEGS (3) TO BOTTOM PANEL (B).

2.3 ATTACH 4 CASTERS (4) TO BASE OF LEGS (3).



Do you have any questions? Missing small parts or hardware?

If you need assistance with the assembly of your

MULTI-PURPOSE UTILITY CART

please e-mail our Customer Service Department at:

support@fourstari.com

or call us at (508) 435-4830

or (800) 639-3803

Please include the following information in your email:

- Where item was purchased
- Item, model, style or SKU number listed on instructions or box
- Part number, description of the part and quantity needed

This information will help us get the proper part to you faster