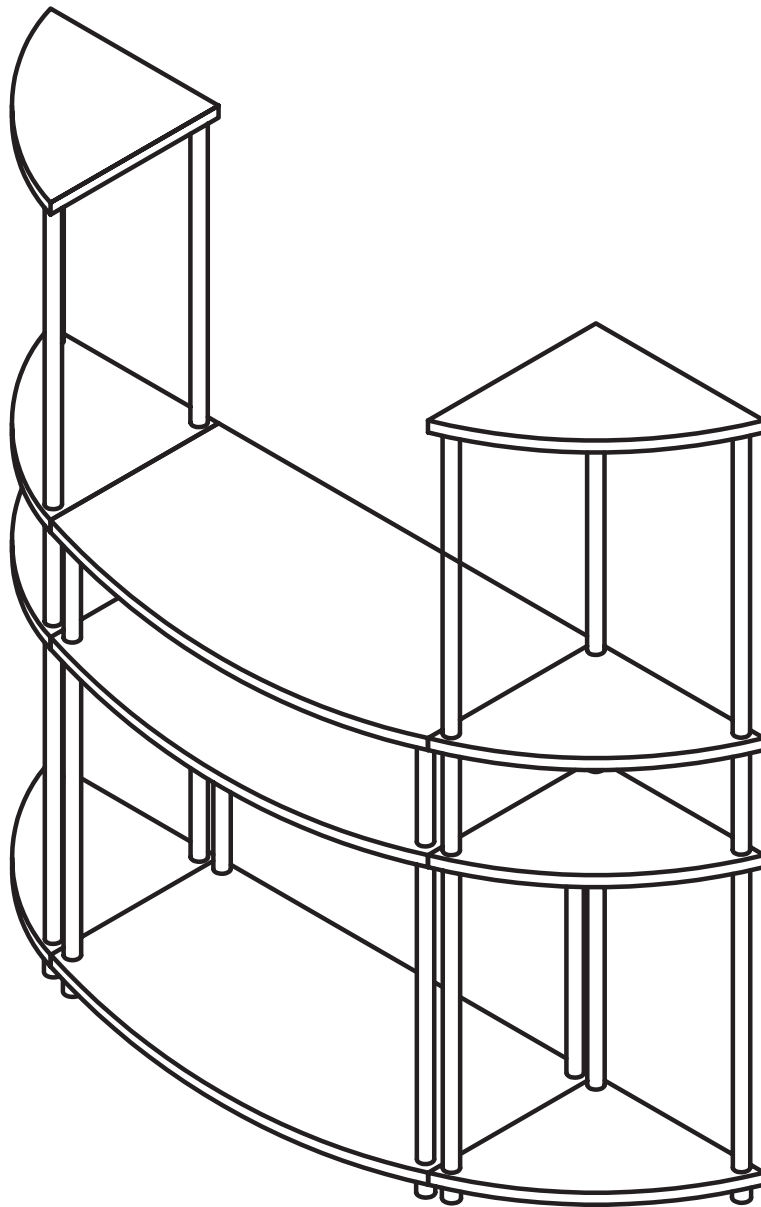




fourstargroup

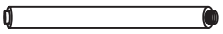
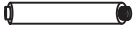


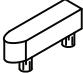


MODEL: 11212855C

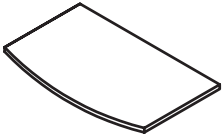
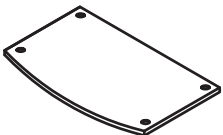


3 PIECE ENTERTAINMENT CENTER

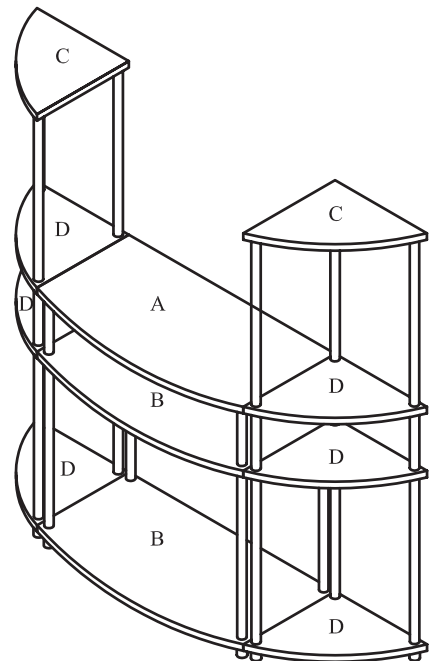
HARDWARE AND PARTS LIST

HARDWARE LIST

1	LONG POLE	(16 PCS)	
2	SHORT POLE	(10 PCS)	
3	INSERT CAP	(10 PCS)	
4	LEG	(10 PCS)	
5	JOINT SUPPORT	(4 PCS)	

PARTS LIST

A	CENTER SHELF TOP (1)	
B	CENTER SHELVES MIDDLE & BOTTOM (2)	
C	CORNER TOP SHELVES (2)	
D	CORNER MIDDLE & BOTTOM SHELVES (4)	

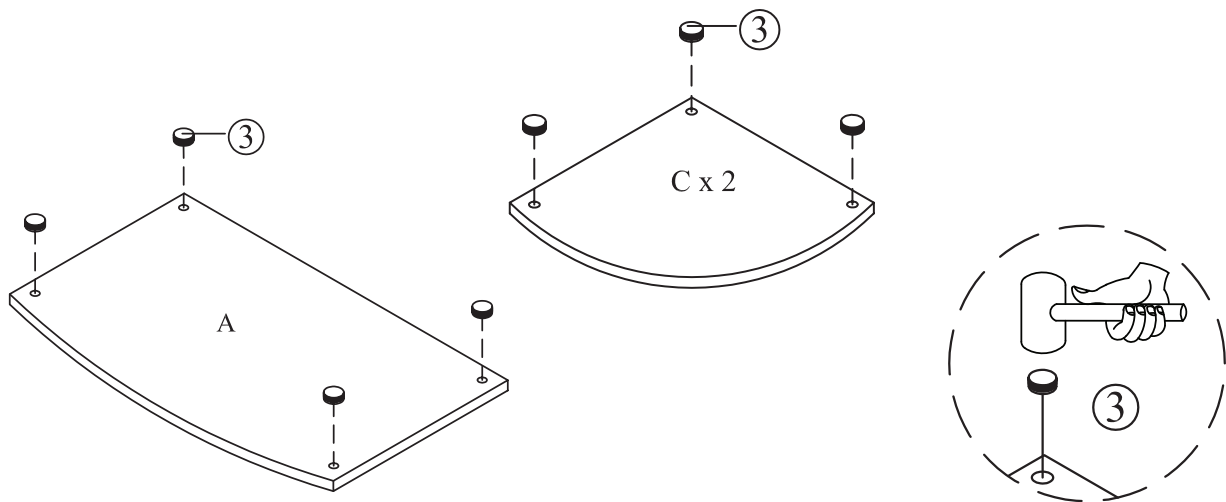


ASSEMBLY INSTRUCTIONS

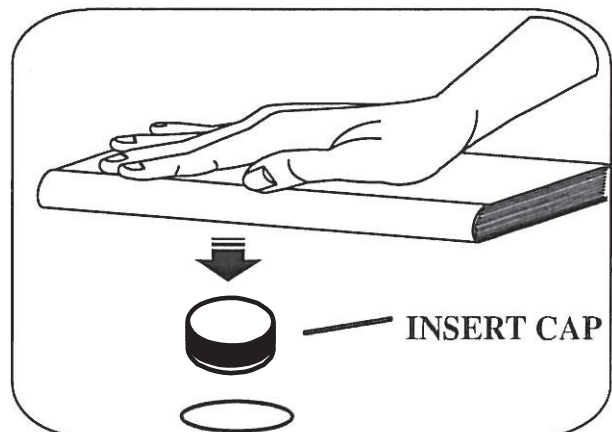
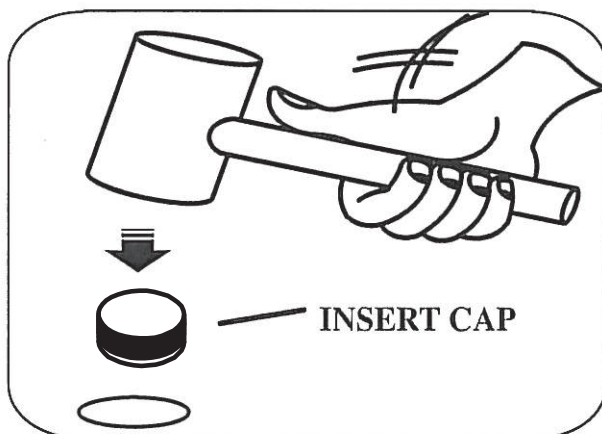
BEFORE YOU BEGIN, PLEASE FOLLOW ASSEMBLY INSTRUCTIONS CAREFULLY. FOLLOW STEP BY STEP:

STEP 1

ATTACH 10 INSERT CAPS (3) TO CENTER SHELF TOP (A) & CORNER TOP SHELVES (C) AS SHOWN.



USING EITHER A SOFT RUBBER Mallet OR BY FIRMLY PRESSING THE INSERT CAPS INTO THE TOP PANEL USING THE FLAT SIDE OF A BOOK OR OTHER HARD FLAT SURFACE TO PRESS THE CAPS INTO THE PANEL.

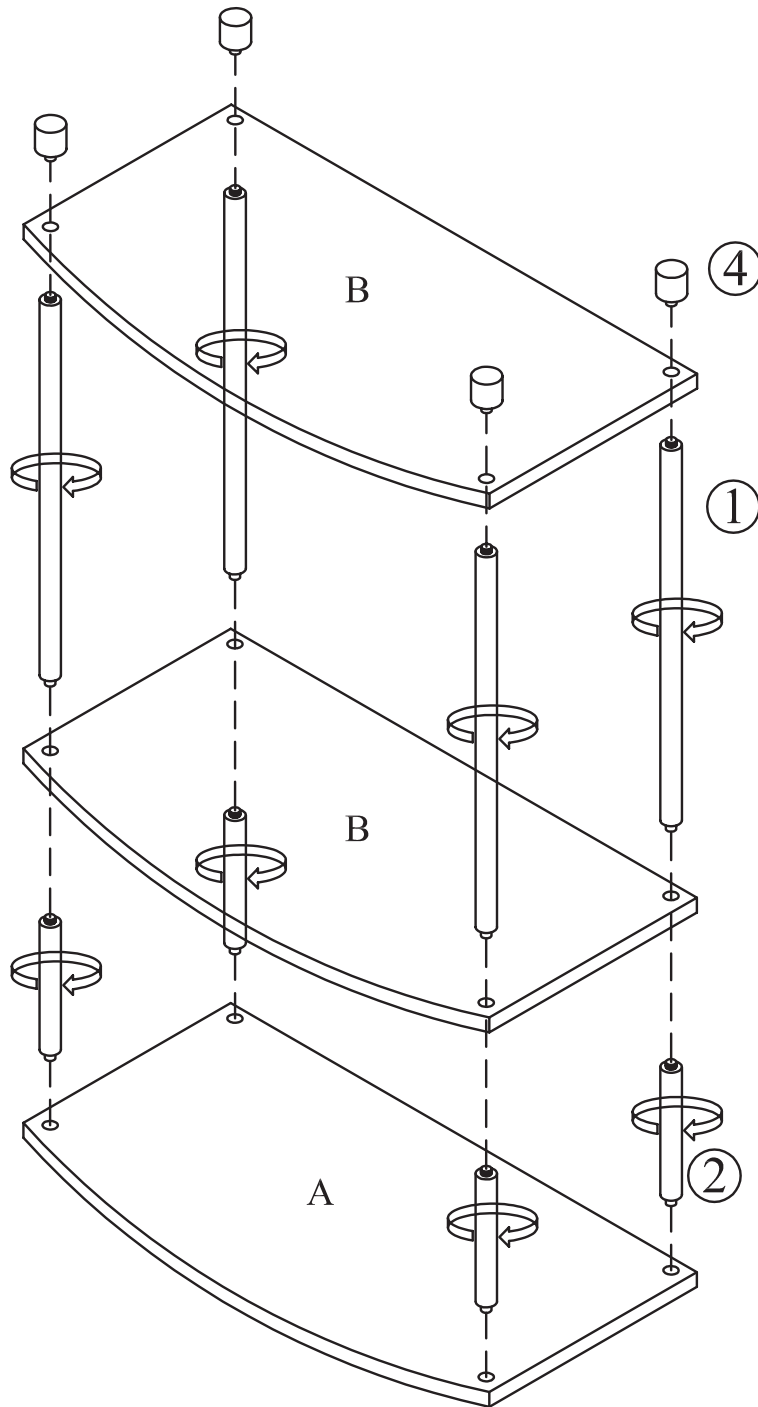


STEP 2

2.1 ATTACH 4 SHORT POLES (2) TO TOP PANEL (A) AND MIDDLE PANEL (B).

2.2 ATTACH 4 LONG POLES (1) TO MIDDLE AND BOTTOM PANELS (B).

2.3 INSTALL 4 LEGS (4) TO BOTTOM PANEL (B).



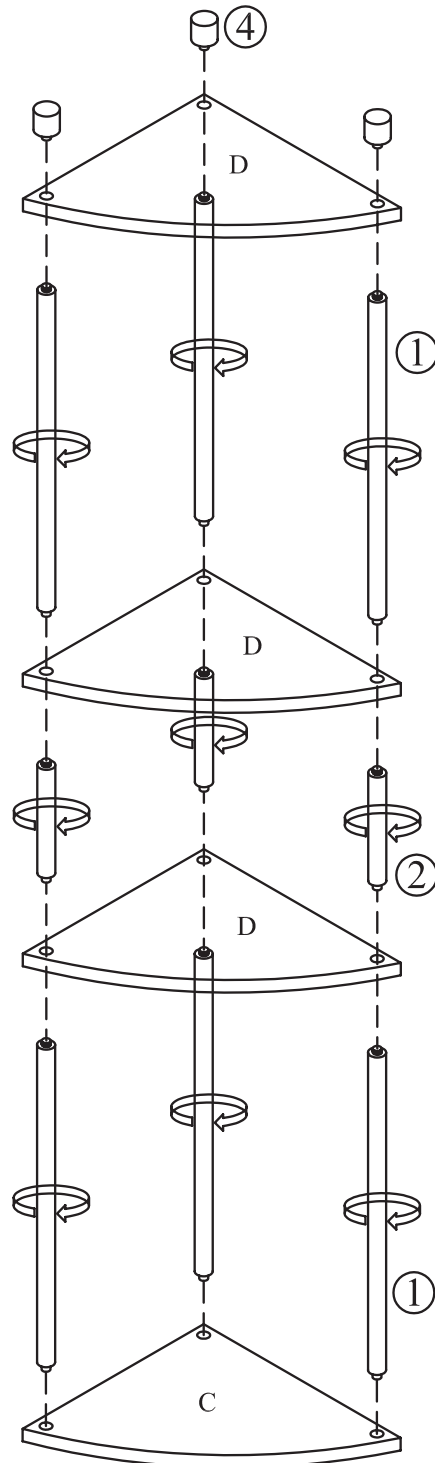
STEP 3

3.1 ATTACH 3 LONG POLES (1) TO EACH CORNER TOP SHELF PANELS (C) AND MIDDLE PANELS (D).

3.2 ATTACH 3 SHORT POLES (2) TO MIDDLE PANELS (D) ON BOTH CORNER UNITS.

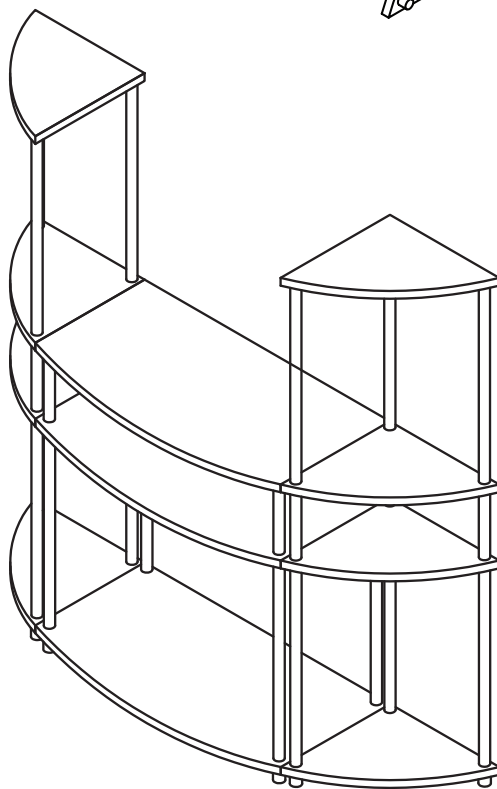
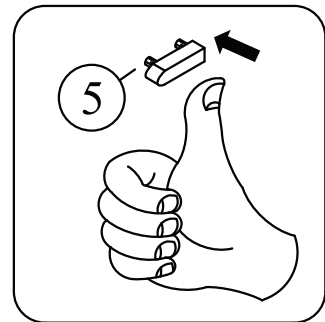
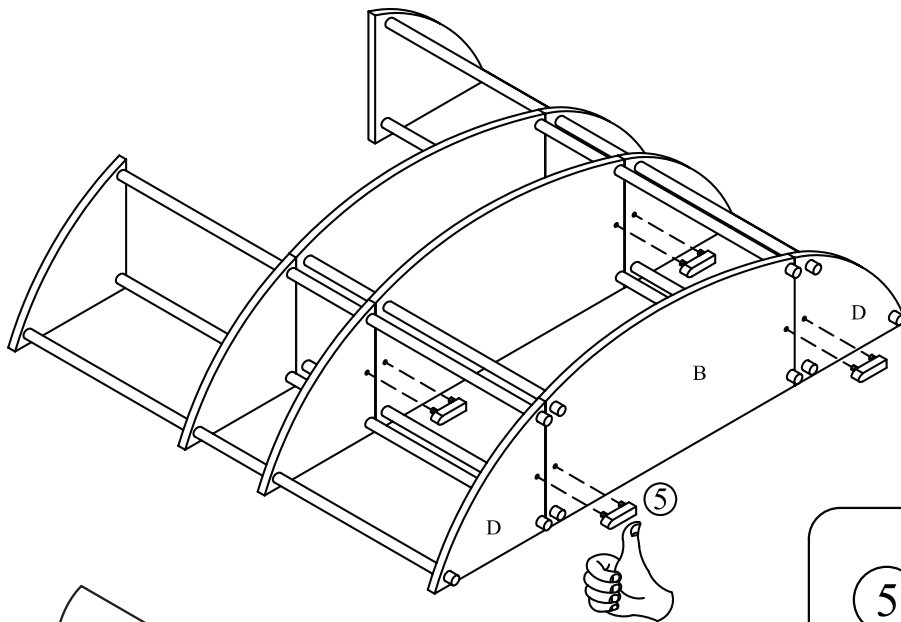
3.3 ATTACH 3 LONG POLES (1) TO BOTTOM PANELS (D).

3.4 INSTALL 3 LEGS (4) TO EACH BOTTOM PANEL (D).



STEP 4

ATTACH 4 JOINT SUPPORTS (5) TO BOTTOM PANELS (B & D).



Do you have any questions? Missing small parts or hardware?

If you need assistance with the assembly of your

3 PIECE ENTERTAINMENT CENTER

please e-mail our Customer Service Department at:

support@fourstari.com

or call us at (508) 435-4830

or (800) 639-3803

Please include the following information in your email:

- Where item was purchased
- Item, model, style or SKU number listed on instructions or box
- Part number, description of the part and quantity needed

This information will help us get the proper part to you faster