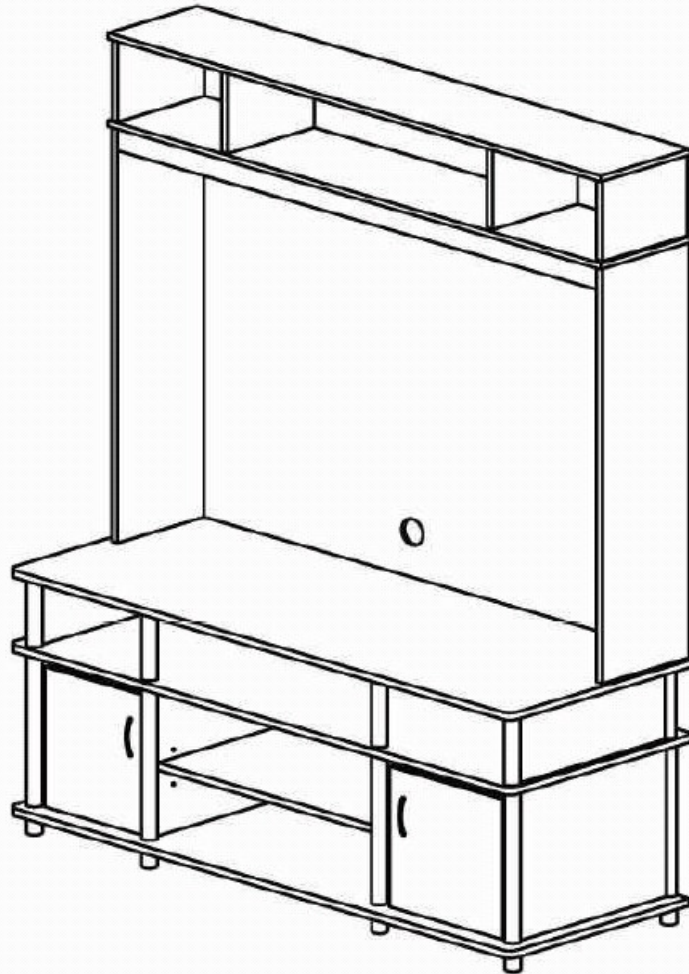




fourstargroup

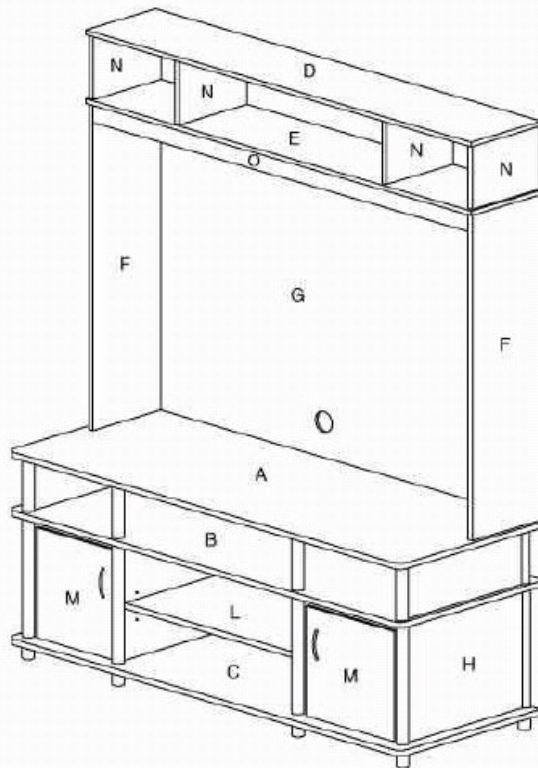


MODEL: 11212851A

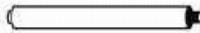















ENTERTAINMENT CENTER

PARTS LIST AND HARDWARE

NO	PARTS LIST	QTY
A	TOP PANEL	1 PC
B	CENTER PANEL	1 PC
C	BOTTOM PANEL	1 PC
D	UPPER TOP PANEL	1 PC
E	UPPER SHELF PANEL	1 PC
F	UPPER SIDE PANEL	2 PCS
G	UPPER BACK PANEL	3 PCS
H	SIDE PANEL	2 PCS
I	SIDE SHELF PANEL	2 PCS
J	DOOR BACK PANEL	2 PCS
K	BACK PANEL	1 PC
L	SHELF PANEL	1 PC
M	DOOR PANEL	2 PCS
N	UPPER SHELF PANEL	4 PCS
O	SKIRT PANEL	1 PC



PARTS LIST AND HARDWARE

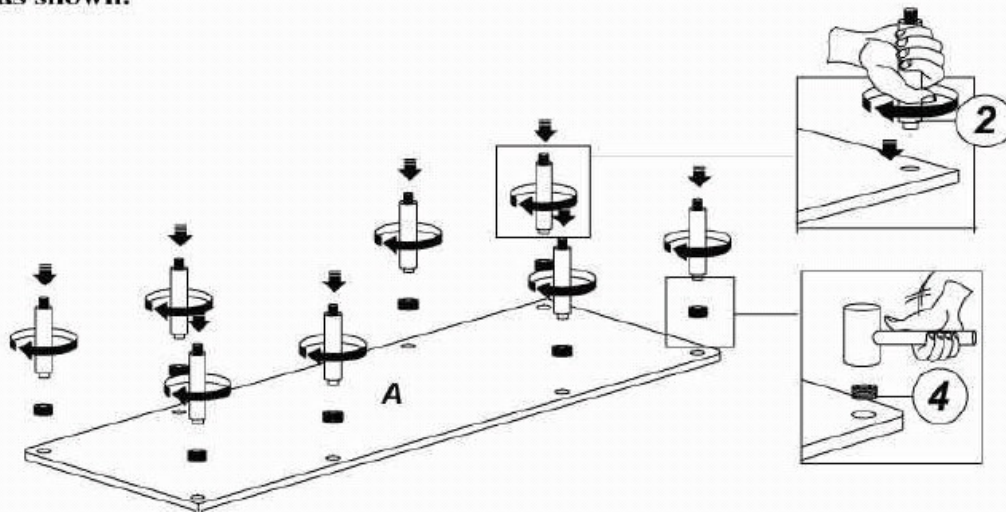
NO	HARDWARE LIST	QTY
1	LONG TUBE 	8 PCS
2	SHORT TUBE 	8 PCS
3	LEG 	8 PCS
4	INSERT CAP 	8 PCS
5	45mm SCREW 	14 PCS
6	20mm SCREW 	4 PCS
7	10mm SCREW 	4 PCS
8	MAGNET 	2 SETS
9	DOOR SPRING SUPPORT 	4 PCS
10	20mm DOWEL 	38 PCS
11	SHELF SUPPORT 	4 PCS
12	30mm WOODEN DOWEL 	30 PCS
13	WHITE GLUE 	1 PC
14	POWER PIN 	30 PCS
15	L BRACKET 	1 PC
16	HANDLE 	2 PCS

ASSEMBLY INSTRUCTIONS

BEFORE YOU BEGIN , PLEASE FOLLOW ASSEMBLY INSTRUCTION CAREFULLY , FOLLOW STEP BY STEP.

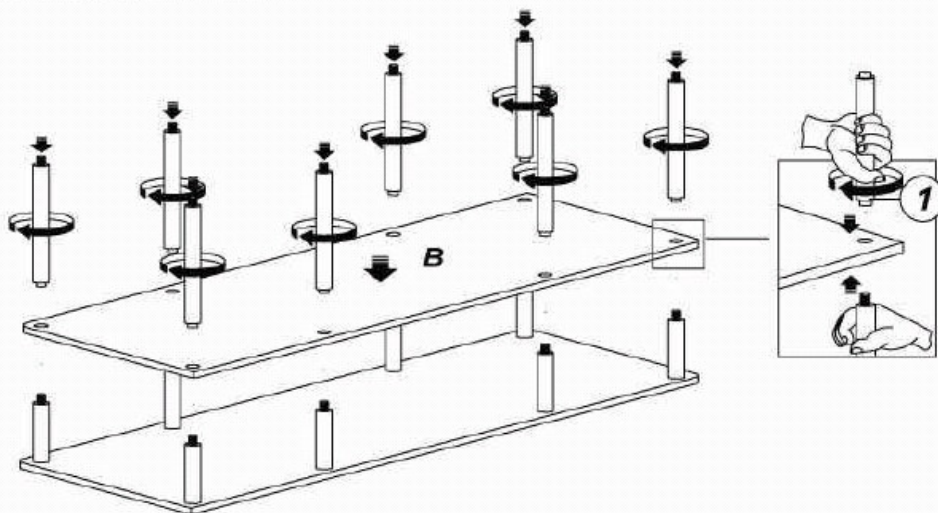
STEP 1

Attach INSERT CAPS (4) and SHORT TUBES (2) to TOP PANEL (A) as shown.



STEP 2

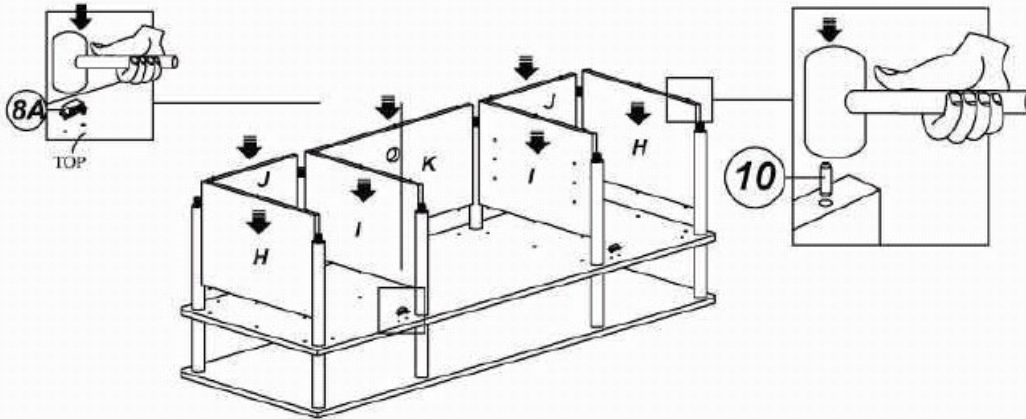
Attach CENTER PANEL (B) to ASSEMBLED Step 1 using LONG TUBES (1) as shown.



STEP 3

3-1 Attach **SIDE PANELS (H)**, **SIDE SHELF PANELS (I)**, **DOOR BACK PANELS (J)** and **BACK PANEL (K)** to **CENTER PANEL (B)** using **20mm DOWELS (10)**.

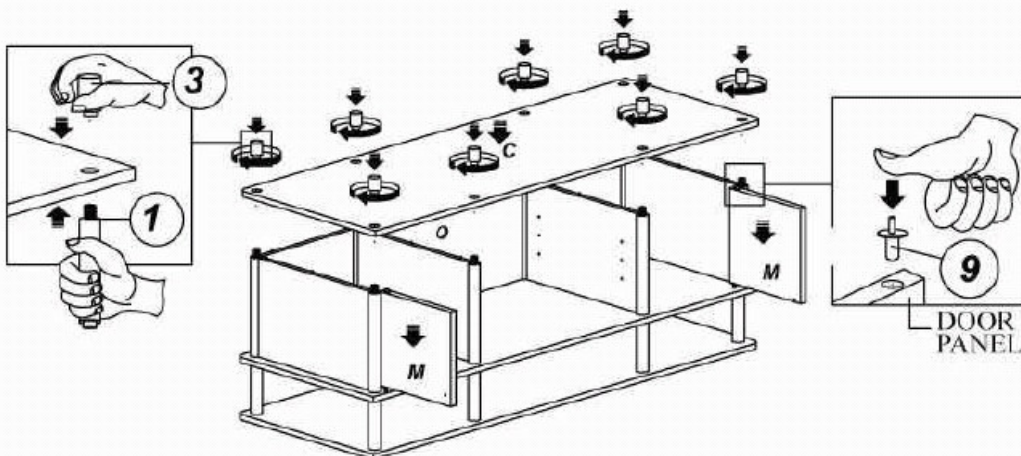
3-2 Attach **MAGNET (8A)** to **CENTER PANEL (B)** as shown.



STEP 4

4-1 Insert **DOOR SPRING SUPPORTS (9)** to **DOOR PANELS (M)**.

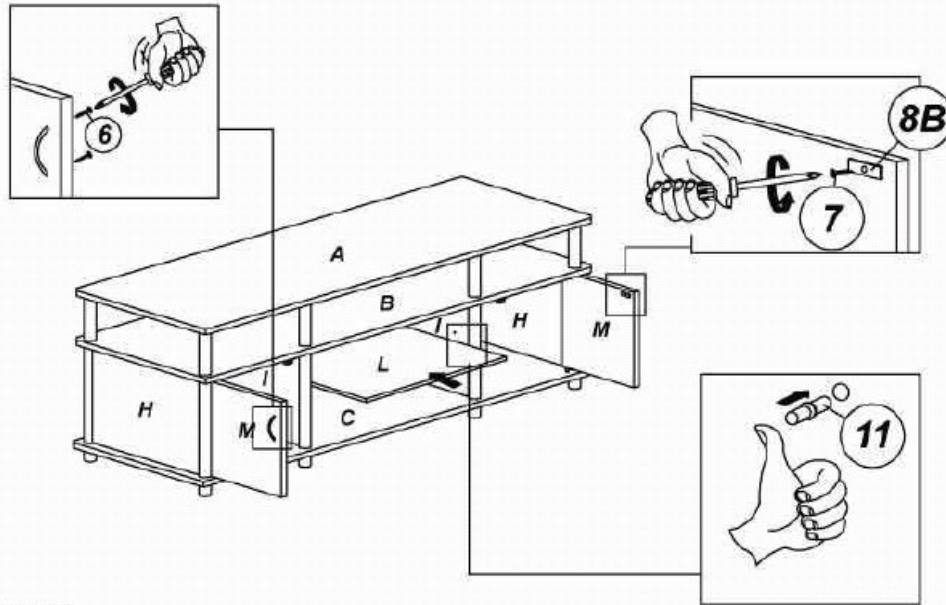
4-2 Attach **BOTTOM PANEL (C)** to assembled Step 4-1 using **LEGS (3)** as shown.



STEP 5

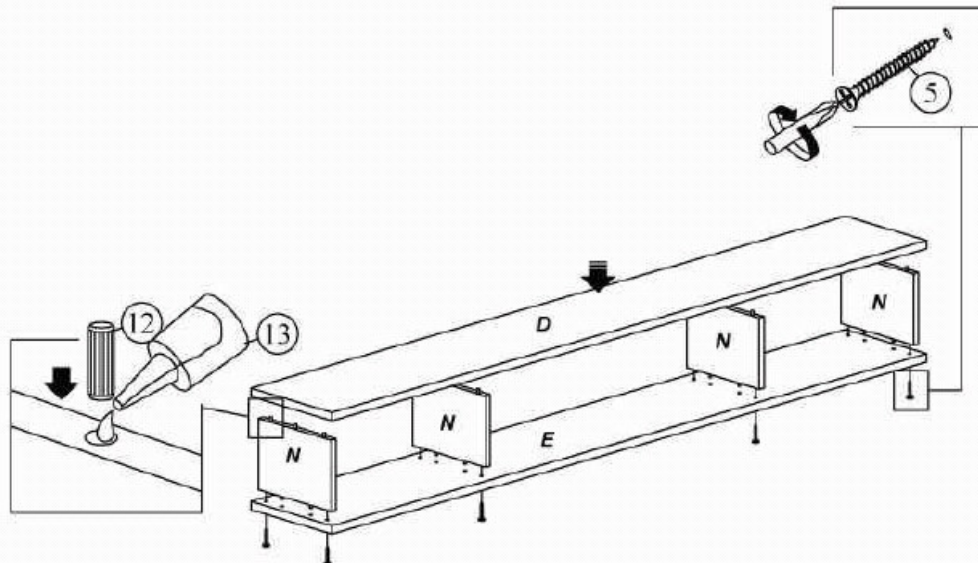
5-1 Insert **SHELF PINS (11)** into the holes located on the inside of the dividers then place **SHELF PANEL (L)** onto pins.

5-2 Attach **HANDLES** to **DOOR PANELS (M)** using **20mm SCREWS** and **MAGNET (8B)** using **10mm SCREWS (7)** as shown.



STEP 6

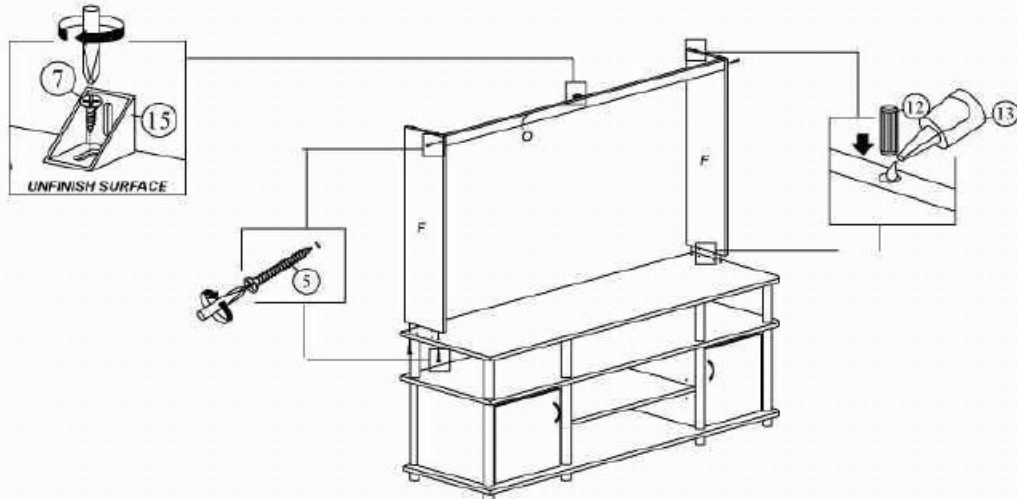
Attach **PARTITION PANELS (N)** to **UPPER SHELF PANEL (D)** and **LOWER SHELF PANEL (E)** using **30mm DOWELS (12)**, **GLUE (13)** and **45mm SCREWS (5)**.



STEP 7

7-1 Attach UPPER SIDE PANELS (F) and SKIRT PANEL (O) to TOP PANEL (A) using 30MM WOODEN DOWELS (12), GLUE (13) and 45mm SCREWS (5).

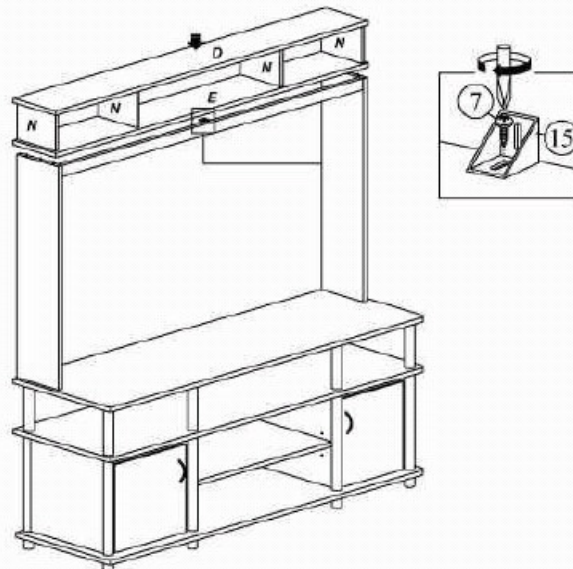
7-2 Attach L BRACKET (15) to SKIRT PANEL (O) using 10mm SCREW (7) as shown.



STEP 8

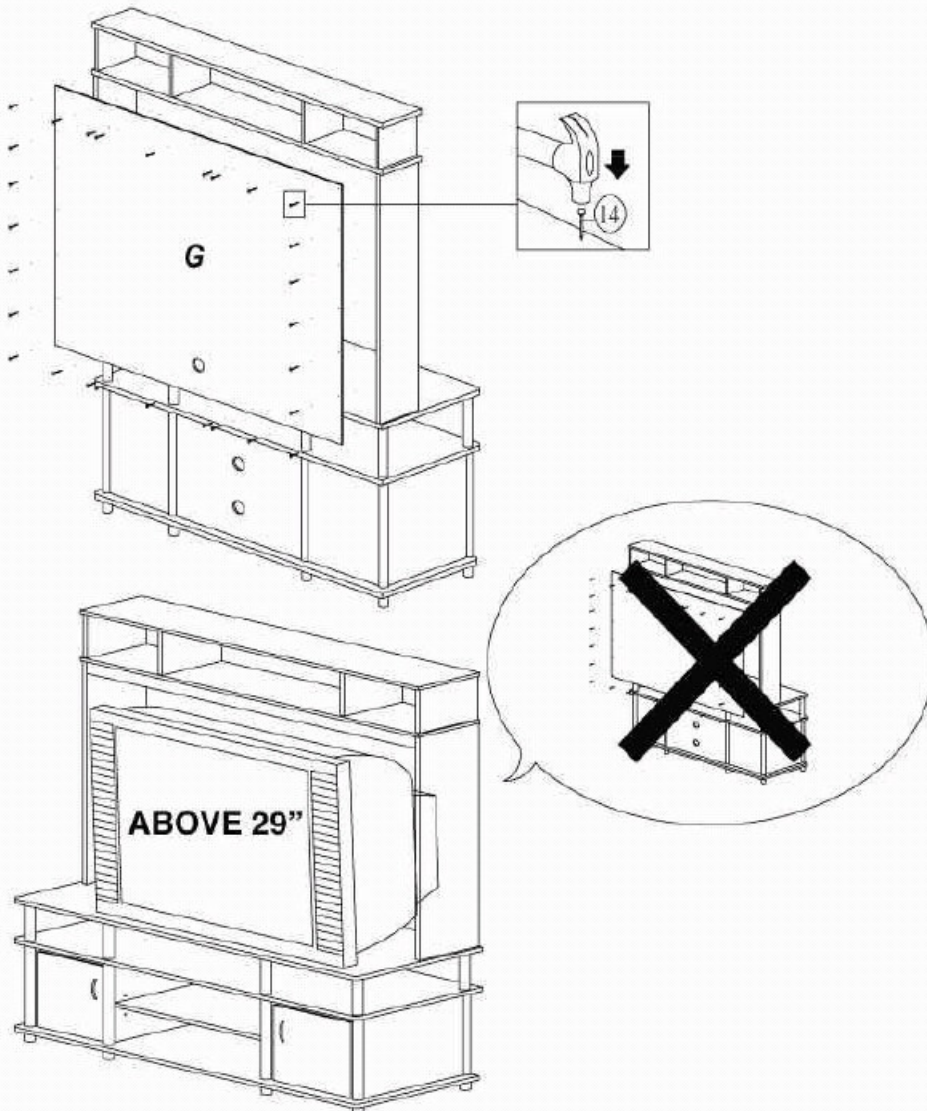
8-1 Assembled Step 6 to UPPER SIDE PANELS (F) using 30MM WOODEN DOWELS (12), GLUE (13).

8-2 Using 10mm SCREW (7) to secure LOWER SHELF PANEL (E) as shown.



STEP 9

Attach **BACK PANEL (K)** to assembled Step 8 using **POWER PINS (14)** as shown. If using this Entertainment Center for a conventional TV larger than 29 in.--Do not attach back panel.



Do you have any questions? Missing small parts or hardware?
If you need assistance with the assembly of your
ENTERTAINMENT CENTER
please e-mail our Customer Service Department at:
support@fourstari.com
or call us at (508) 435-4830
or (800) 639-3803

Please include the following information in your email:

- Where item was purchased
- Item, model, style or SKU number listed on instructions or box
- Part number, description of the part and quantity needed

This information will help us get the proper part to you faster