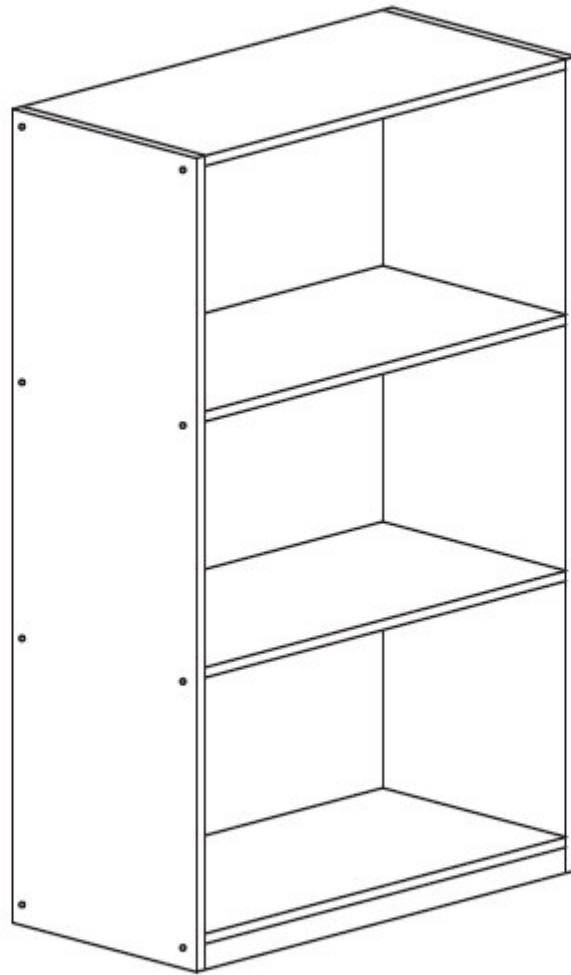









fourstargroup







MODEL: 11212833

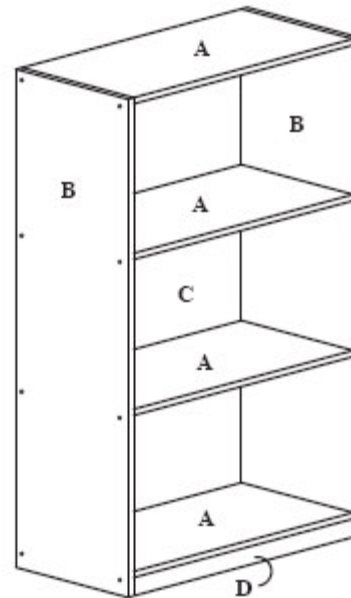
THREE SHELF BOOKCASE

HARDWARE LIST

1	C/B SCREW (16 PCS)	
2	CSK SCREW (4 PCS)	
3	PVC NAIL LEG (4 PCS)	
4	POWER PIN (30 PCS)	
5	'L'-BRACKET (2 PCS)	

PARTS LIST

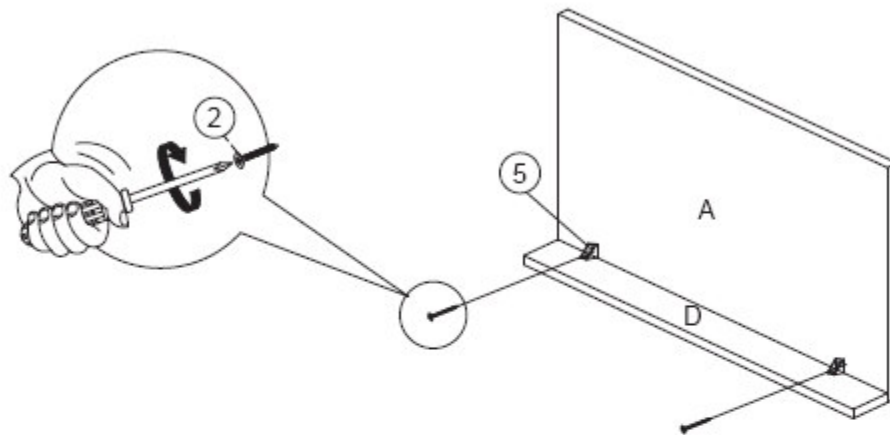
A	TOP, SHELF & BOTTOM PANEL (4 PCS)	
B	L&R SIDE PANEL (2 PCS)	
C	BACK PANEL (1 PC)	
D	APRON LEG (1 PC)	



ASSEMBLY INSTRUCTIONS

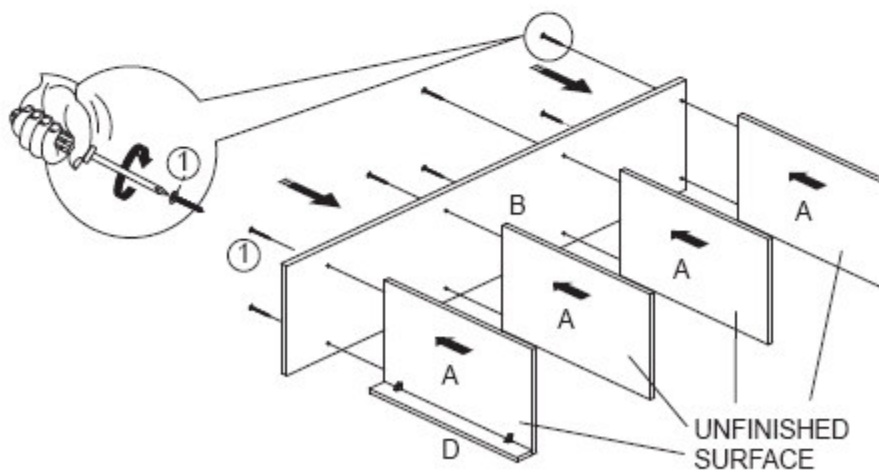
STEP 1

ATTACH APRON LEG (D) TO BOTTOM PANEL (A), USING L-BRACKETS (5) AND SCREWS (2), AS SHOWN.



STEP 2

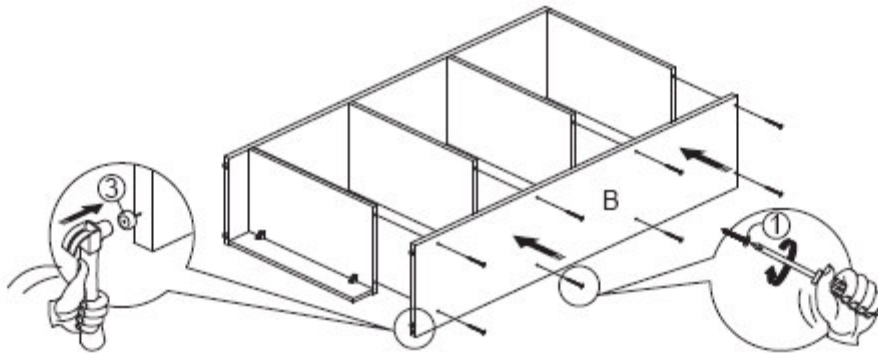
ATTACH SIDE PANEL (B), SHELF PANEL AND TOP PANEL (A) TO ASSEMBLED PIECE FROM STEP 1 USING SCREWS (1), AS SHOWN.



STEP 3:

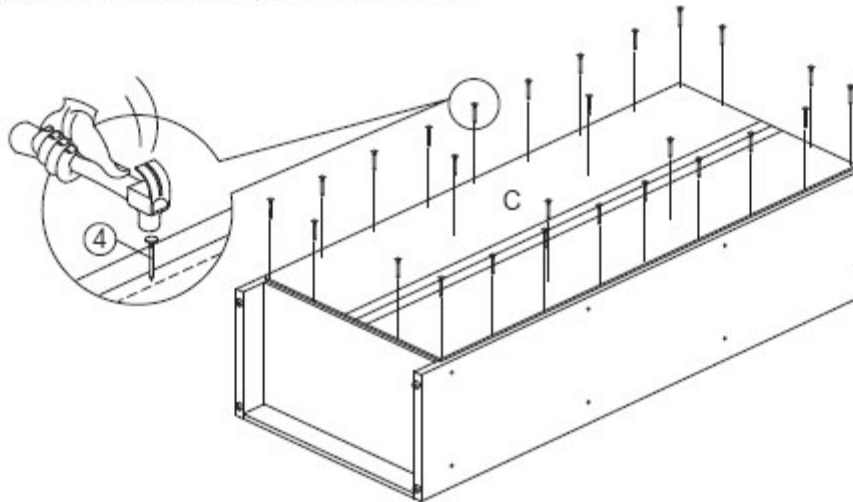
3.1 ATTACH SIDE PANEL (B) TO ASSEMBLED PIECE FROM STEP 2 USING SCREWS (1), AS SHOWN.

3.2 ATTACH PVC NAIL LEG (3), TO BOTTOM OF SIDE PANEL (B), AS SHOWN BELOW.



STEP 4

ATTACH BACK PANEL (C) TO ASSEMBLED PIECE FROM STEP 3 USING POWER PIN (4) AS SHOWN.



Do you have any questions? Missing small parts or hardware?

**If you need assistance with the assembly of your
THREE SHELF BOOKCASE please e-mail our**

**Customer Service Department at:
support@fourstari.com
or call us at (508) 435-4830
or (800) 639-3803**

Please include the following information in your email:

- Where item was purchased
- Item, model, style or SKU number listed on instructions or box
- Part number, description of the part and quantity needed

This information will help us get the proper part to you faster