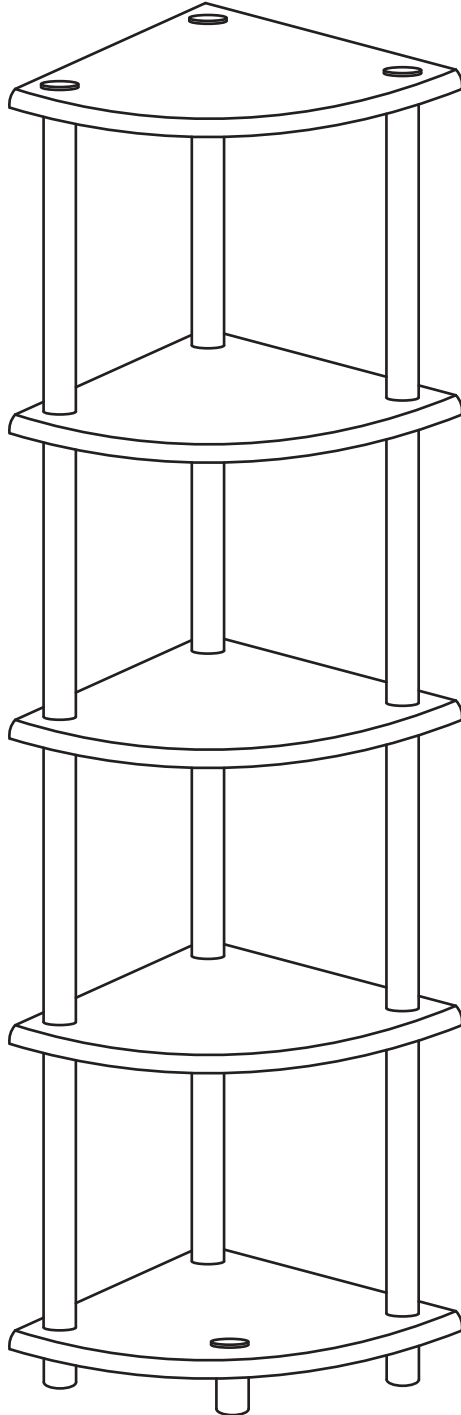




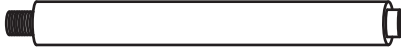

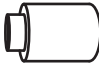
fourstargroup





MODEL: 11211811V

FIVE TIER CORNER SHELF

PARTS AND HARDWARE

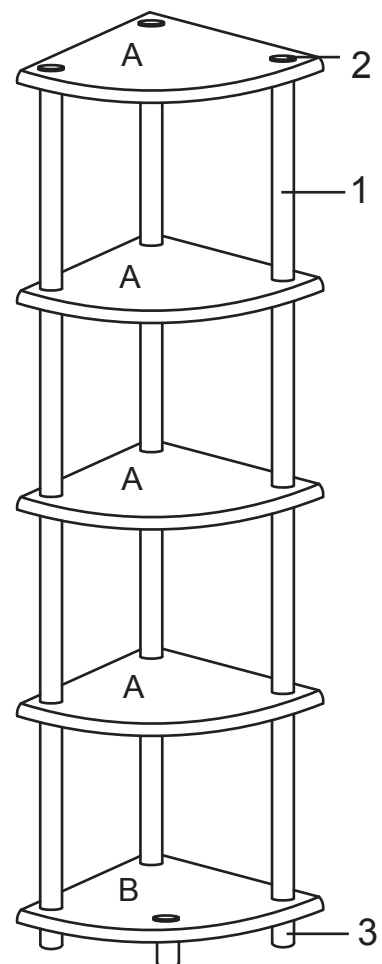
No	Hardware list	Qty
1	Post 	12 pcs
2	Cap 	4 pcs
3	Leg 	4 pcs

No	Hardware list	Qty
A	SHELF 	4 pcs
B	BOTTOM PANEL 	1 pc

BEFORE YOU BEGIN, PLEASE READ ASSEMBLY INSTRUCTIONS CAREFULLY. FOLLOW THEM STEP BY STEP.

CAUTION :

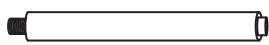
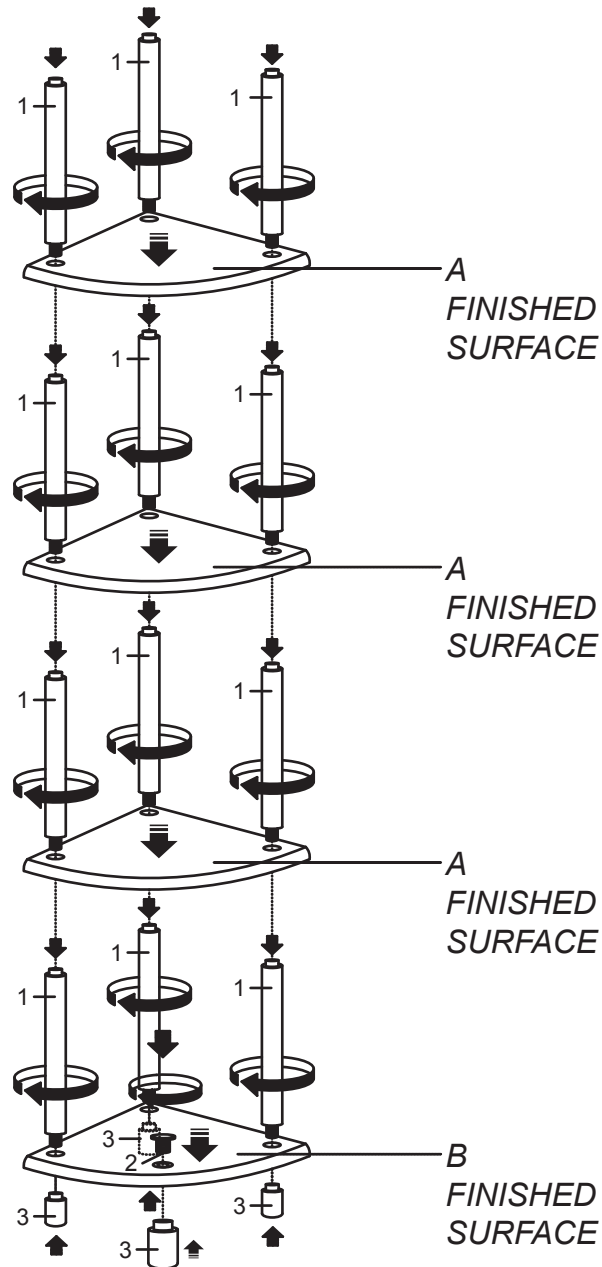
- 1. ADULT SUPERVISION IS REQUIRED DUE TO SMALL PARTS. CARE SHOULD BE TAKEN IN THE UNPACKING AND ASSEMBLY OF THE PRODUCT.**
- 2. ASSEMBLE ON SOFT SURFACES TO PREVENT DAMAGE TO THE PRODUCT FINISH.**
- 3. MAKE SURE ALL PARTS ARE INCLUDED BEFORE ASSEMBLY.**



ASSEMBLY INSTRUCTIONS

STEP 1

START BY ATTACHING THE 4 LEGS (3) AND 1 CAP (2) INTO BOTTOM PANEL (B) THEN CONTINUE ATTACHING THE 12 POSTS (1) INTO THE 3 SHELVES (A) AS SHOWN.



① POST - 12 PCS



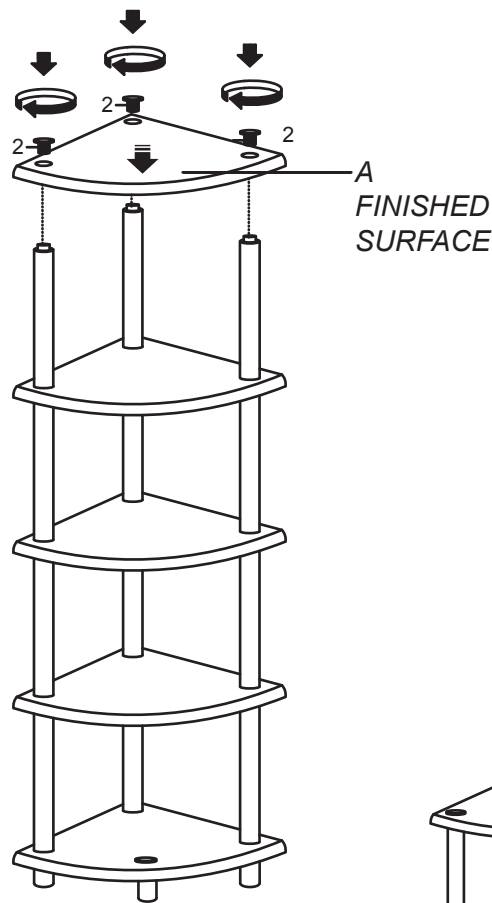
③ CAP - 1 PCS



② LEG - 4 PCS

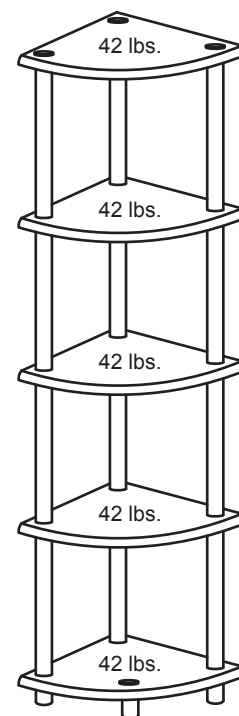
STEP 2

SECURE THE 5th SHELF (A) TO 3 POSTS (1) USING CAPS (2), AS SHOWN.



(B) CAP - 3 PCS

This unit is intended for use only with the products and maximum weights indicated. Use with other products or products heavier than the maximum weights indicated may result in instability causing possible injury. Furniture can tip over or break if improperly moved. Have a friend help to lift and carry the unit to its new location.



Do you have any questions? Missing small parts or hardware?
If you need assistance with the assembly of your FIVE TIER
CORNER SHELF please e-mail our Customer Service
Department at:
support@fourstari.com
or call us at **(508) 435-4830**
or **(800) 639-3803**

Please include the following information in your email:

- Where item was purchased
- Item, model, style or SKU number listed on instructions or box
- Part number, description of the part and quantity needed

This information will help us get the proper part to you faster