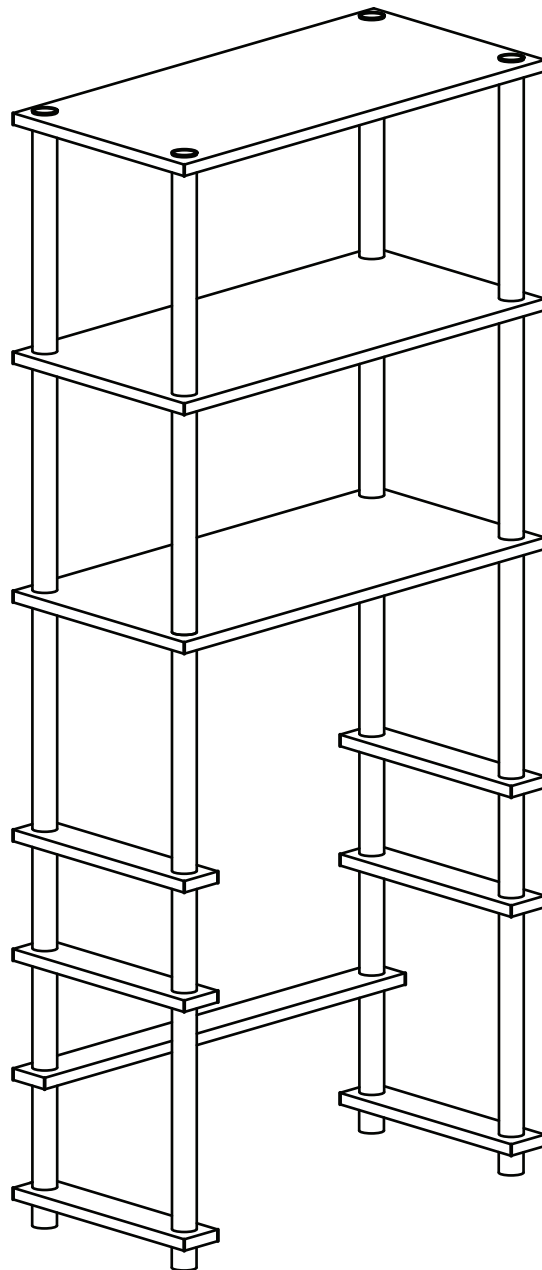




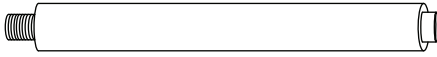

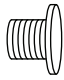
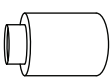
fourstargroup

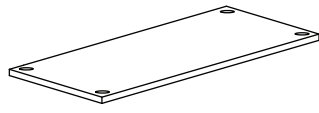

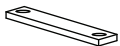


MODEL: 11211763V

BATHROOM SPACE SAVER

PARTS

NO	HARDWARE LIST	QTY
1	LONG POST 	14 pcs
2	SHORT POST 	8 pcs
3	CAP 	4 pcs
4	LEG 	4 pcs

NO	PARTS LIST	QTY
A	SHELF PANEL 	3 pcs
B	LONG CROSSBAR 	1 pc
C	SHORT CROSSBAR 	6 pcs

BEFORE YOU BEGIN, PLEASE READ ASSEMBLY INSTRUCTIONS CAREFULLY. FOLLOW THEM STEP BY STEP.

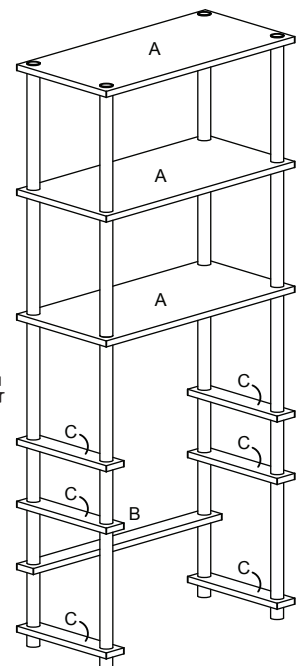
CAUTION :

1. ADULT SUPERVISION IS REQUIRED DUE TO SMALL PARTS.

CARE SHOULD BE TAKEN IN THE UNPACKING AND ASSEMBLY OF THE PRODUCT.

2. ASSEMBLE ON SOFT SURFACES TO PREVENT DAMAGE TO THE PRODUCT FINISH.

3. MAKE SURE ALL PARTS ARE INCLUDED BEFORE ASSEMBLY.

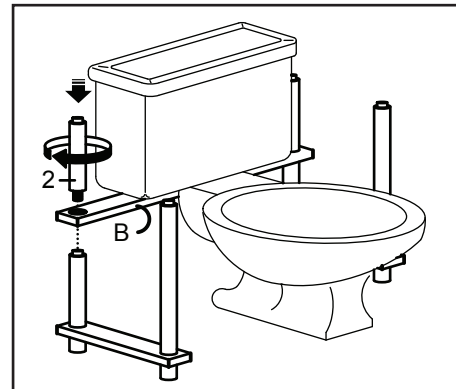
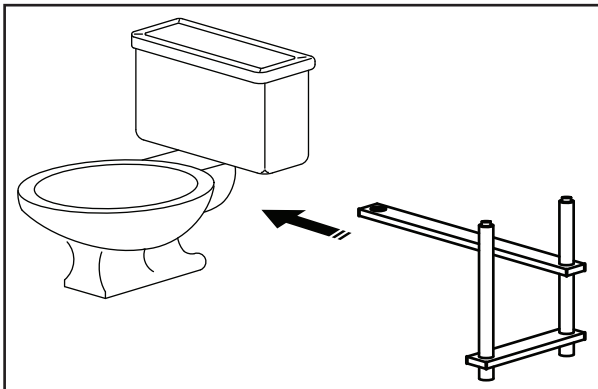
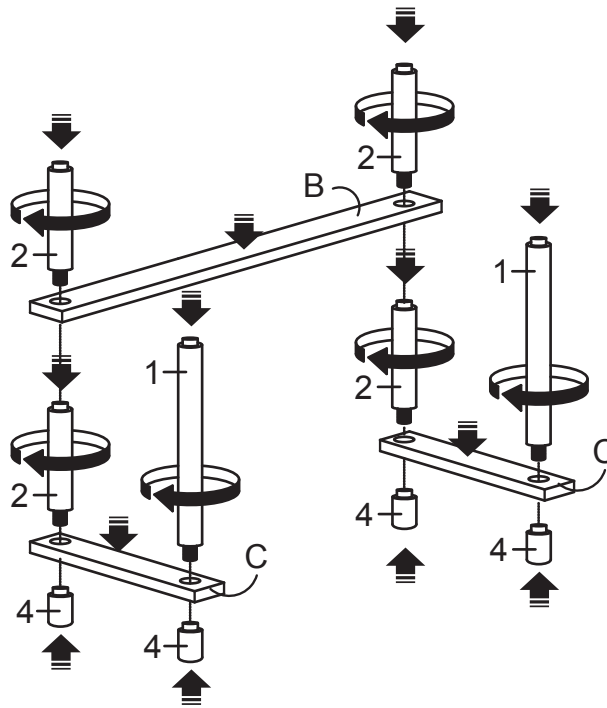


ASSEMBLY INSTRUCTIONS

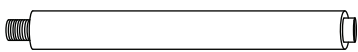
BEFORE YOU BEGIN, PLEASE READ ASSEMBLY INSTRUCTIONS CAREFULLY. FOLLOW THEM STEP BY STEP.

STEP 1

ATTACH SHORT CROSSBARS (C) TO LONG CROSSBAR (B) USING LEGS (4), SHORT POSTS (2) AND LONG POSTS (1) AS SHOWN.



LONG CROSSBAR PIERCED THE UNDERNEATH OF TOILET



① LONG POST - 2 PCS

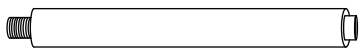
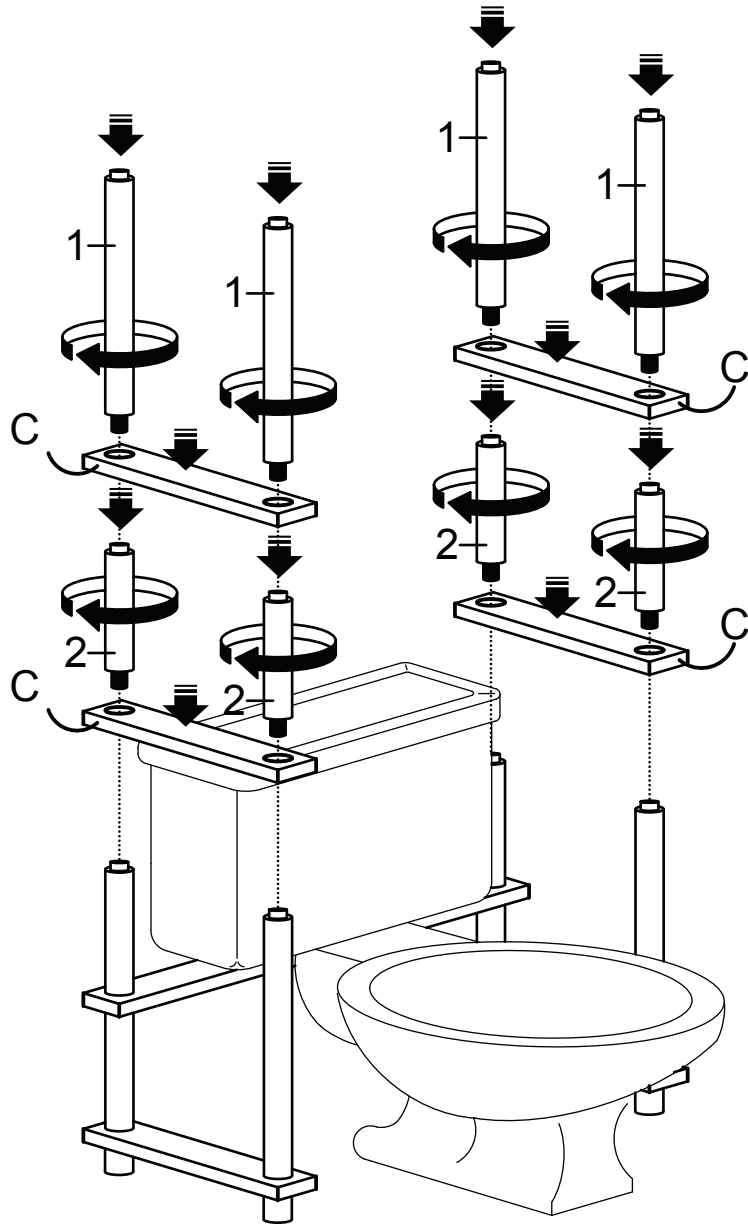


② SHORT POST - 4 PCS



④ LEG - 4 PCS

STEP 2
ATTACH SHORT CROSSBAR (C) TO ASSEMBLED FROM
STEP 1 USING SHORT POST (2) AND LONG POSTS (1)
AS SHOWN.



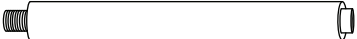
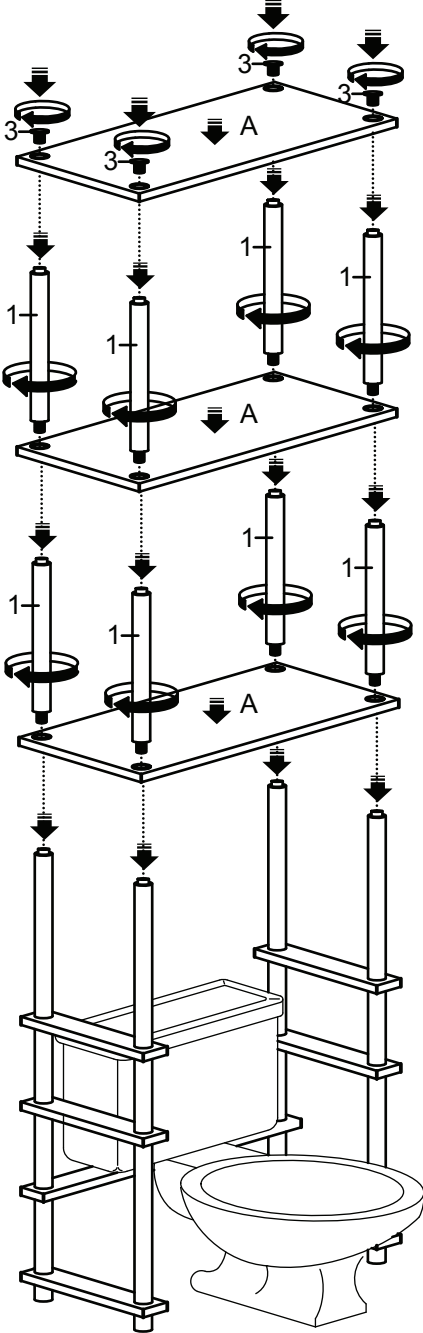
① LONG POST - 4 PCS



② SHORT POST - 4 PCS

STEP 3

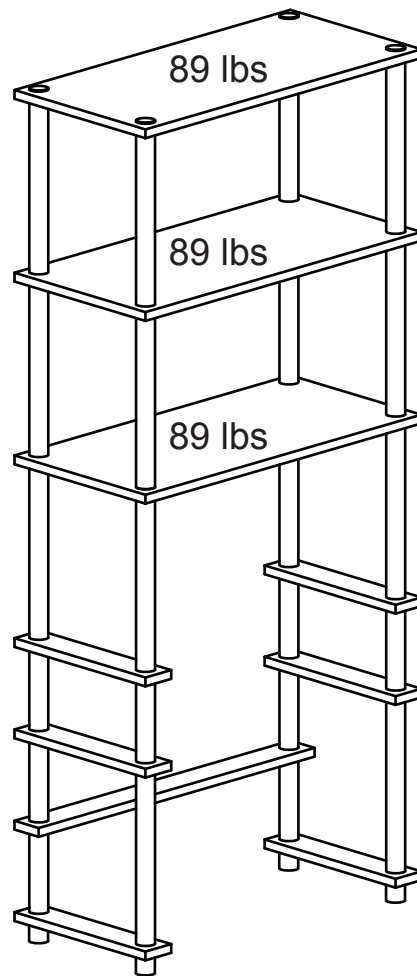
ATTACH SHELF PANELS (A) TO ASSEMBLED SECTION FROM STEP 2 USING LONG POST (1) AND CAPS (3) AS SHOWN.



① LONG POST - 8 PCS



③ CAP - 4 PCS



This unit is intended for use only with the products and maximum weights indicated. Use with other products or products heavier than the maximum weights indicated may result in instability causing possible injury. Furniture can tip over or break if improperly moved. Have a friend help to lift and carry the unit to it's new location.

Do you have any questions ? Missing small parts or hardware?
If you need assistance with the assembly of your Bathroom
Space Saver please e-mail our Customer Service
Department at:
support@fourstari.com
or call us at (508) 435-4830
or (800) 639-3803

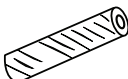

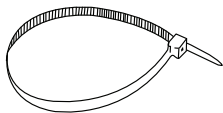
Please include the following information in your email:

- Where item was purchased
- Item, model, style or SKU number listed on instructions or box
- Part number, description of the part and quantity needed

This information will help us get the proper part to you faster

**IF NECESSARY, PLEASE FOLLOW BELOW INSTRUCTION
TO PREVENT PRODUCT TIP OVER.**

PARTS

HARDWARE LIST			QTY
			2 sets
WALL PLUG	EYELET SCREW	CABLE TIE	

