



# MODEL: 11211763CB BATHROOM SPACE SAVER

BEFORE YOU BEGIN, PLEASE READ ASSEMBLY INSTRUCTIONS CAREFULLY. FOLLOW THEM STEP BY STEP.

BEFORE YOU BEGIN, PLEASE READ ASSEMBLY INSTRUCTIONS CAREFULLY. FOLLOW THEM STEP BY STEP.

**CAUTION:**

1. ADULT SUPERVISION IS REQUIRED DUE TO SMALL PARTS. CARE SHOULD BE TAKEN IN THE UNPACKING AND ASSEMBLY OF THE PRODUCT.
2. ASSEMBLE ON SOFT SURFACES TO PREVENT DAMAGE TO THE PRODUCT FINISH.
3. MAKE SURE ALL PARTS ARE INCLUDED BEFORE ASSEMBLY.
4. NOT FOR USE ON HIGH PILE CARPETING.
5. PLACE DESK ON FLAT LEVEL SURFACE.

Do you have any questions? Missing small parts or hardware? If you need assistance with the assembly of your BATHROOM SPACE SAVER please e-mail our Customer Service Department at: [support@fourstari.com](mailto:support@fourstari.com) or call us at (800) 639-3803 if calling locally from Massachusetts area. Please include the following information in your email:  
 • Where item was purchased • Item, model, style or SKU number listed on instructions or box • Part number, description of the part and quantity needed  
 This information will help us get the proper part to you faster

Total maximum weight limits 55 Lbs.  
 Include:  
 Top shelf 11 Lbs,  
 Other shelf 22 Lbs x 2 = 44 Lbs

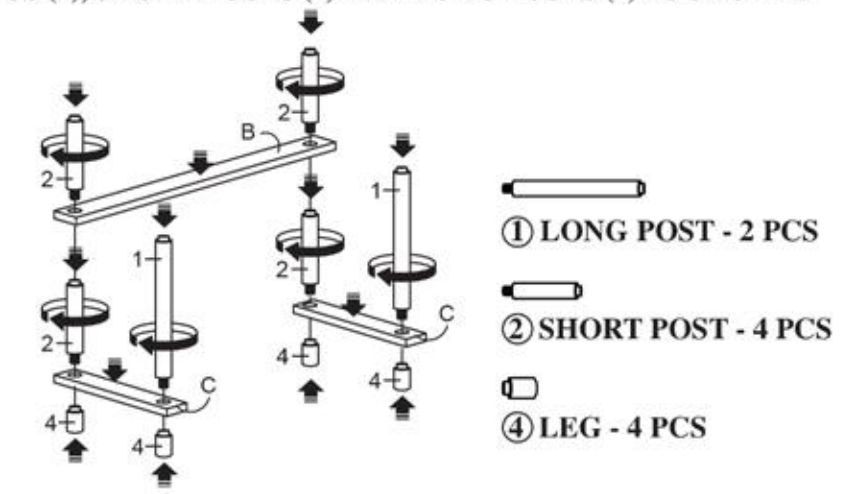


NO	HARDWARE LIST	QTY
1	LONG POST	14 PCS
2	SHORT POST	8 PCS
3	CAP	4 PCS
4	LEG	4 PCS

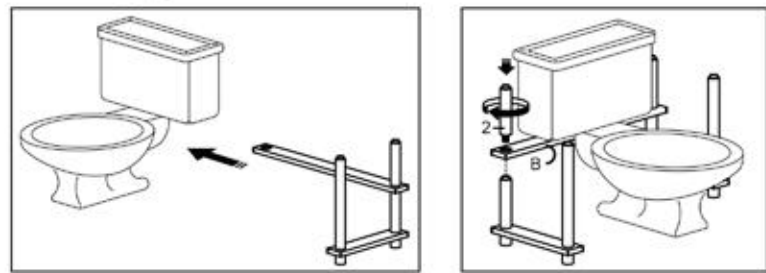
NO	PARTS LIST	QTY
A	SHELF PANEL	3 PCS
B	LONG CROSSBAR	1 PC
C	SHORT CROSSBAR	6 PCS

ASSEMBLY INSTRUCTIONS

**STEP 1 ATTACH SHORT CROSSBARS (C) TO LONG CROSSBAR (B) USING LEGS (4), SHORT POSTS (2) AND LONG POSTS (1) AS SHOWN.**

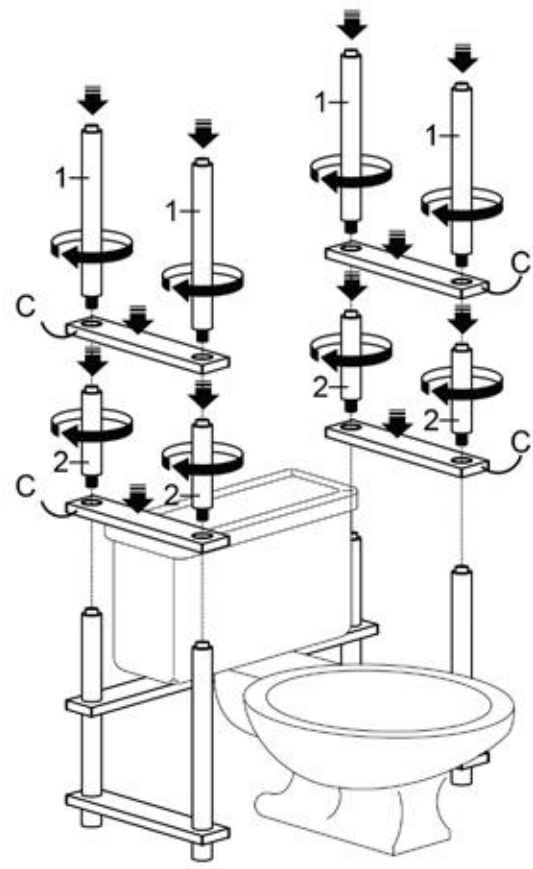


- ① LONG POST - 2 PCS
- ② SHORT POST - 4 PCS
- ④ LEG - 4 PCS



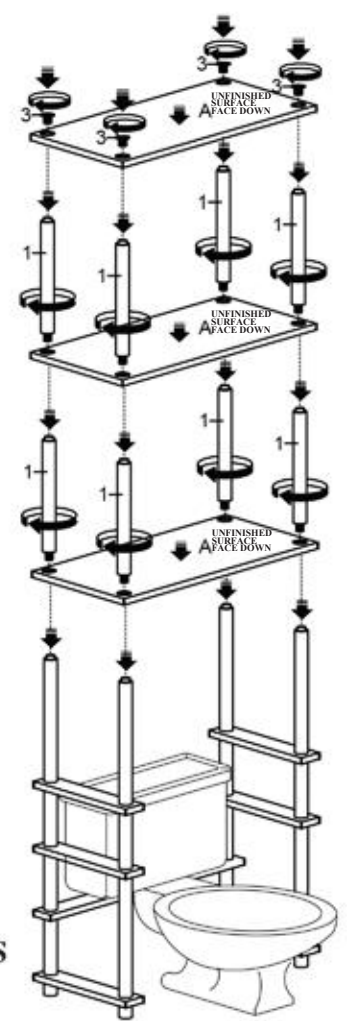
LONG CROSSBAR PIERCED THE UNDERNEATH OF TOILET

**STEP 2 ATTACH SHORT CROSSBAR (C) TO ASSEMBLED FROM STEP 1 USING SHORT POST (2) AND LONG POSTS (1) AS SHOWN.**



- ① LONG POST - 4 PCS
- ② SHORT POST - 4 PCS

**STEP 3 ATTACH SHELF PANELS (A) TO ASSEMBLED SECTION FROM STEP 2 USING LONG POST (1) AND CAPS (3) AS SHOWN.**

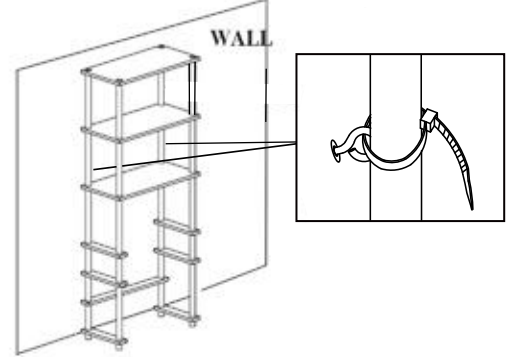
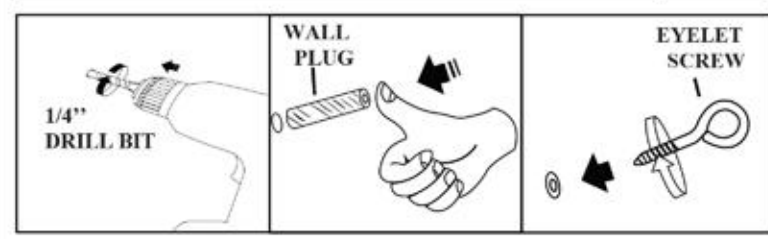


- ③ CAP - 4 PCS
- ① LONG POST - 8 PCS

PLEASE FOLLOW BELOW INSTRUCTION TO PREVENT PRODUCT TIP OVER.

**PARTS**

HARDWARE LIST			QTY
			2 SETS
WALL PLUG	EYELET SCREW	CABLE TIE	



**CAUTION: MAXIMUM LOADING CAPACITY IS 55 LBS.**  
 DO NOT SIT, STAND, LEAN, WALK, CLIMB OR JUMP ON FURNITURE! FAILURE TO COMPLY WITH THIS CAUTION COULD RESULT IN PERSONAL INJURY AND/OR PROPERTY DAMAGE!  
 This unit is intended for use only with the products and maximum weights indicated. Use with other products or products heavier than the maximum weights indicated may result in instability causing possible injury. Furniture can tip over or break if improperly moved. Have a friend help to lift and carry the unit to its new location.

