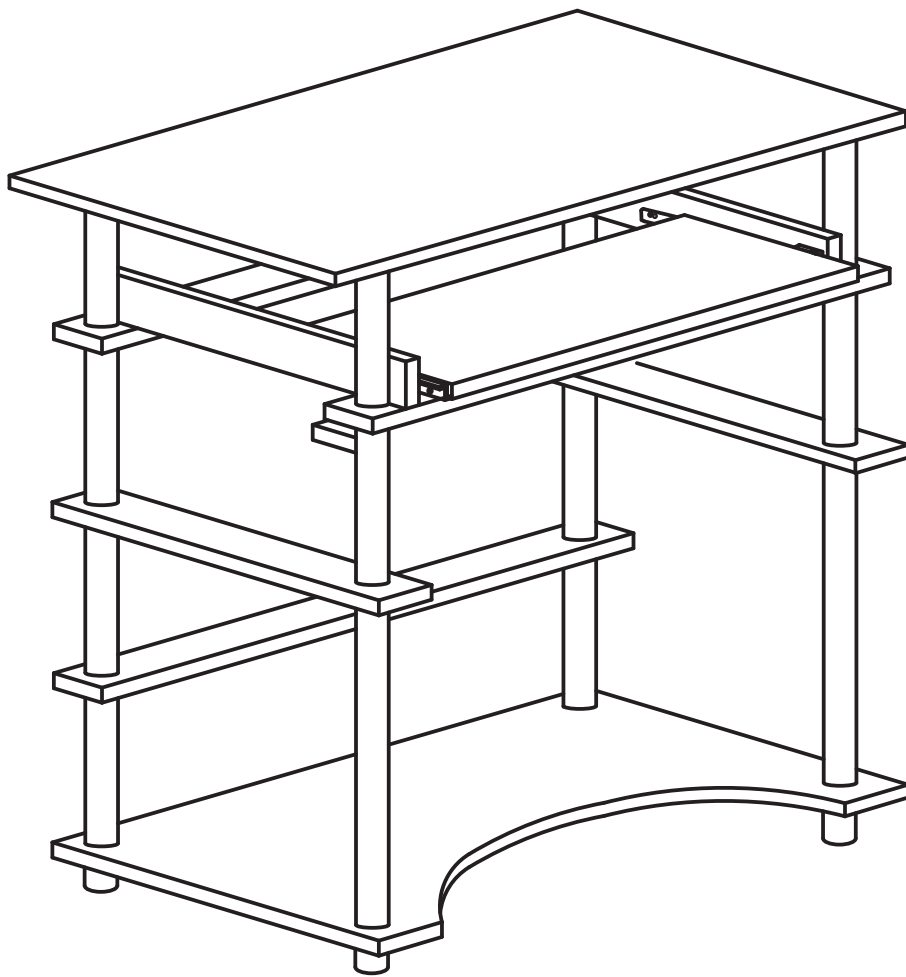






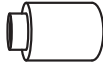






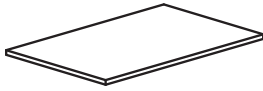






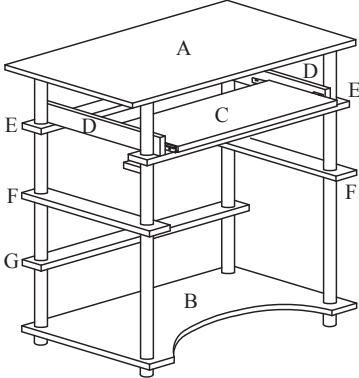
fourstargroup



***MODEL: 11211722V***  
**COMPUTER DESK**

## PARTS AND HARDWARE

**BEFORE YOU BEGIN, PLEASE FOLLOW ASSEMBLY INSTRUCTIONS CAREFULLY. FOLLOW THEM STEP BY STEP.**

1	LONG TUBE (2 PCS)	
2	SHORT TUBE (12 PCS)	
3	LEG (4 PCS)	
4	INSERT CAP (4 PCS)	
5	DRAWER SLIDE (1 SET)	5A  (2 PCS) 5B  (2 PCS)
6	10mm SCREW ( 9 PCS)	
7	32mm SCREW (4 PCS)	
8	L-BRACKET (1 PCS)	
A	TOP PANEL (1 PC)	
B	BOTTOM PANEL (1 PC)	
C	KEYBOARD PANEL (1 PC)	
D	L&R SLIDE PANEL (2 PCS)	
E	APRON (2 PCS)	
F	L&R CROSSBAR (2 PCS)	
G	BOTTOM CROSSBAR (1 PC)	
		

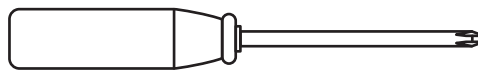
**BEFORE YOU BEGIN, PLEASE READ ASSEMBLY INSTRUCTIONS CAREFULLY. FOLLOW THEM STEP BY STEP.**

**CAUTION :**

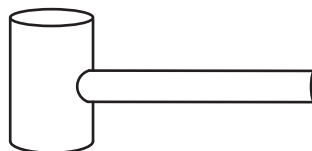
- 1. ADULT SUPERVISION IS REQUIRED DUE TO SMALL PARTS. CARE SHOULD BE TAKEN IN THE UNPACKING AND ASSEMBLY OF THE PRODUCT.**
- 2. ASSEMBLE ON SOFT SURFACES TO PREVENT DAMAGE TO THE PRODUCT FINISH.**
- 3. MAKE SURE ALL PARTS ARE INCLUDED BEFORE ASSEMBLY.**

**ASSEMBLY TOOLS REQUIRED :**

**PHILLIPS  
SCREWDRIVER**



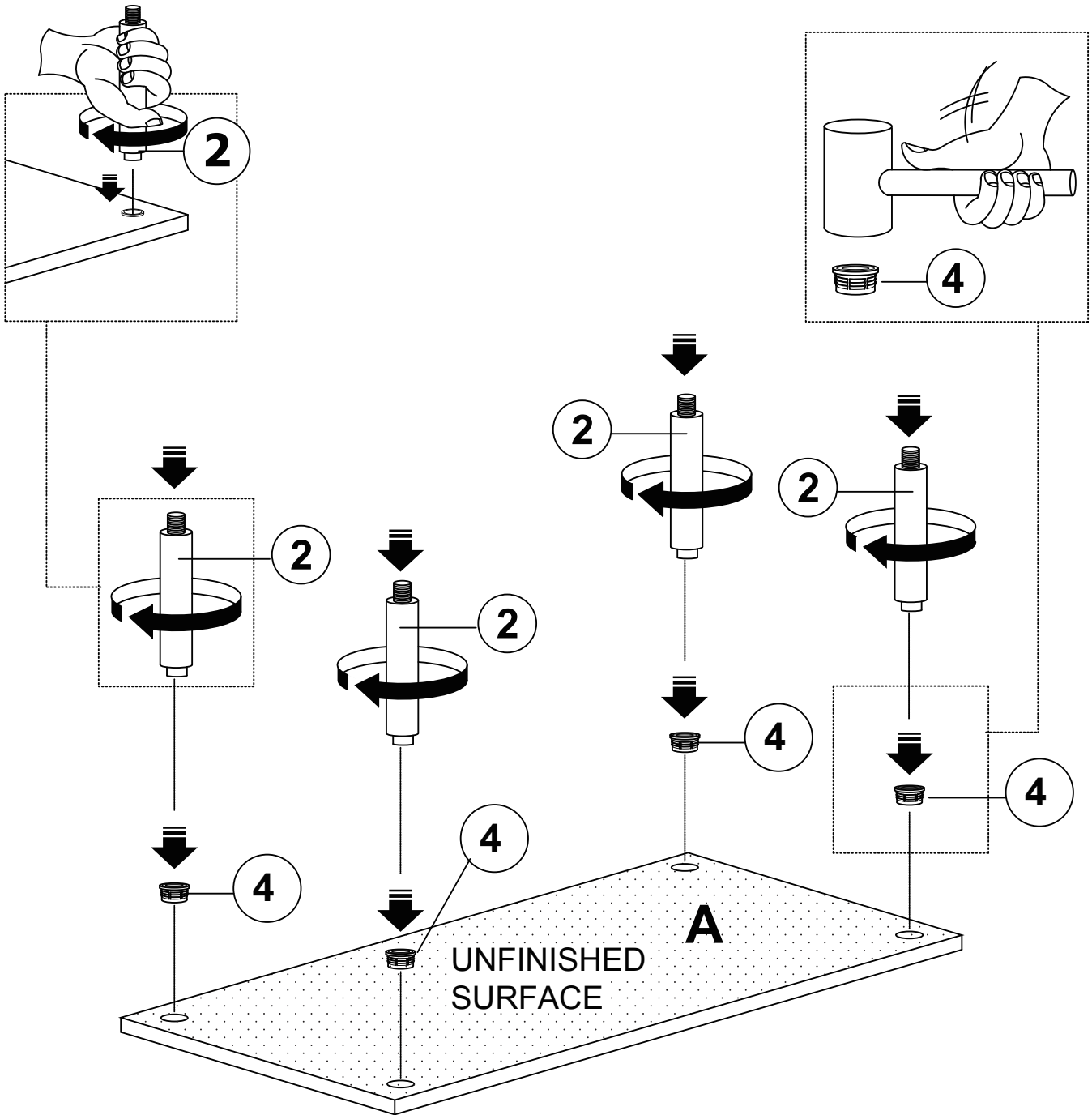
**RUBBER MALLET**



# ASSEMBLY INSTRUCTIONS

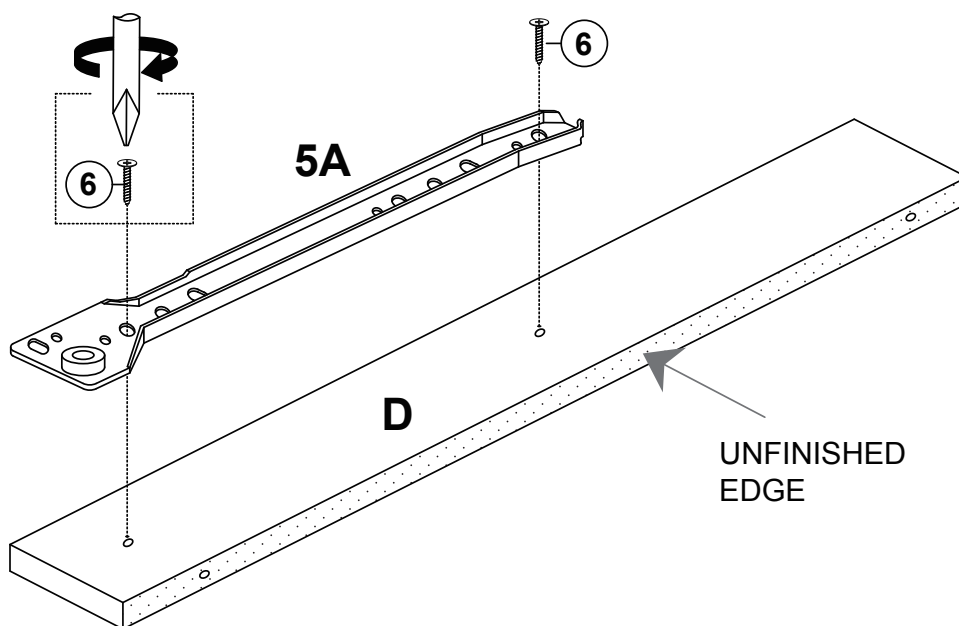
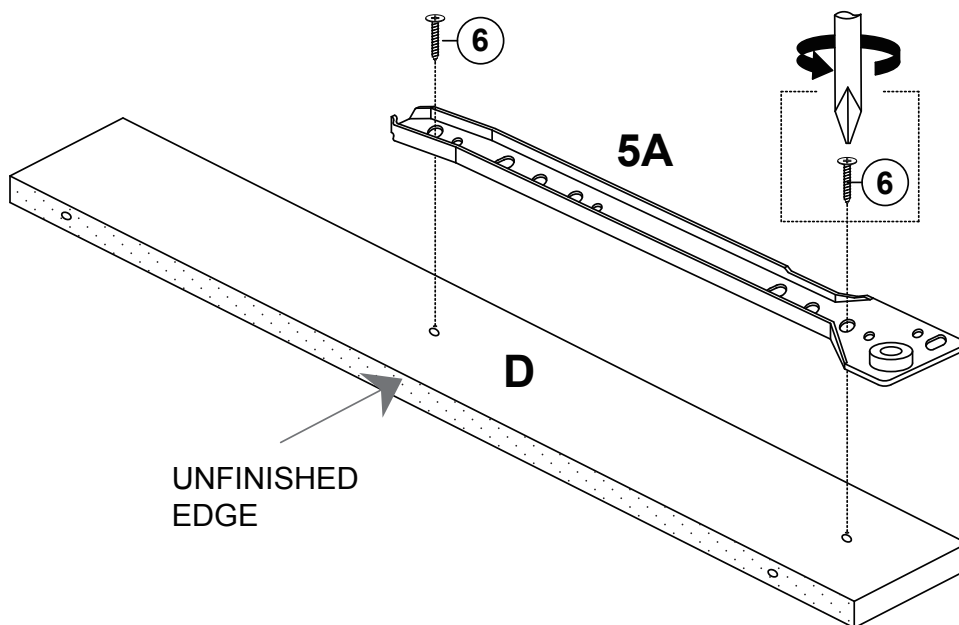
## STEP 1.

ATTACH THE INSERT CAPS ( 4 ) TO THE TOP PANEL ( A ) USING 4 SHORT TUBES ( 2 ) AS SHOWING.



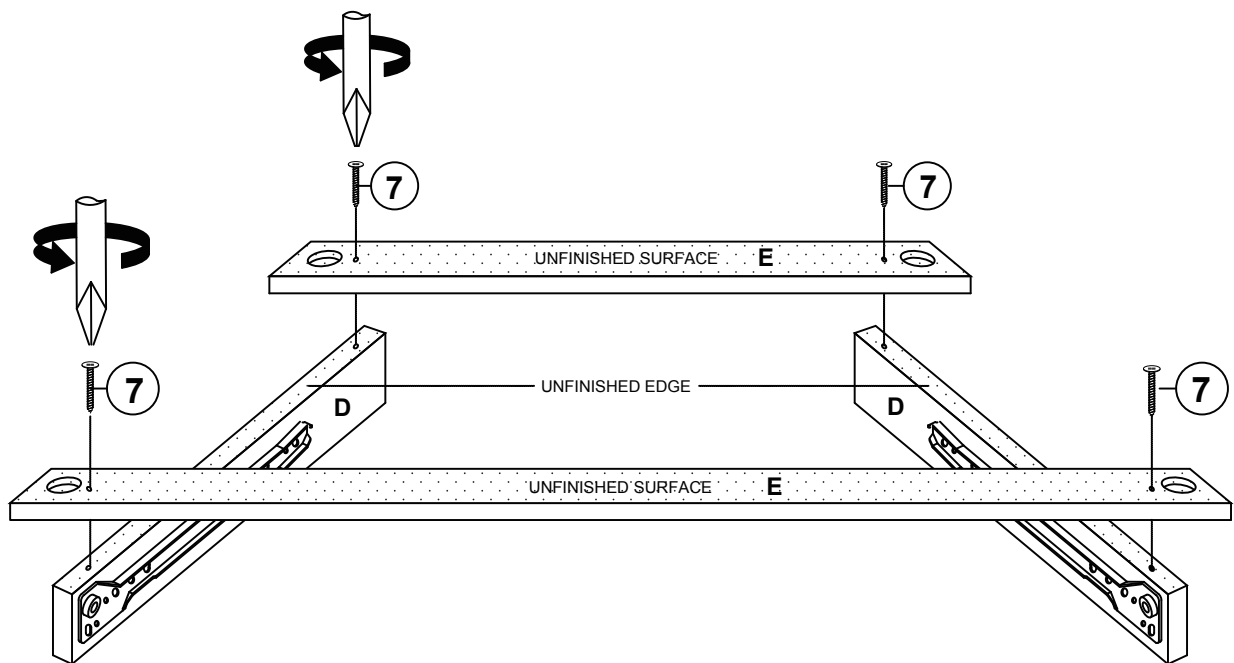
**STEP 2.**

**ATTACH 10" DRAWER SLIDERS ( 5A ) TO L & R SLIDER PANEL ( D )  
USING 1/2" SCREWS ( 6 ) AS SHOWN.**

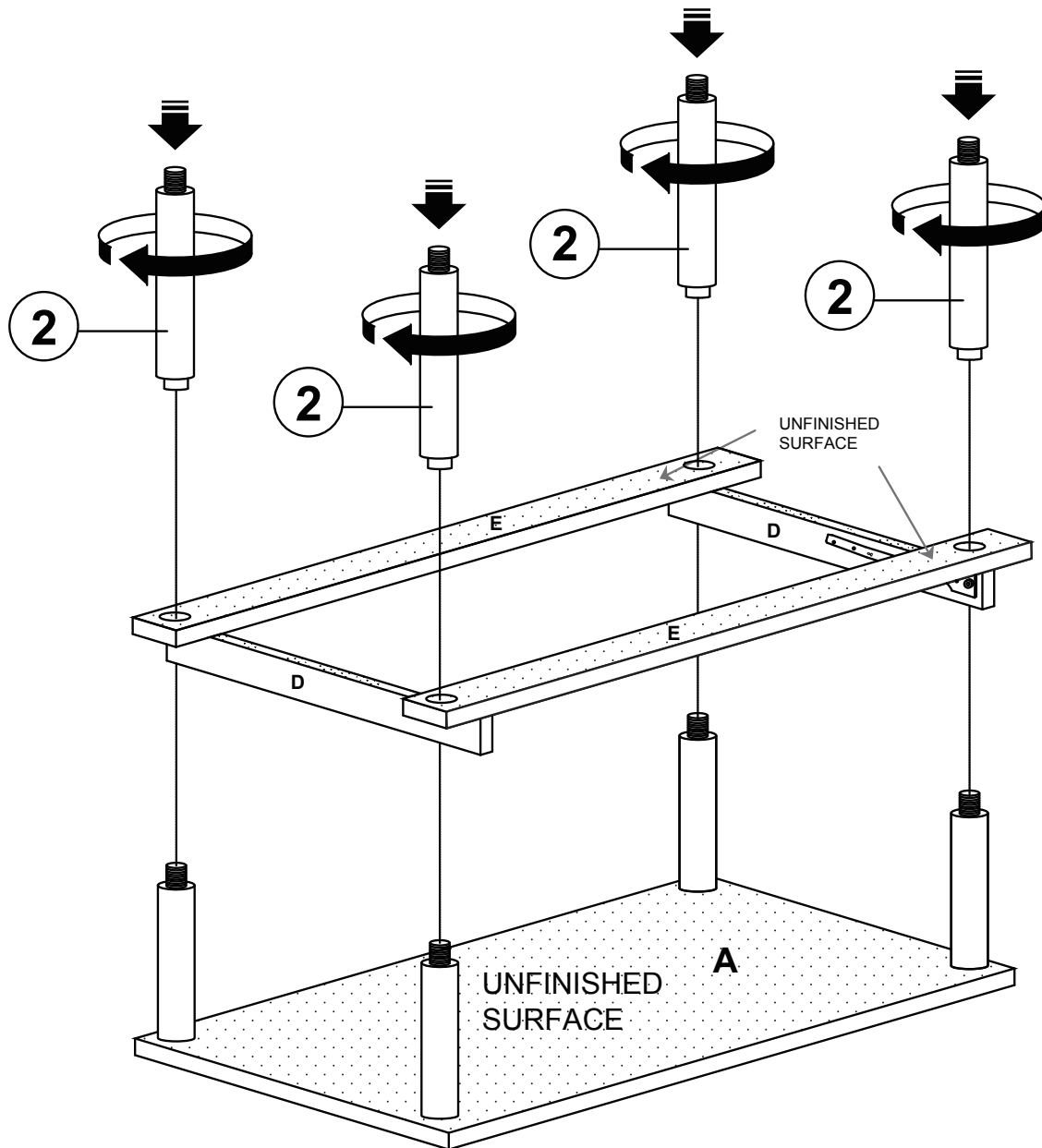


**STEP 3.**

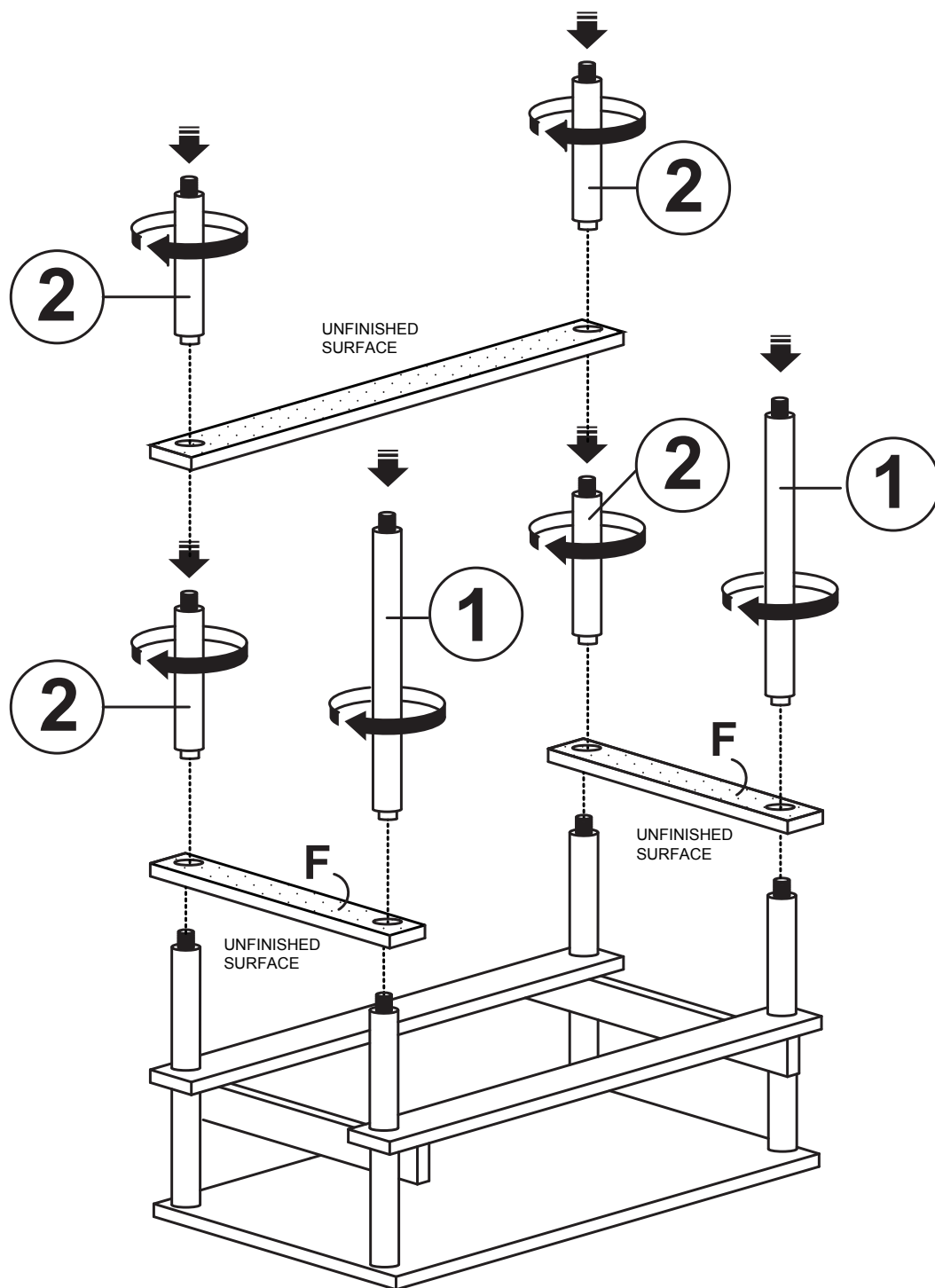
**ATTACH F & B APRON PANEL ( C ) TO ASSEMBLED L & R SLIDE PANEL ( D ) FROM STEP 2 USING 32mm SCREWS ( 7 ) AS SHOWN.**



**STEP 4.**  
**USING THE ASSEMBLED PARTS FROM STEP 1 AND STEP 3 ATTACH**  
**SHORT TUBES ( 2 ) AS SHOWN.**

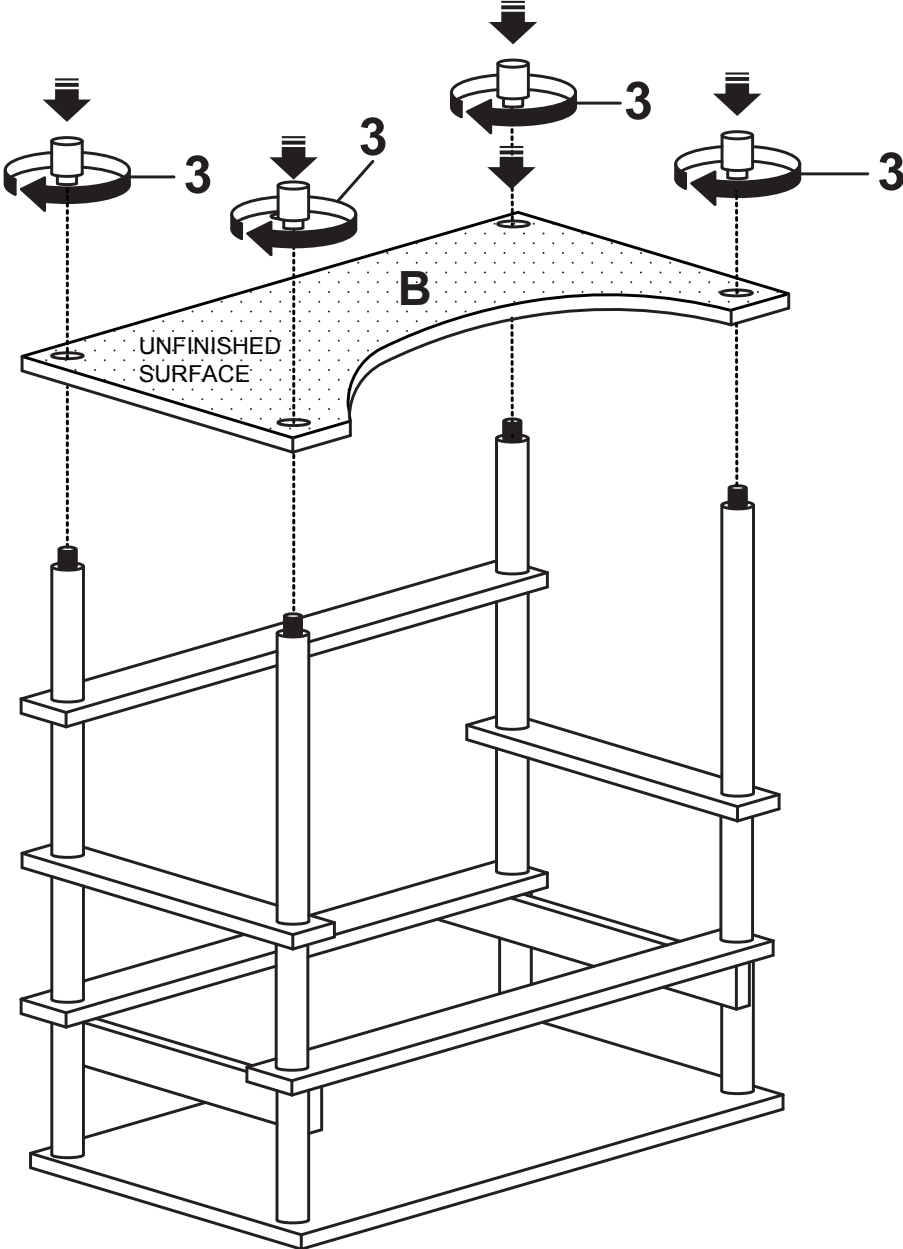


**STEP 5.**  
**ATTACH L & R SIDE PANEL ( F ) AND BOTTOM CROSSBAR ( G ) TO**  
**ASSEMBLED FROM STEP 4 USING LONG TUBES ( 1 ) AND SHORT**  
**TUBES ( 2 ) AS SHOWING.**



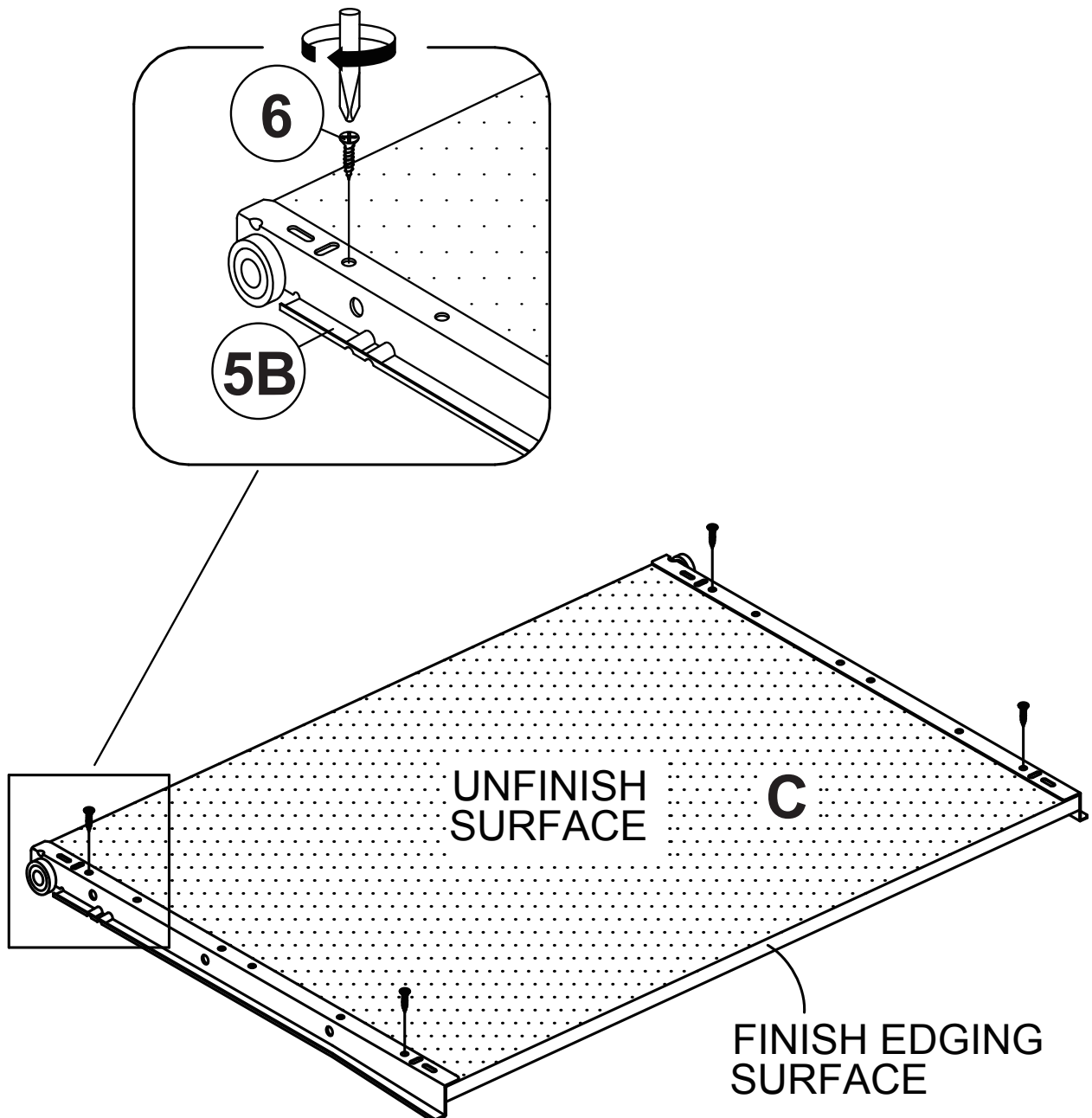


**STEP 6.**  
**ATTACH BOTTOM PANEL ( P2 ) TO ASSEMBLED FROM STEP 5 USING**  
**LEGS ( 3 ) AS SHOWING.**

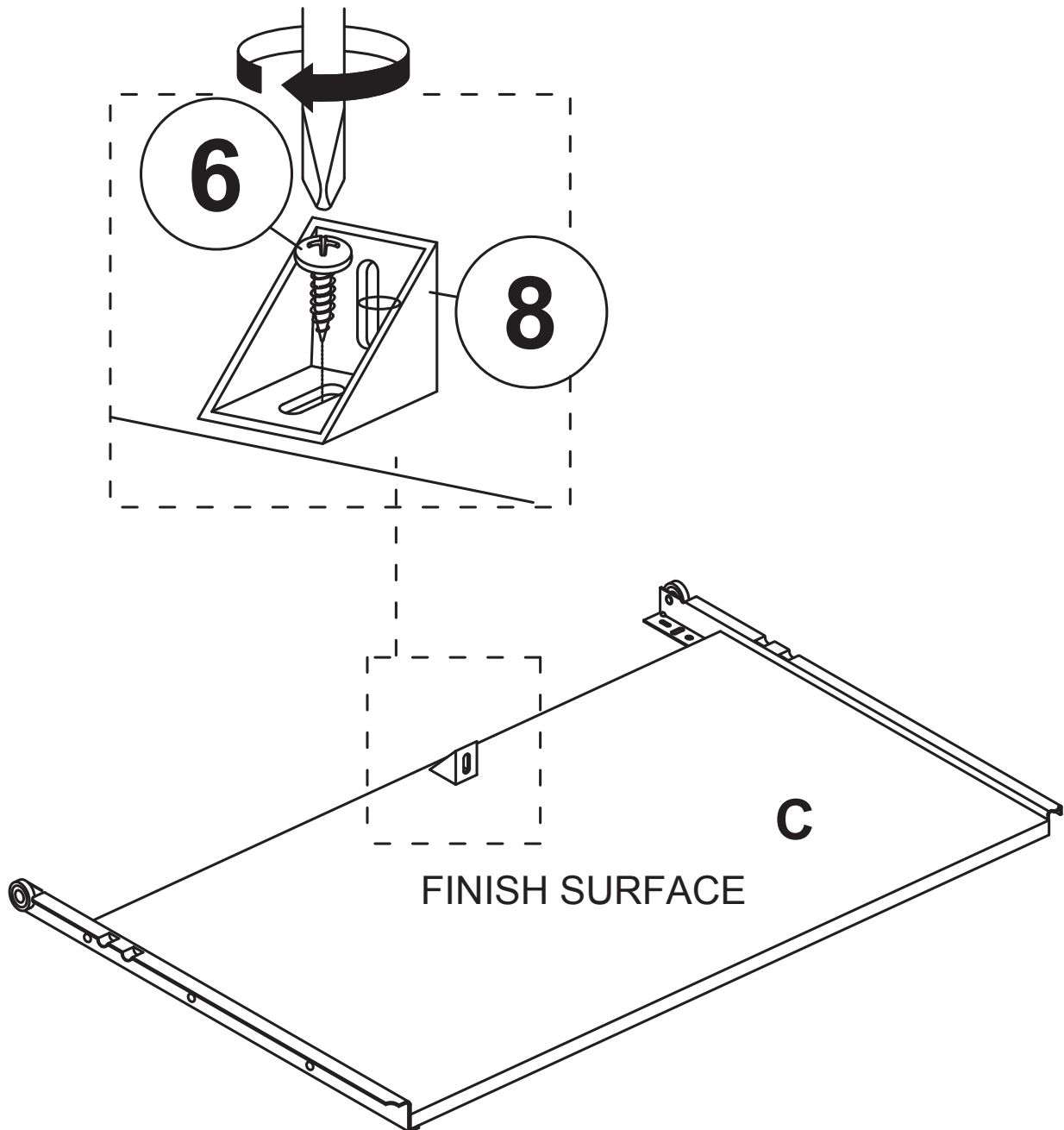


**STEP 7.**

**ATTACH 10" DRAWER SLIDERS (5B) AND TO KEYBOARD PANEL (C) USING 1/2" SCREWS (6) AS SHOWN.**

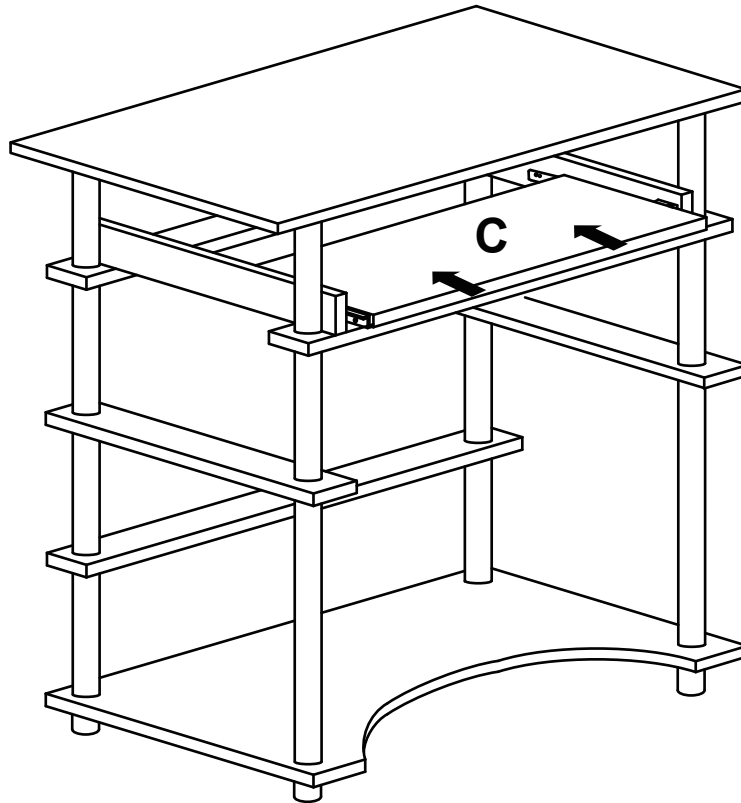


**STEP 8.**  
**ATTACH L-BRACKET (8) TO KEYBOARD PANEL (C) USING 1/2"**  
**SCREWS (6) AS SHOWN.**

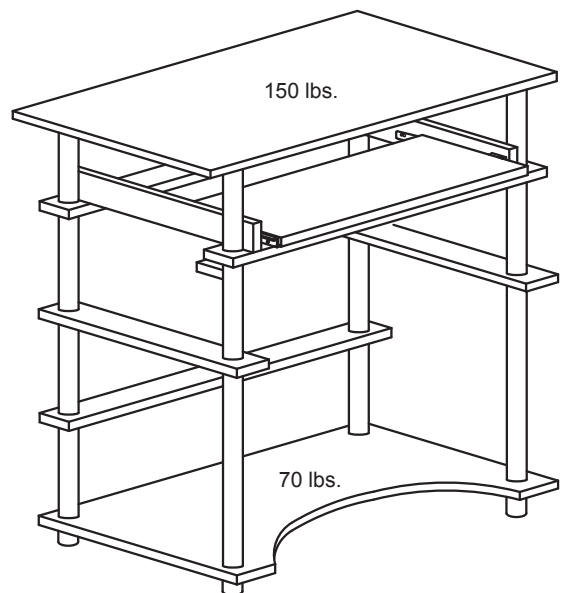


**STEP 9.**

**SLIDE THE KEYBOARD PANEL ( C ) TO THE ASSEMBLED COMPUTER DESK AS SHOWN.**



This unit is intended for use only with the products and maximum weights indicated. Use with other products or products heavier than the maximum weights indicated may result in instability causing possible injury. Furniture can tip over or break if improperly moved. Have a friend help to lift and carry the unit to its new location.



Do you have any questions ? Missing small parts or hardware ?  
If you need assistance with the assembly of your COMPUTER  
DESK please e-mail our Customer Service  
Department at:  
**support@fourstari.com**  
or call us at **(508) 435-4830**  
or (800) 639-3803

Please include the following information in your email:  
i Where item was purchased  
i Item, model, style or SKU number listed on instructions  
or box  
i Part number, description of the part and quantity needed  
  
This information will help us get the proper part to you faster