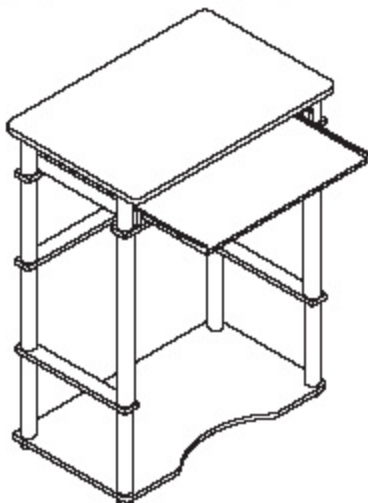




fourstargroup
ITEM: 11211722CB

THIS INSTRUCTION BOOKLET CONTAINS **IMPORTANT** SAFETY INFORMATION. PLEASE READ AND KEEP FOR FUTURE REFERENCE. THIS INSTRUCTION MANUAL IS PRINTED ON RECYCLED PAPER USING EARTH FRIENDLY SOY BASED INK.



UPC#4893948120086 MODEL: 7143015

BLACK COMPUTER STAND



STOP Do not return to the store

Do you have any questions ? Missing small parts or hardware?
If you need assistance with the assembly of your **COMPUTER DESK** please e-mail our Customer Service Department at:
support@fourstari.com or call us at 1-800-639-3803

Please let customer service know:

1. You purchased this item from Wal-Mart
2. The item description is: Computer Desk
3. The item number is 11211722CB
4. The part number/letter and quantity needed

If you have this information ready, we will be able to process your request promptly. Thank you

LOT#0308-10000

DATE PURCHASED ____ / ____ / ____

CAUTION :

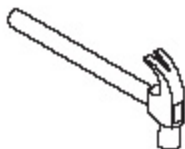
1. Read this instruction manual and keep it for reference.
2. Adult supervision is required due to small parts.
3. Assemble on soft surfaces to prevent damage to the product finish.
4. Recommended two people to assemble the product.
5. Estimated half hour for assembly.
6. Make sure all parts are included before assembly.
7. Call our toll-free customer service if needed.

ASSEMBLY TOOLS REQUIRED

PHILLIPS SCREWDRIVER

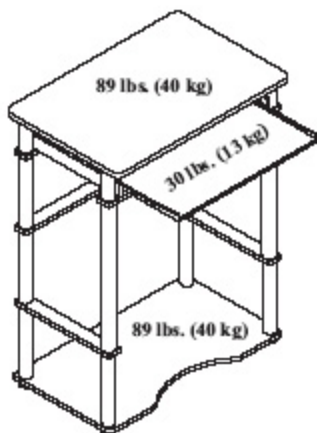


HAMMER




















WARNING!!!

This unit is intended for use only with the products and maximum weights indicated. Use with other products or products heavier than the maximum weights indicated may result in instability causing possible injury. Furniture can tip over or break if improperly moved. Have a friend help to lift and carry the unit to it's new location.



PARTS AND HARDWARE

BEFORE YOU BEGIN, PLEASE FOLLOW ASSEMBLY INSTRUCTIONS CAREFULLY.
FOLLOW THEM STEP BY STEP.

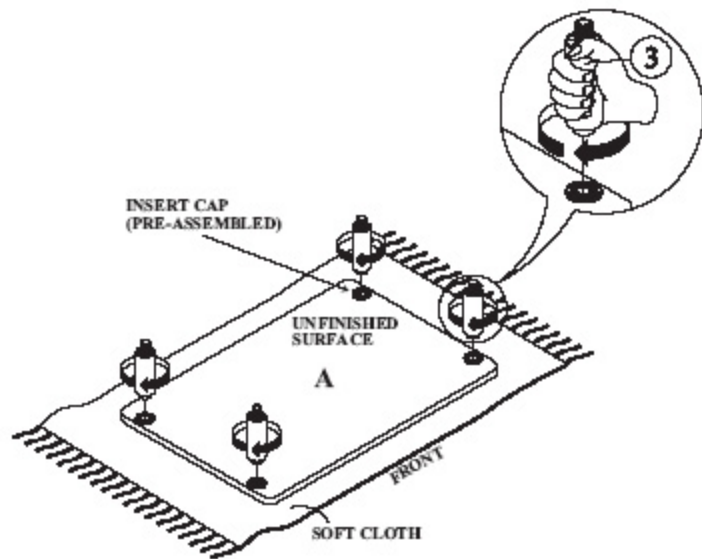
	Part Name	Line-art Drawing	Size	Quantity	Material	Finish	Finished Edges
1	Long Tube		3.8 x 3.8 x 47cm	2	PE	Silver	
2	Short Tube		3.4 x 3.4 x 24.4cm	8	PE	Silver	
3	Extra Short Tube		3.4 x 3.4 x 12cm	4	PE	Silver	
4	Foot		3.3 x 3.3 x 2.4cm	4	PE	Silver	
5	Insert Cap (pre inserted)		3.4 x 3.4 x 1.3cm	4	PE	Black	
6	Drawer Slide		25.4cm drawer slide	1 Set	Metal	Black	
7	10mm Screw		1cm Flat Head	4	Metal	Gold	
8	32mm Screw		3.2cm Flat Head	4	Metal	Gold	
9	Keyboard Stopper		0.4 x 1.4 x 4.5cm	2	PE	Black	
10	Power Pin		1.9cm Power Pin	2	Metal	Silver	
A	Top Panel		1.5 x 39.5 x 60cm	1	Particleboard	Black	4
B	Bottom Panel		1.15 x 34 x 60cm	1	Particleboard	Black	4
C	Drawer Slide Crossbar		1.9 x 4 x 32.5cm	2	PE	Black	
D	Keyboard Panel		0.9 x 25 x 47.8cm	1	Particleboard	Black	2
E	Apron Crossbar		1.15 x 4 x 59.8cm	2	Particleboard	Black	4
F	Left & Right Crossbar		1.15 x 4 x 32.8cm	2	Particleboard	Black	4
G	Bottom Crossbar		1.15 x 4 x 59.8cm	1	Particleboard	Black	4

ASSEMBLY INSTRUCTIONS

Step 1.

Place the **TOP PANEL (A)** surface face down on a soft cloth/blanket in order to protect the surface.

Carefully attached the **EXTRA SHORT TUBES (3)** to the **INSERT CAPS (5)**.



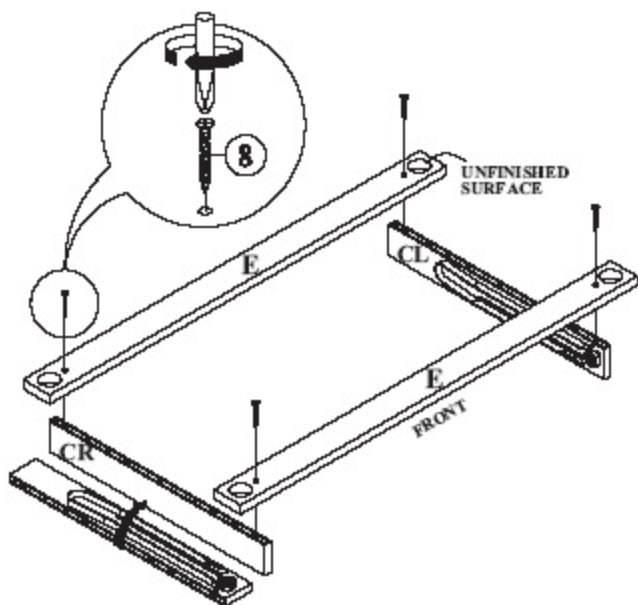
Ⓐ Top Panel - 1 PC



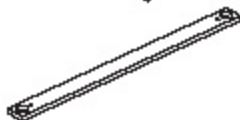
③ Extra Short Tube - 4 PCS

Step 2.

Place the **DRAWER SIDE CROSSBAR (CL & CR)** upright & attach the **APRON CROSSBAR (E)** using **32mm SCREWS (8)**.



Ⓒ Drawer Side Crossbars
Crossbars - 2 PCS



Ⓔ Apron Crossbar - 2 PCS

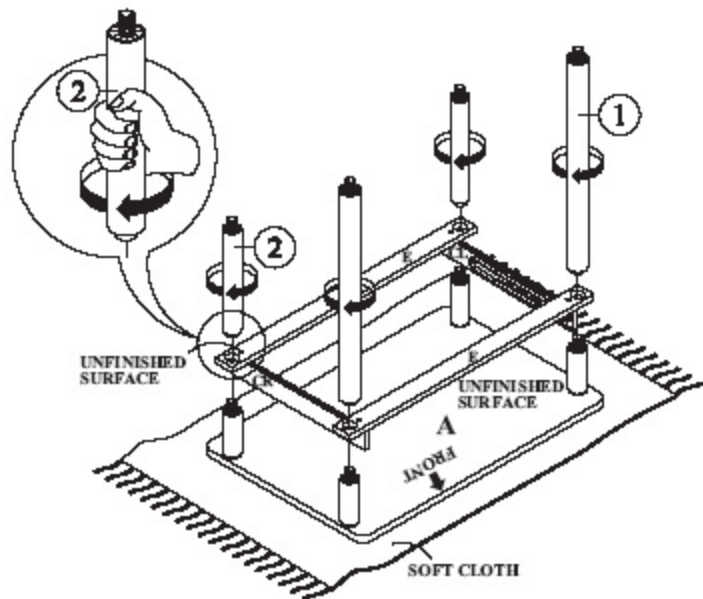


Ⓗ 32mm Screw - 4 PCS

Step 3.

Place the keyboard drawer ASSEMBLY FROM STEP 2 over the EXTRA SHORT TUBES (3) and then attached the LONG and SHORT TUBES (1 and 2) to hold it in place.

*Noted the ends of the drawer slides will be both facing the front of the desk.



① Long Tube - 2 PCS

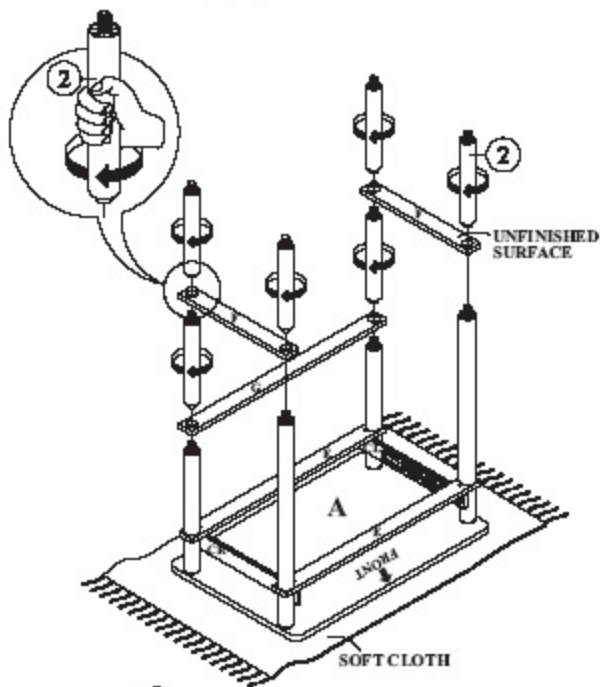


② Short Tube - 2 PCS

Step 4.

Place the **BOTTOM CROSSBAR (G)** over the **SHORT TUBES (2)**. Then, attached the **SHORT TUBES (2)**.

Place the **L&R CROSSBARS (F)** over the **LONG** and **SHORT TUBES (1 and 2)**, Then, attached **SHORT TUBES (2)** again.



F Left & Right Crossbar - 2 PCS



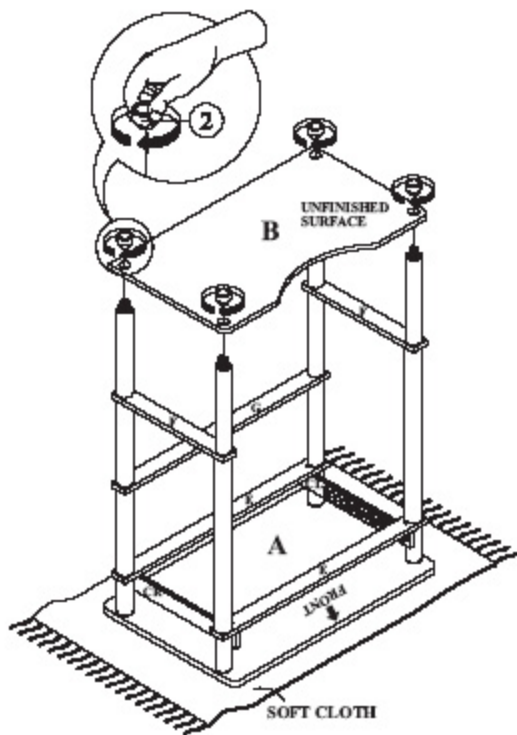
G Bottom Crossbar - 1 PC



2 Short Tube - 6 PCS

Step 5.

Place the **BOTTOM PANEL (B)** on to the **SHORT TUBES (2)** and then attach the **FOOTINGS (4)**.



Ⓑ Bottom Panel - 1 PC

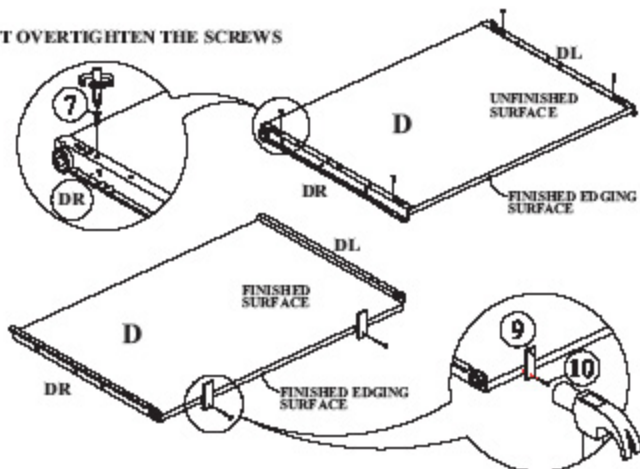


Ⓓ Foot - 4 PCS

Step 6.

Attach the 10" DRAWER SLIDES (DL & DR) to each side the KEYBOARD DRAWER PANEL (D) using 10mm SCREWS (7), Then attached the KEYBOARD STOPPER (9) to the finish edging surface of the KEYBOARD DRAWER PANEL (D) using POWER PIN (10).

***NOT OVERTIGHTEN THE SCREWS**



① Keyboard Panel - 1 PC



⑥ Drawer Slide - 2 PCS



⑦ 10mm Screw - 4 PCS



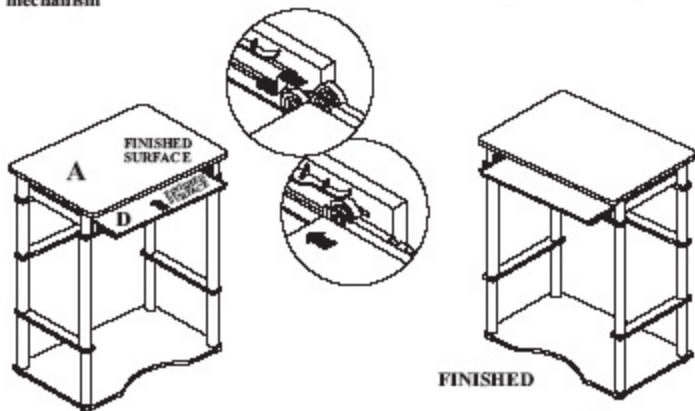
⑨ Keyboard Stopper - 2 PCS



⑩ Power Pin - 2 PCS

Step 7.

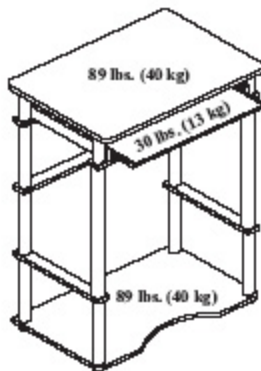
Carefully turn the computer workstation right side up. Then insert the **KEYBOARD DRAWER PANEL (D)** from **STEP 6** at the top of the rolling mechanism



To clean the computer desk, wipe with soft, dry cloth. Apply a small amount of cleaning solution to the cloth if required. Do not use abrasive cleaners in order to prevent the scratching the surfaces.

WARNING!!!

This unit is intended for use only with the products and maximum weights indicated. Use with other products or products heavier than the maximum weights indicated may result in instability causing possible injury. Furniture can tip over or break if improperly moved. Have a friend help to lift and carry the unit to its new location.



STOP Do not return to the store

Do you have any questions ? Missing small parts or hardware?
If you need assistance with the assembly of your **COMPUTER DESK** please e-mail our Customer Service Department at:
support@fourstari.com or call us at 1-800-639-3803

STOP!

Missing Small Parts Or Hardware
Or Need Assistance?

No Need To Go Back To The Store!

The store where you made your purchase does not stock hardware for this item. If you need hardware or small parts, contact Customer Service. We will happily ship your part, free of charge, within 48 hours of your request.

Please provide the following information:

- Name of the store purchased from.
 - Date of purchase.
- Item, model, style or SKU number listed on the instructions or box.
- Description of the actual item in question.
 - Part number, description of the part and quantity needed.

This information will help use
fulfill your request efficiently.

Contact Customer Service:

Email us at support@fourstari.com or visit
www.fourstari.com

Or Call Us At 800-639-3803

Hours Of Operation are:

Monday – Friday, 9:00AM – 5:00PM Eastern