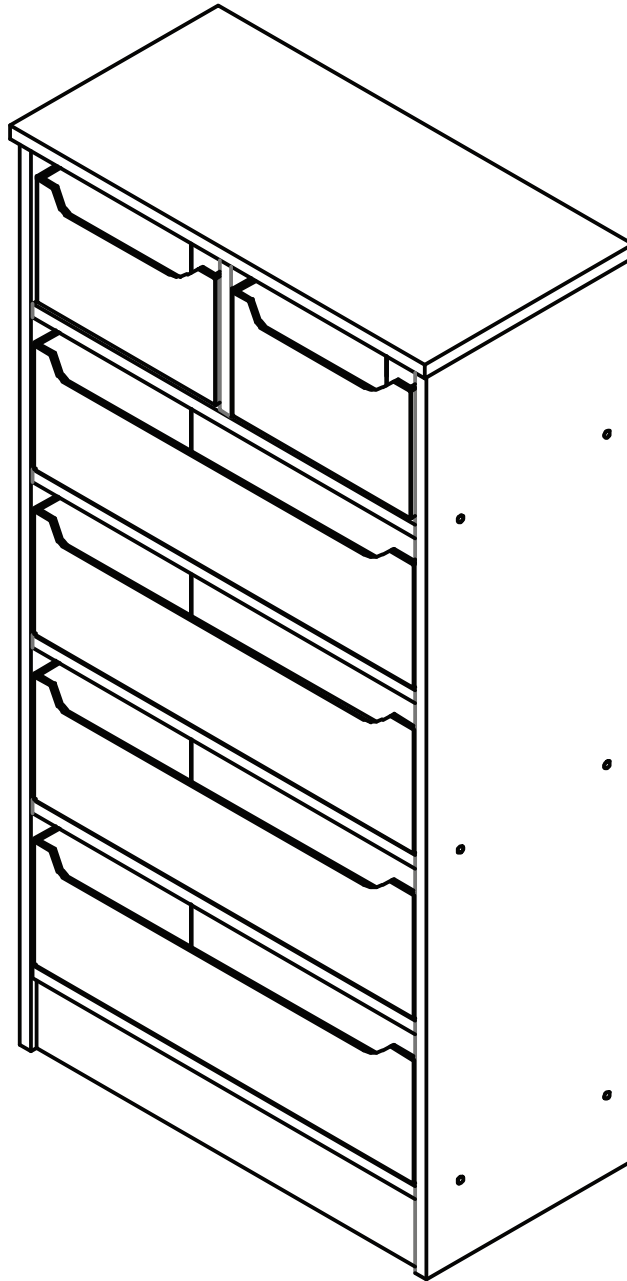








fourstargroup

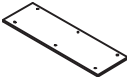
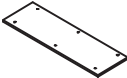
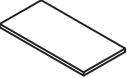
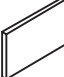
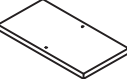

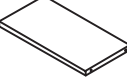


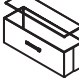


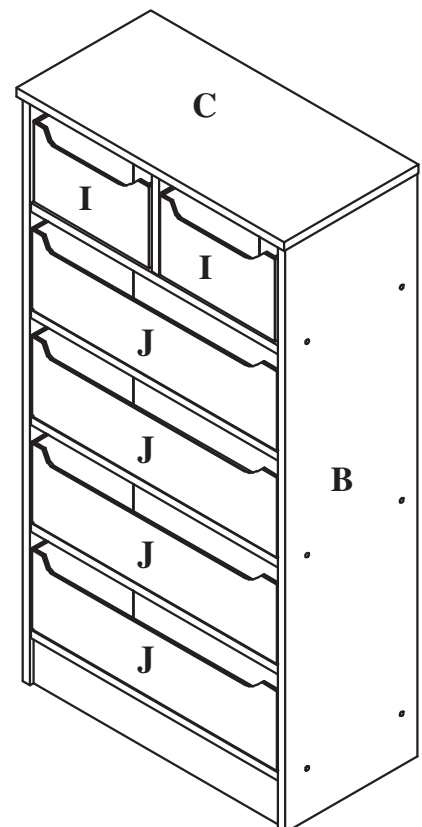
MODEL: 11210929

6 DRAWER ORGANIZER

PARTS LIST AND HARDWARE

NO	HARDWARE LIST		QTY
1	DOWEL M6 x 30 mm		16 PCS
2	SCREW		12 PCS
3	WHITE GLUE		1 PC
4	DOWEL M5 x 20 mm		4 PCS

NO	PARTS LIST		QTY
A	LEFT SIDE PANEL		1 PC
B	RIGHT SIDE PANEL		1 PC
C	TOP PANEL		1 PC
D	CENTER PANEL		1 PC
E	FIX PANEL		1 PC
F	BOTTOM BAR		1 PC
G	FIX PANEL		1 PC
H	FIX PANEL		2 PCS
I	STORAGE BIN SMALL		2 PCS
J	STORAGE BIN BIG		4 PCS



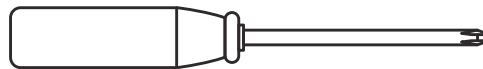
BEFORE YOU BEGIN , PLEASE READ ASSEMBLY INSTRUCTIONS CAREFULLY. FOLLOW THEM STEP BY STEP.

CAUTION:

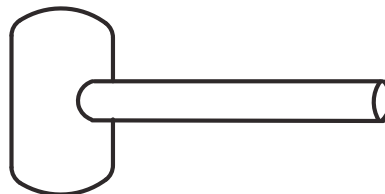
- 1. ADULT SUPERVISION IS REQUIRED DUE TO SMALL PARTS. CARE SHOULD BE TAKEN IN THE UNPACKING AND ASSEMBLY OF THE PRODUCT.**
- 2. ASSEMBLE ON SOFT SURFACES TO PREVENT DAMAGE TO THE PRODUCT FINISH.**
- 3. MAKE SURE ALL PARTS ARE INCLUDED BEFORE ASSEMBLY.**

ASSEMBLY TOOLS REQUIRED

**PHILIPS
SCREWDRIVER**



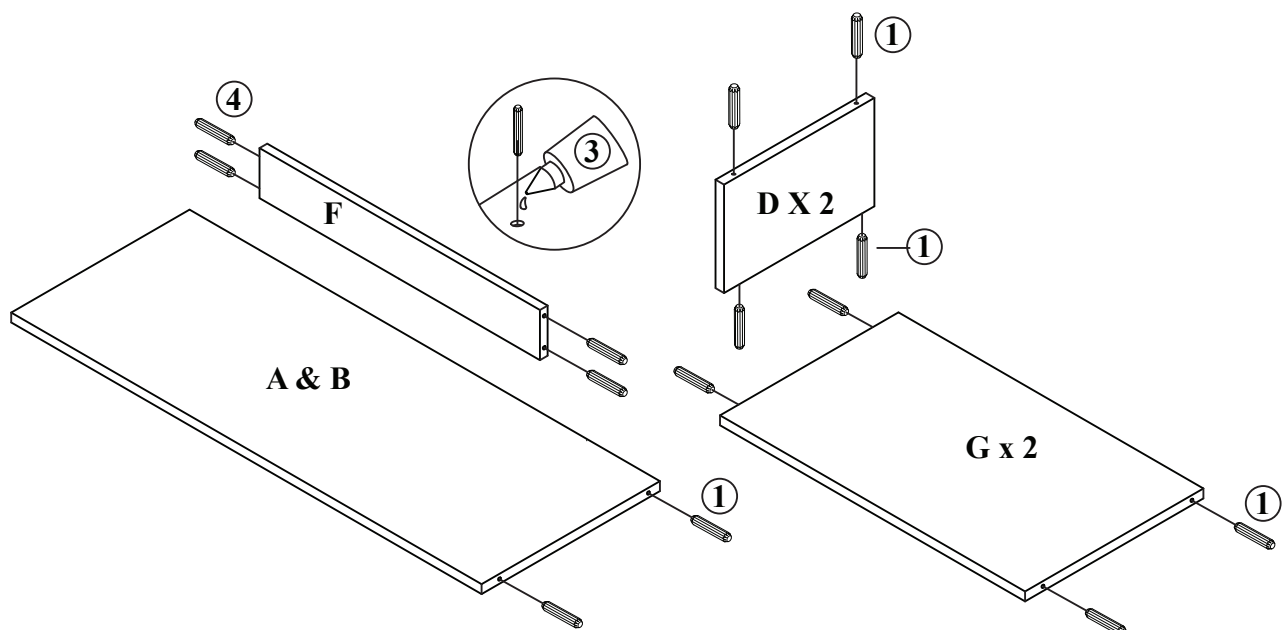
RUBBER Mallet






ASSEMBLY INSTRUCTIONS

STEP 1

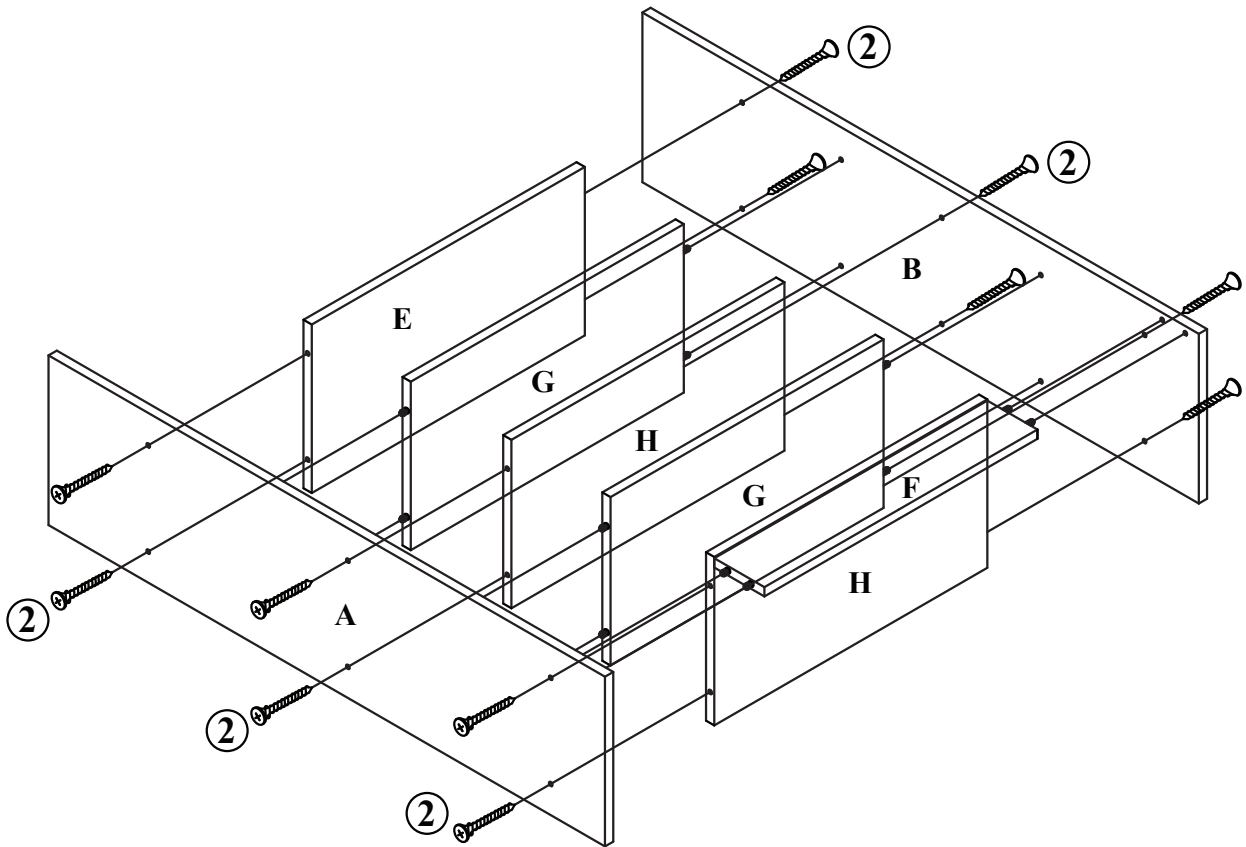
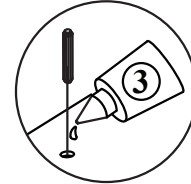
- 1.1 INSTALL THE DOWEL (1) TO THE CENTER PANEL (D), FIX PANEL (G) AND THE SIDE PANELS (A & B) USING THE GLUE (3), AS SHOWN.
- 1.2 INSTALL THE DOWEL (4) TO THE BOTTOM BAR (F) USING THE GLUE (3), AS SHOWN.



-  ① DOWEL M6 x 30 mm - 16PCS
-  ③ WITH GLUE - 1PC
-  ④ PLASTIC DOWEL M5 x 20 mm - 4PCS

STEP 2

ATTACH THE FIX PANELS (G) TO THE SIDE PANELS (A & B) USING THE DOWELS (1) AND GLUE (3), THEN ATTACH THE FIX PANELS (E & H) WITH THE BOTTOM BAR (F) AND THE SIDE PANELS (A & B) USING THE SCREWS (2), AS SHOWN.



② SCREW - 12 PCS

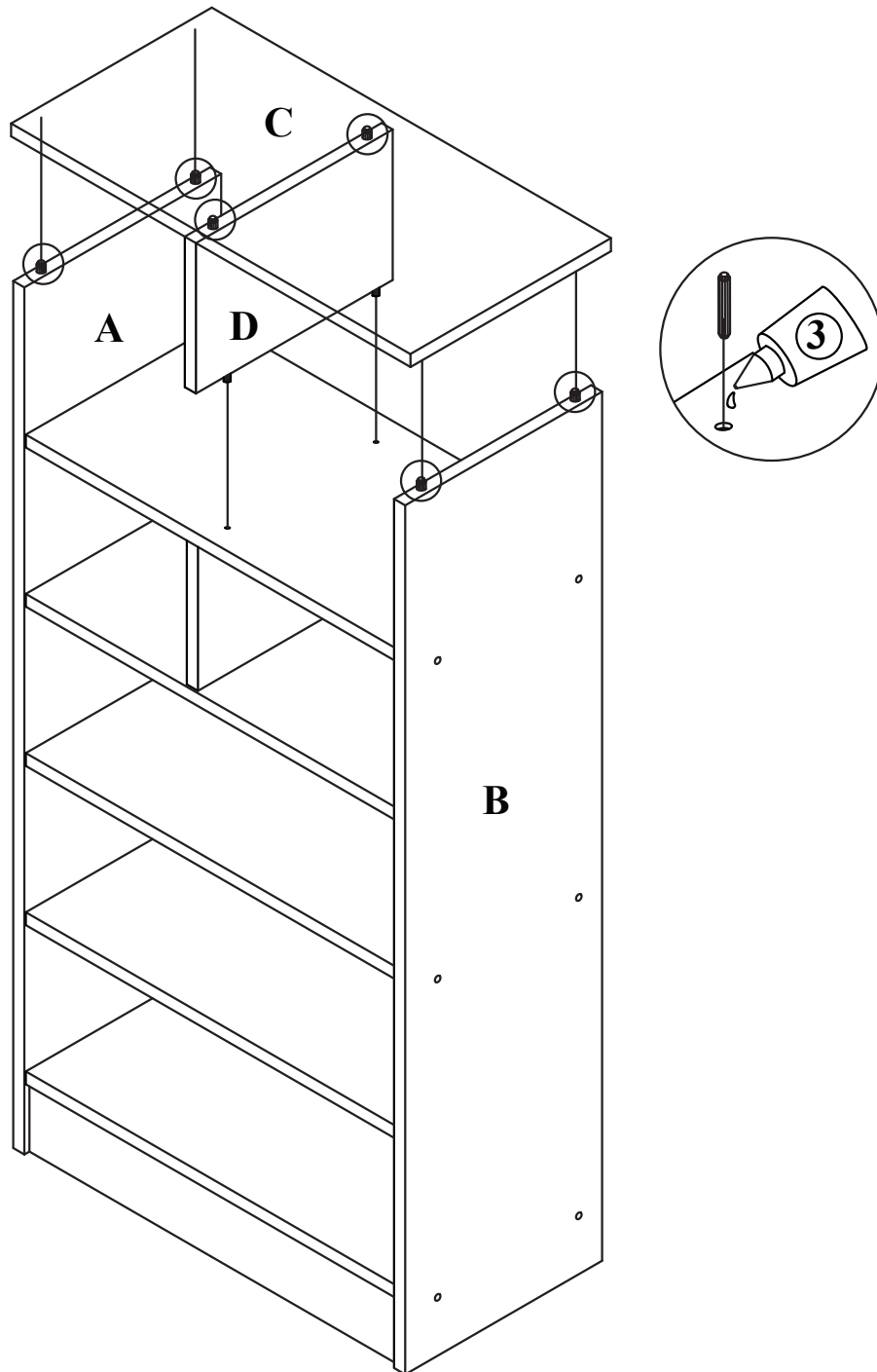


③ WITH GLUE - 1PC

STEP 3

3.1 ATTACH THE CENTER PANEL (D) ONTO THE FIX PANEL (E) USING THE DOWEL (1) AND GLUE (3), AS SHOWN.

3.2 ATTACH THE TOP PANEL (C) TO THE CENTER PANEL (D) AND SIDE PANELS (A & B) USING THE DOWEL (1) AND GLUE (3), AS SHOWN.

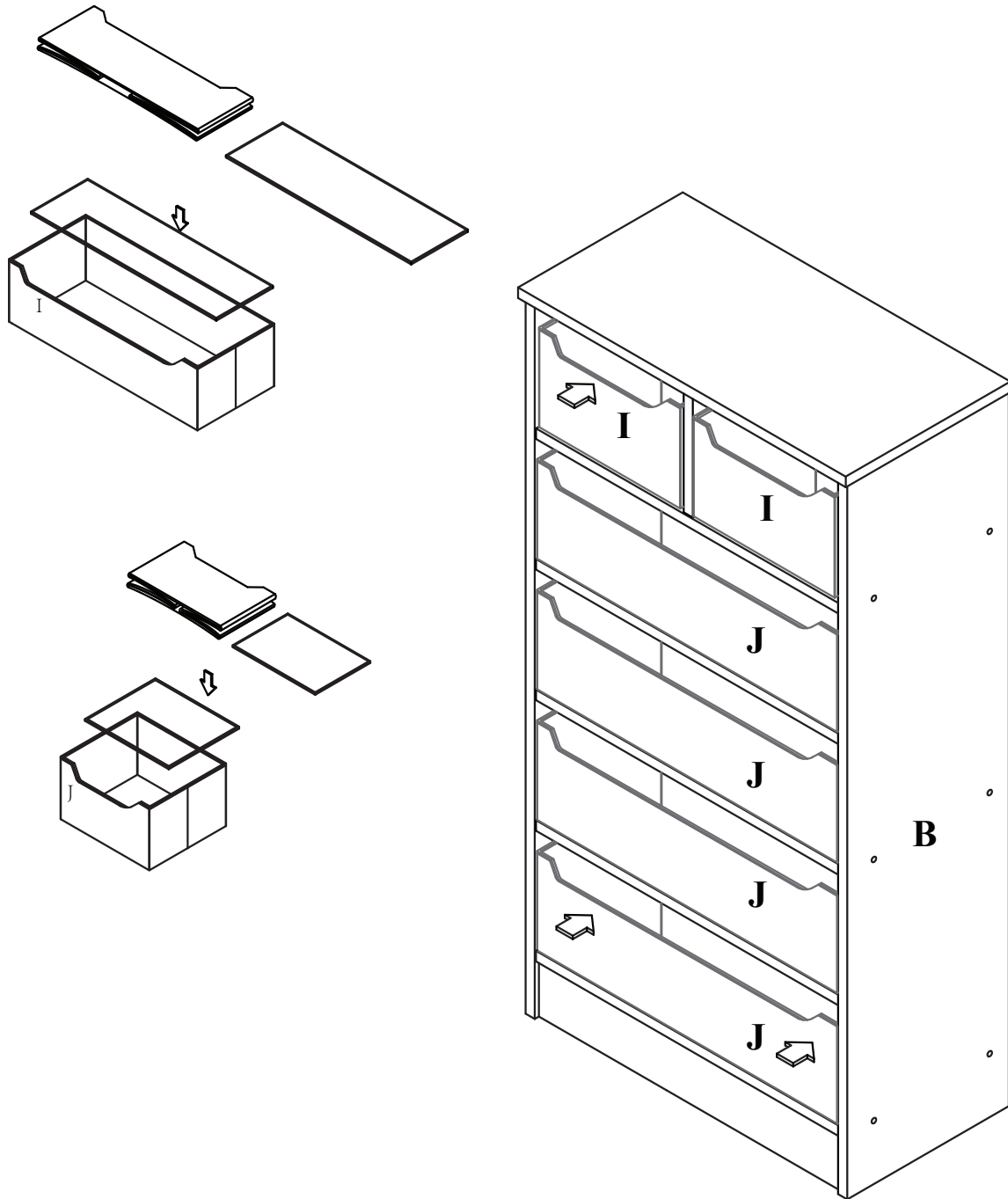


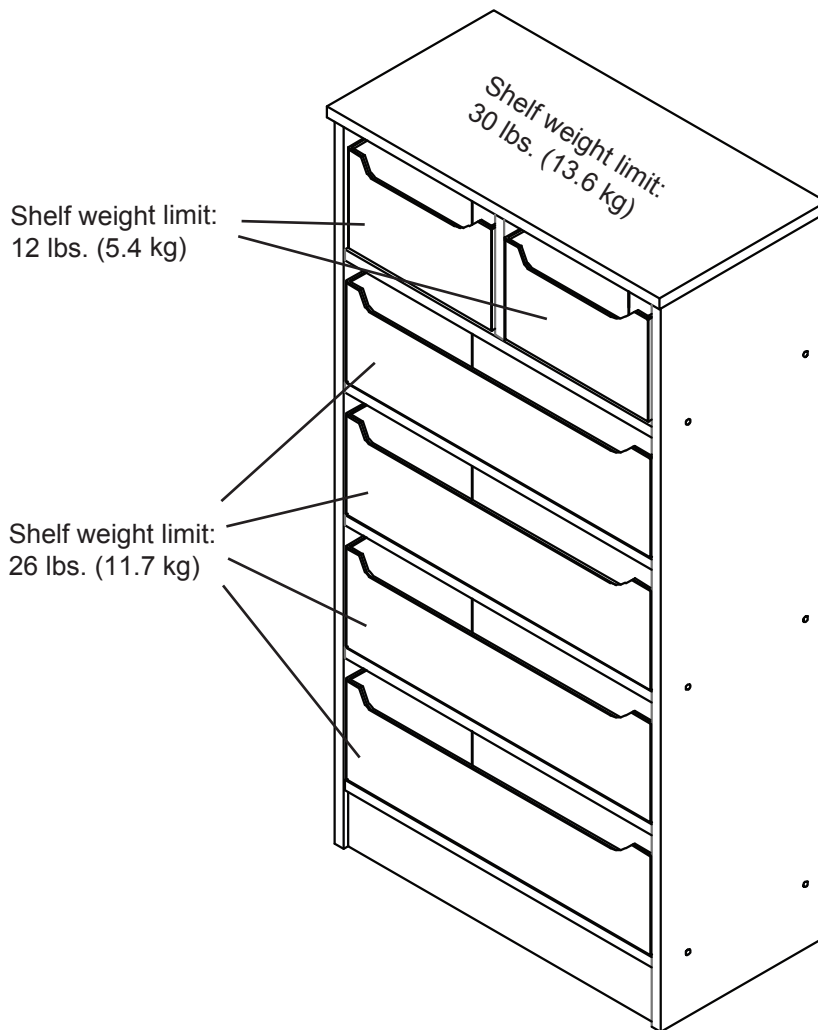
③ WITH GLUE - 1PC

STEP 4

UNFOLD THE BINS (I & J) AND INSERT THE CARDBOARD, AS SHOWN.

THEN SLIDE THE BINS (I & J) TO THE ASSEMBLED ORGANIZER, AS SHOWN.





This unit is intended for use only with the products and maximum weights indicated. Use with other products or products heavier than the maximum weights indicated may result in instability causing possible injury. Furniture can tip over or break if improperly moved. Have a friend help to lift and carry the unit to its new location.

Do you have any questions? Missing small parts or hardware?
If you need assistance with the assembly of your 6 DRAWER ORGANIZER please e-mail our Customer Service Department at: support@fourstari.com or call us at (508) 435-4830 or (800) 639-3803

Please include the following information in your email:

- Where item was purchased
- Item, model, style or SKU number listed on instructions or box
- Part number, description of the part and quantity needed

This information will help us get the proper part to you faster