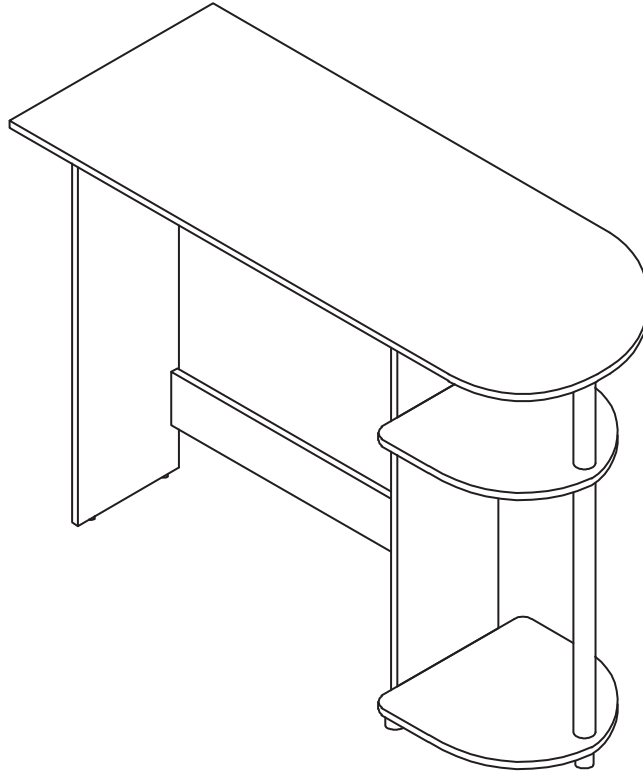




fourstargroup

ITEM: 11210850W

THIS INSTRUCTION BOOKLET CONTAINS **IMPORTANT** SAFETY INFORMATION. PLEASE READ AND KEEP FOR FUTURE REFERENCE. THIS INSTRUCTION MANUAL IS PRINTED ON RECYCLED PAPER USING EARTH FRIENDLY SOY BASED INK.



UPC#4893948120406 MODEL: 553626433

## COMPUTER DESK



**Do not return to the store**

Do you have any questions ? Missing small parts or hardware?  
If you need assistance with the assembly of your **COMPUTER DESK** please contact our Customer Service Department by visiting [www.fourstari.com](http://www.fourstari.com) or emailing us at [support@fourstari.com](mailto:support@fourstari.com) or call us at 508-473-7688 or 800-639-3803.

Please provide the following information:

1. Name of the store purchased from.
  2. Date of purchase.
  3. Item, Model, Style or SKU number listed on the instructions or box.
  4. Description of the actual item in question.
  5. Part number, Description of the part and quantity needed.
  6. Copy of proof of purchase from an authorized retailer is required.
- This information will help use fulfill your request efficiently.

LOT#308-100000

DATE PURCHASED

\_\_\_\_ / \_\_\_\_ / \_\_\_\_

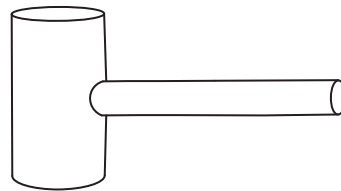
**BEFORE YOU BEGIN, PLEASE READ ASSEMBLY INSTRUCTIONS CAREFULLY. FOLLOW THEM STEP BY STEP.**

**CAUTION:**

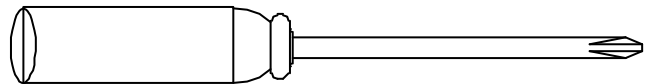
- 1. ADULT SUPERVISION IS REQUIRED DUE TO SMALL PARTS. CARE SHOULD BE TAKEN IN THE UNPACKING AND ASSEMBLY OF THE PRODUCT.**
- 2. ASSEMBLE ON SOFT SURFACES TO PREVENT DAMAGE TO THE PRODUCT FINISH.**
- 3. MAKE SURE ALL PARTS ARE INCLUDED BEFORE ASSEMBLY.**

**ASSEMBLY TOOLS REQUIRED**

**RUBBER MALLET**

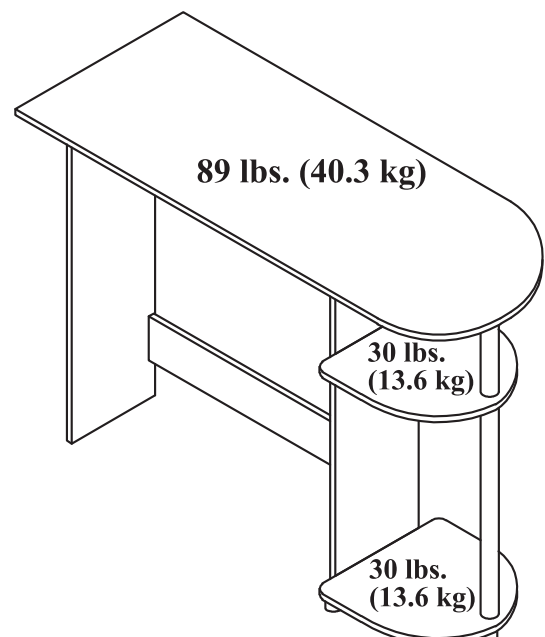


**SCREWDRIVER**



**WARNING!!!**

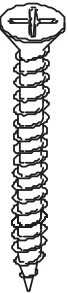

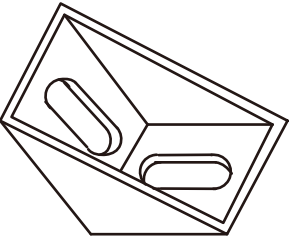
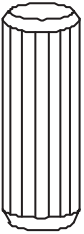

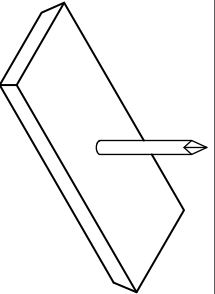
This unit is intended for use only with the products and maximum weights indicated. Use with other products or products heavier than the maximum weights indicated may result in instability causing possible injury. Furniture can tip over or break if improperly moved. Have a friend help to lift and carry the unit to its new location.








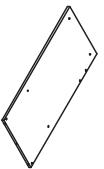




# PARTS AND HARDWARE

BEFORE YOU BEGIN, PLEASE FOLLOW ASSEMBLY INSTRUCTIONS CAREFULLY. FOLLOW THEM STEP BY STEP.

## HARDWARE LIST

PART NAME	LINE-ART DRAWING	SIZE	QTY
5 38MM SCREW		3.8cm Flat Head	12 PCS
6 12MM SCREW		1.2cm Flat Head	4 PCS
7 L BRACKET 20MM		2 x 2cm	2 PCS
8 WOODEN DOWEL		0.6 x 3cm	6 PCS
9 WHITE GLUE		N/A	1 PC
10 FOOT W/PIN		3.2cm x 1.3cm	4 PCS

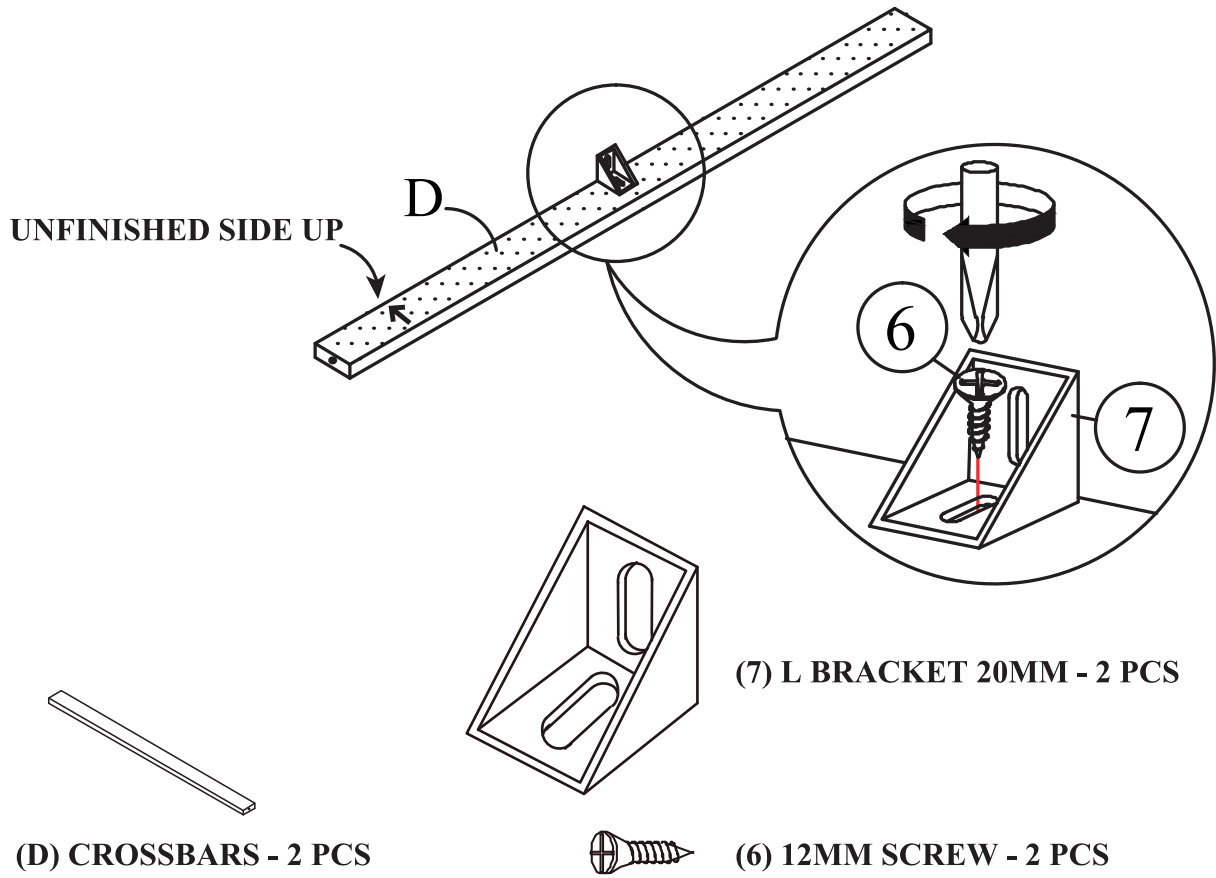
## PARTS LIST

PART NAME	LINE-ART DRAWING	SIZE	QTY
1 LONG TUBE		3.8 x 3.8 x 44cm	1 PC
2 MEDIUM TUBE		3.4 x 3.4 x 21.4cm	1 PC
3 FOOT		3.4 x 3.4 x 3.8cm	1 PC
A TOP PANEL WITH THE CAP INSERTED		80 x 39.5 x 1.5cm	1 PC
B LEFT SIDE PANEL		71.4 x 23 x 1.2cm	1 PC
C RIGHT SIDE PANEL		71.4 x 23 x 1.2cm	1 PC
D CROSSBAR		53.4 x 35 x 1.2cm	2 PCS
E BOTTOM BACK PANEL		53.4 x 90 x 1.2cm	1 PC
F SIDE CENTER SHELF		29.5 x 23 x 1.2cm	1 PC
G SIDE BOTTOM SHELF		34 x 23 x 1.2cm	1 PC

# ASSEMBLY INSTRUCTIONS

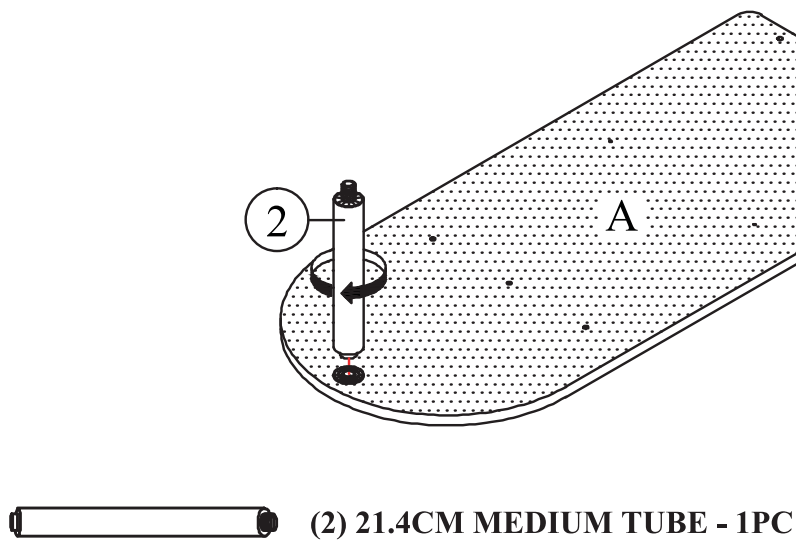
## STEP 1

ATTACH L-BRACKETS (7) TO BOTH CROSSBARS (D) USING SCREWS (6).



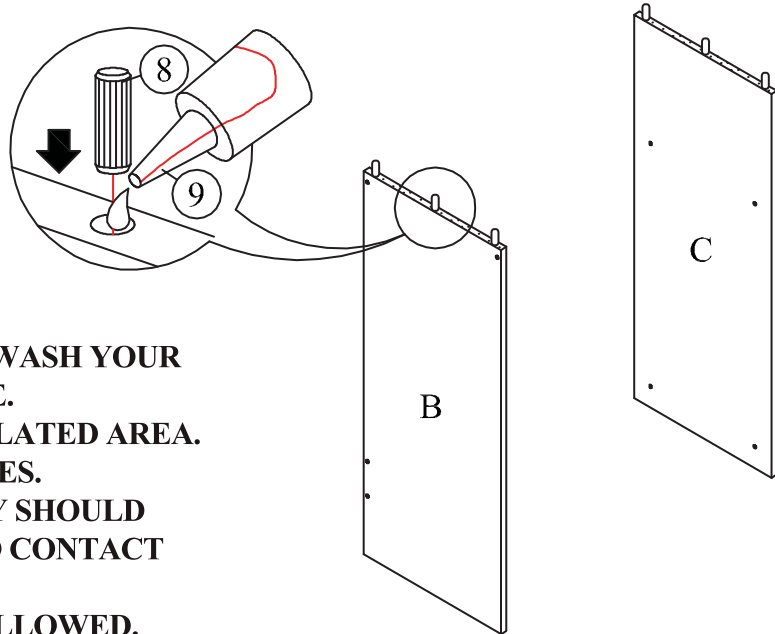
## STEP 2

ATTACH MEDIUM TUBE (2) TO INSERT CAP. DO NOT OVER TIGHTEN TUBE.



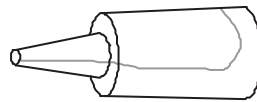
**STEP 3**

**INSERT DOWELS (8) INTO ONLY HALF OF THE DOWEL HOLES INTO THE TOP OF SIDE PANELS (B) & (C) WITH GLUE (9).**

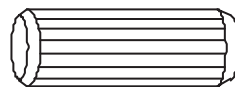


**WARNING!**

**AVOID CONTAMINATION, WASH YOUR HANDS AFTER USING GLUE.  
ONLY USE IN WELL-VENTILATED AREA.  
AVOID CONTACT WITH EYES.  
RINSE EYES IMMEDIATELY SHOULD THE PRODUCT COME INTO CONTACT WITH THEM.  
MAY BE HARMFUL IF SWALLOWED.  
USE UNDER ADULT SUPERVISION.**



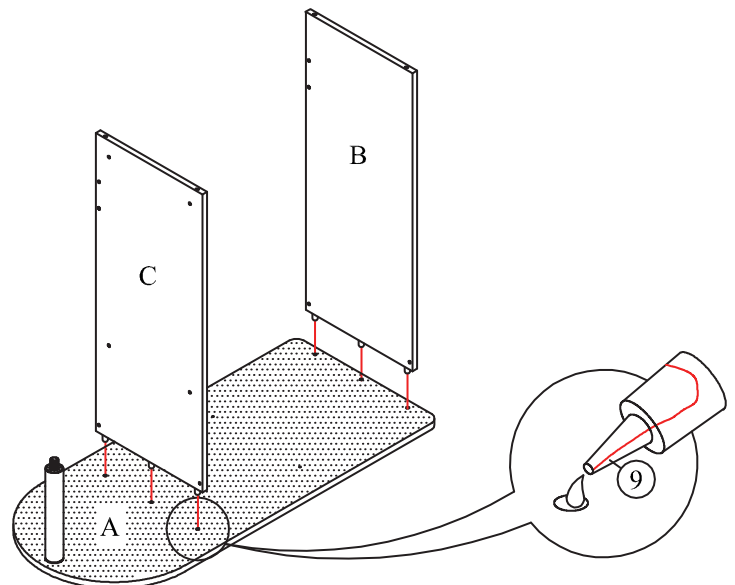
**(9) WHITE GLUE - 1 PC**



**(8) WOODEN DOWEL – 6 PCS**

**STEP 4**

**INSERT GLUE (9) INTO THE DOWEL HOLES AND ATTACHED SIDE PANELS (B) & (C) TO THE TOP PANEL.**



**WARNING!**

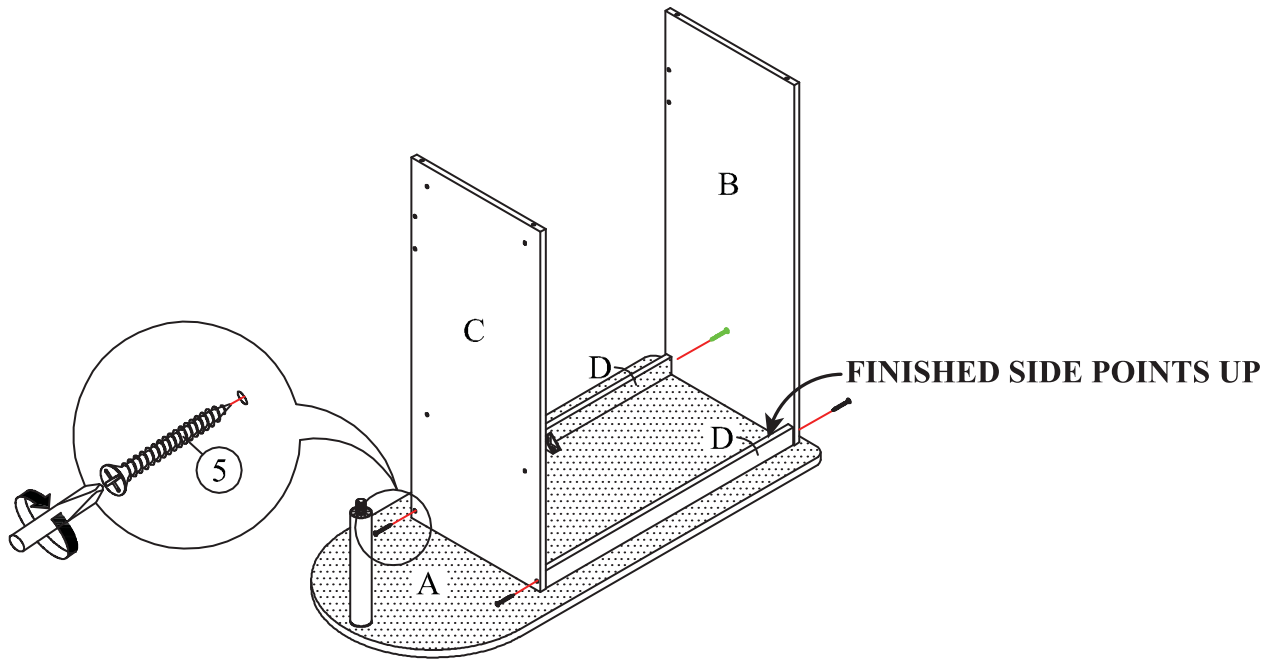
**AVOID CONTAMINATION, WASH YOUR HANDS AFTER USING GLUE.  
ONLY USE IN WELL-VENTILATED AREA.  
AVOID CONTACT WITH EYES.  
RINSE EYES IMMEDIATELY SHOULD THE PRODUCT COME INTO CONTACT WITH THEM.  
MAY BE HARMFUL IF SWALLOWED.  
USE UNDER ADULT SUPERVISION.**



**(9) WHITE GLUE - 1 PC**

**STEP 5**

**ATTACH CROSSBARS (D) TO SIDE PANEL (B) & (C) USING SCREW (5).**

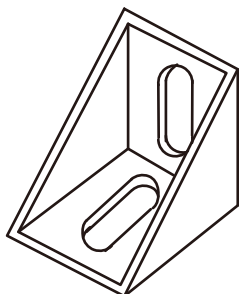
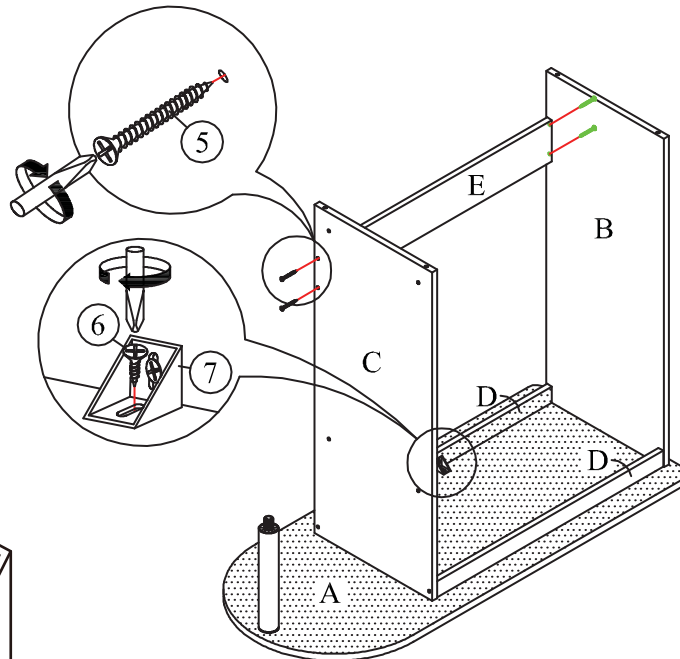


**(5) 38MM SCREW - 2 PCS**

**STEP 6**

**6.1 ATTACH L-BRACKET (7) TO TOP PANEL (A) USING SCREW (6)**

**6.2 ATTACH BACK PANEL (E) TO SIDE PANEL (B) & (C) USING SCREW (5)**



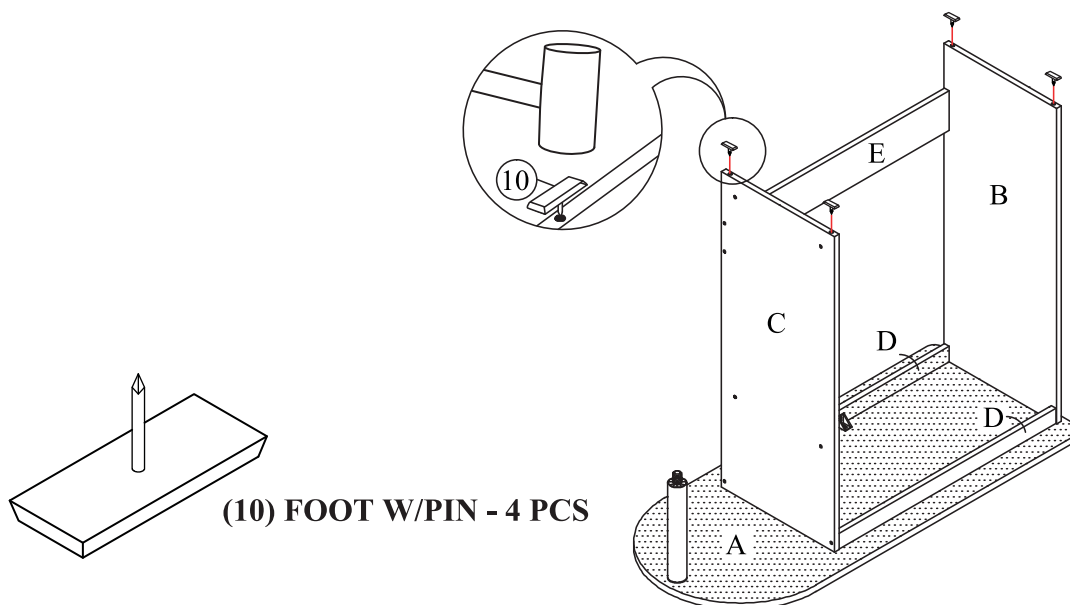
**(7) L BRACKET 20MM - 2 PCS**



**(5) 38MM SCREW - 2 PCS**

**STEP 7**

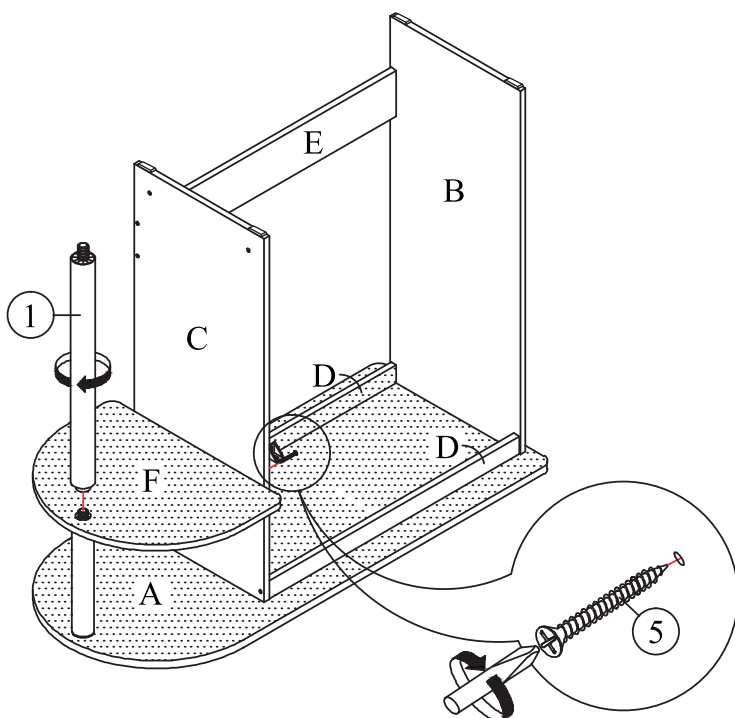
**ATTACH PLASTIC FOOT W/PIN (10) TO END OF SIDE PANELS (B) & (C) WITH MALLET.**



**(10) FOOT W/PIN - 4 PCS**

**STEP 8**

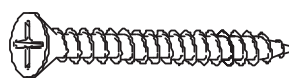
**ATTACH SIDE CENTER SHELF (F) TO SIDE PANEL (C) USING SCREWS (5). ATTACH LONG TUBE (1) TO MEDIUM TUBE (2). DO NOT OVER TIGHTEN TUBE.**



**(F) SIDE CENTER SHELF - 1 PC**



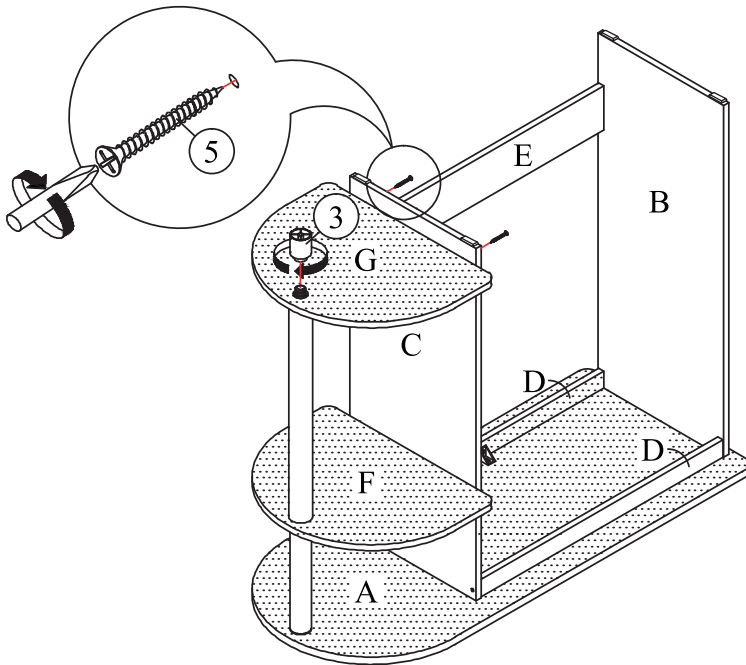
**(1) 44CM LONG TUBE - 1PC**



**(5) 38MM SCREW - 2 PCS**

**STEP 9**

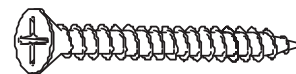
**ATTACH SIDE BOTTOM SHELF (G) TO SIDE PANEL (C) USING SCREWS (5).  
ATTACH FOOT (3) TO LONG TUBE (1).  
DO NOT OVER TIGHTEN FOOT.**



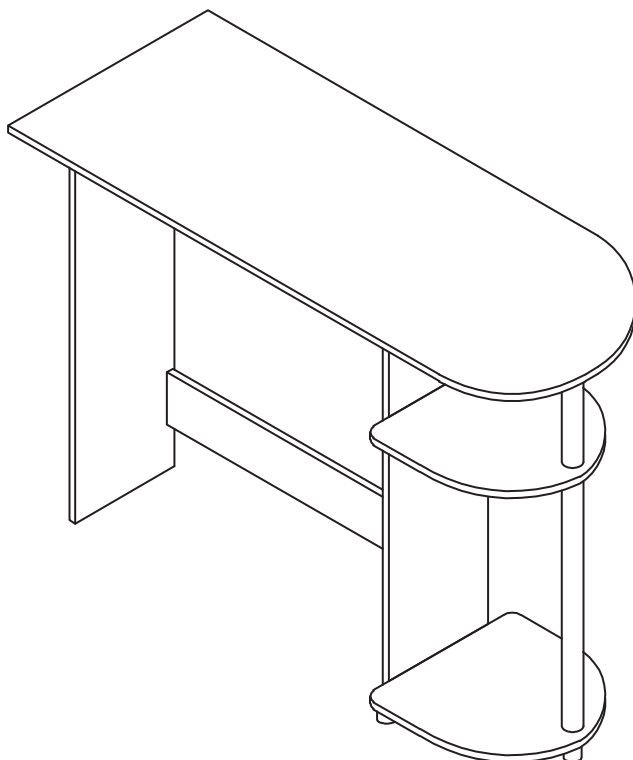
**(G) SIDE BOTTOM SHELF - 1 PC**



**(3) 3.8CM FOOT - 1 PC**



**(5) 38MM SCREW - 2 PCS**



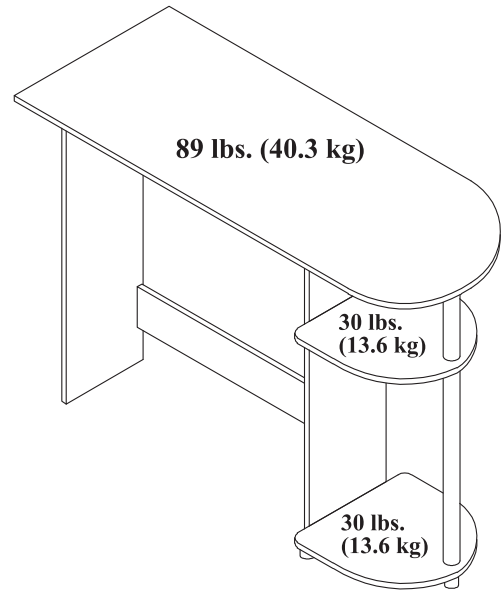
**To clean the computer desk, wipe with soft, dry cloth. Apply a small amount of cleaning solution to the cloth if required. Do not use abrasive cleaners in order to prevent the scratching the surfaces.**



## FINISHED

### WARNING!!!

This unit is intended for use only with the products and maximum weights indicated. Use with other products or products heavier than the maximum weights indicated may result in instability causing possible injury. Furniture can tip over or break if improperly moved. Have a friend help to lift and carry the unit to its new location.



### LIMITED 90 DAY WARRANTY

This product is warranted to be free from defects in material and workmanship for a period of 90 days from date of purchase. Warranty is valid for the original purchaser only; proof of purchase from an authorized retailer required. Warranty is limited to replacement of missing and/or defective part(s). If a part is proven defective within the term of this warranty, manufacturer will furnish a replacement part at no cost. No assembly or labor included. This warranty is your sole remedy of product defect and does not cover damage due to mishandling, neglect, moisture, misuse, abuse or non-residential use. The manufacturer is not responsible for incidental or consequential damages. This warranty gives you specific legal rights and you may also have other rights which may vary from state to state.



**Do not return to the store**

**Do you have any questions ? Missing small parts or hardware?  
If you need assistance with the assembly of your COMPUTER DESK  
please contact our Customer Service Department by visiting  
[www.fourstari.com](http://www.fourstari.com) or emailing us at [support@fourstari.com](mailto:support@fourstari.com) or call us at  
508-473-7688 or 800-639-3803 or write us at Fourstar Group Customer  
Service, 26840 Fargo Ave. , Suite C, Bedford Heights, OH 44146.**

# STOP!

**Missing Small Parts Or Hardware  
Or Need Assistance?**

**No Need To Go Back To The Store!**

The store where you made your purchase does not stock hardware for this item. If you need hardware or small parts, contact Customer Service. We will happily ship your part, free of charge, within 48 hours of your request.

**Please provide the following information:**

- Name of the store purchased from.
  - Date of purchase.
- Item, model, style or SKU number listed on the instructions or box.
- Description of the actual item in question.
  - Part number, description of the part and quantity needed.
  - Copy of proof of purchase from an authorized retailer is required

**This information will help use  
fulfill your request efficiently.**

**Contact Customer Service:  
Email us at [support@fourstari.com](mailto:support@fourstari.com) or visit  
[www.fourstari.com](http://www.fourstari.com)**

**Or Call Us At (508) 473-7688 or (800) 639-3803**

**Hours of Operation are:  
Monday – Friday 9am to 4pm Eastern Time**