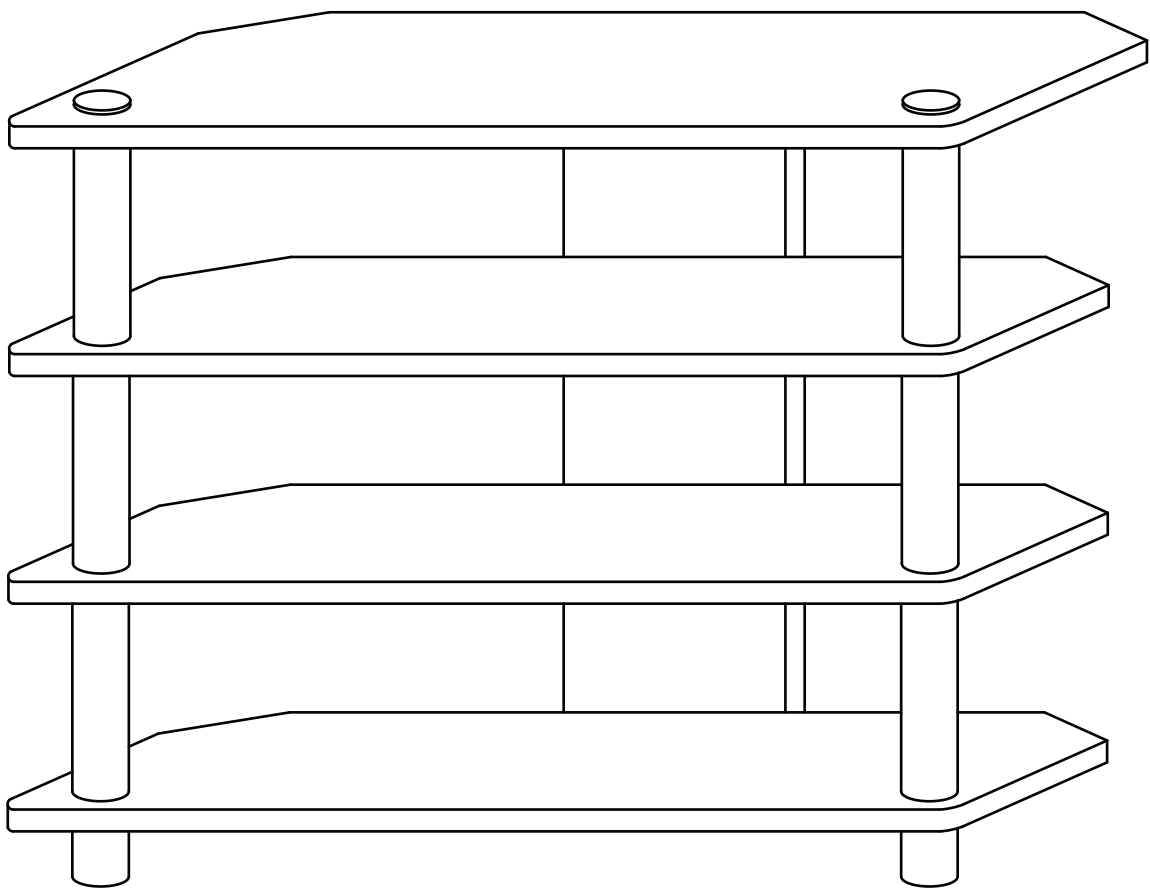






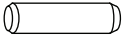


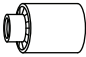
fourstargroup



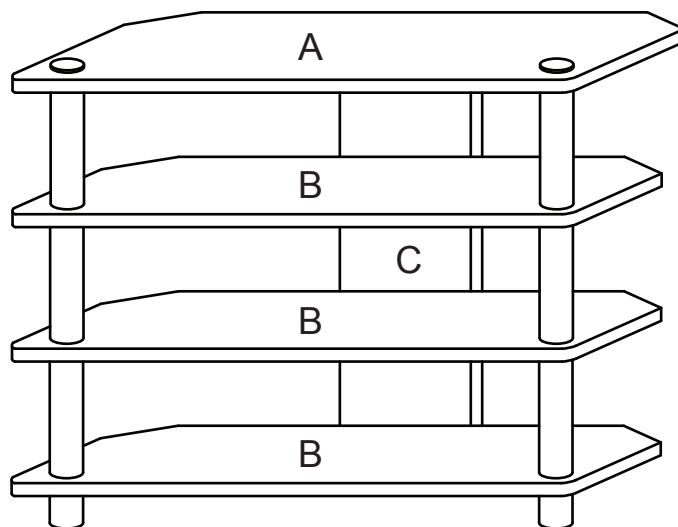
***MODEL: 11210652V***

**FOUR TIER AUDIO RACK**

# PARTS

NO	HARDWARE LIST	QTY
1	TUBE 	6 pcs
2	SCREW 	6 pcs
3	DOWEL 	2 pcs
4	NAIL WITH PIN 	2 pcs
5	CAP 	2 pcs
6	LEG 	2 pcs

NO	PARTS LIST	QTY
A	TOP PANEL	1 pc
B	SHELF PANEL	3 pcs
C	BACK PANEL	1 pc



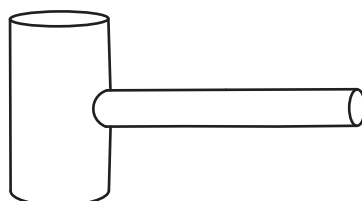
**BEFORE YOU BEGIN, PLEASE READ ASSEMBLY INSTRUCTIONS CAREFULLY. FOLLOW THEM STEP BY STEP.**

**CAUTION :**

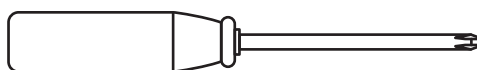
- 1. ADULT SUPERVISION IS REQUIRED DUE TO SMALL PARTS. CARE SHOULD BE TAKEN IN THE UNPACKING AND ASSEMBLY OF THE PRODUCT.**
- 2. ASSEMBLE ON SOFT SURFACES TO PREVENT DAMAGE TO THE PRODUCT FINISH.**
- 3. MAKE SURE ALL PARTS ARE INCLUDED BEFORE ASSEMBLY.**

**ASSEMBLY TOOLS REQUIRED**

**RUBBER MALLET**



**PHILLIPS  
SCREWDRIVER**

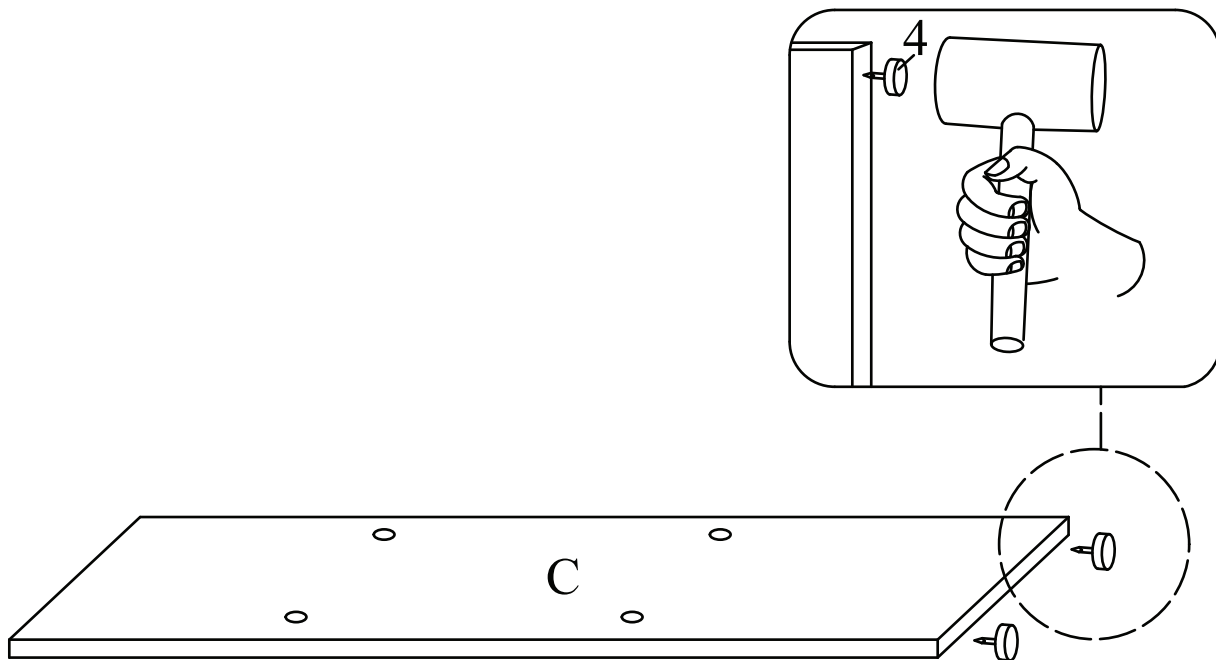


# ASSEMBLY INSTRUCTIONS

**BEFORE YOU BEGIN, PLEASE READ ASSEMBLY INSTRUCTIONS CAREFULLY. FOLLOW THEM STEP BY STEP.**

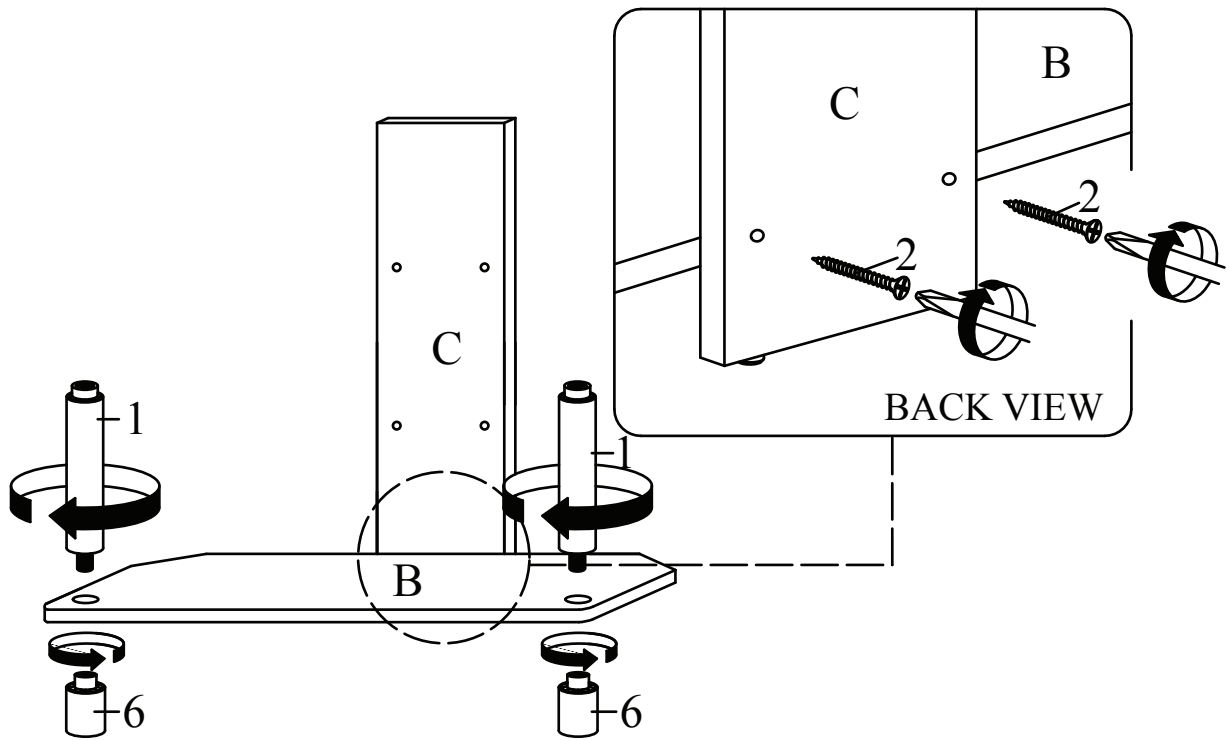
## STEP 1

**ATTACH 2PCS NAIL WITH PINS ( 4 ) TO BACK PANEL ( C ) AS SHOWN.**



**④ NAIL WITH PIN - 2 PCS**

**STEP 2**  
**ATTACH TUBES ( 1 ) AND LEGS ( 6 ) TO A SHELF PANEL ( B )**  
**AND THEN USING SCREWS ( 2 ) TO BACK PANEL ( C )**  
**AS SHOWN.**



① TUBE - 2 PCS

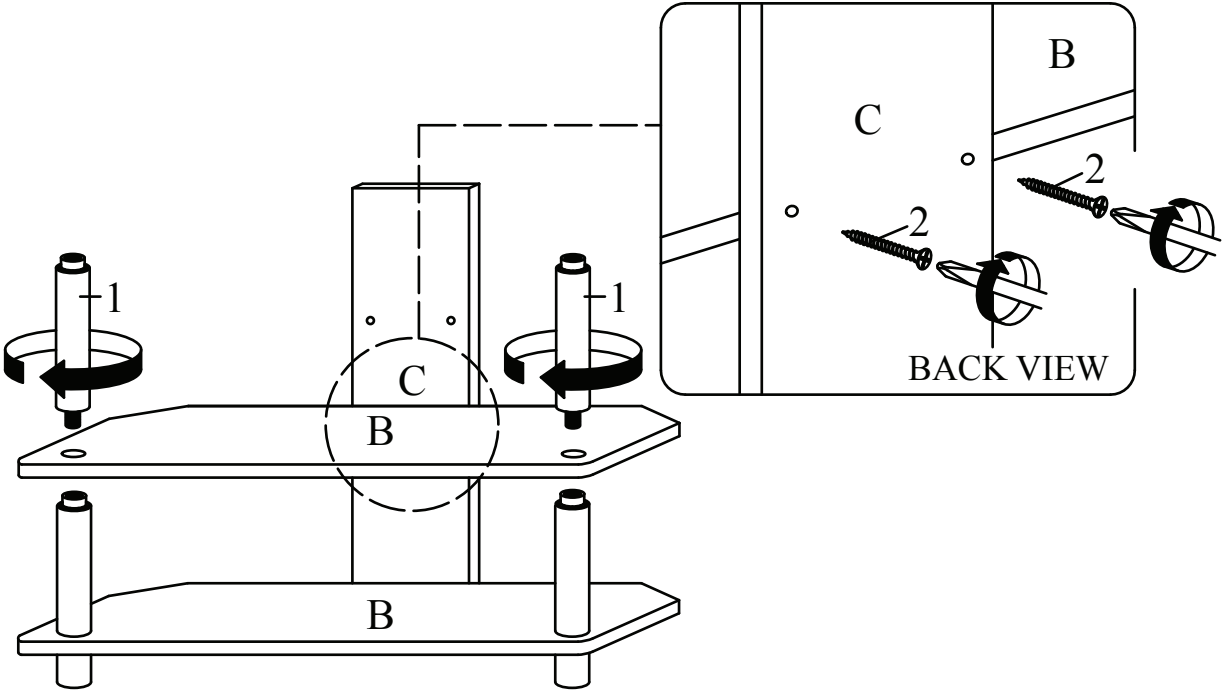


② SCREW - 2 PCS



⑥ LEG - 2 PCS

**STEP 3**  
**ATTACH SHELF PANEL ( B ) TO ASSEMBLED FROM STEP 2**  
**USING TUBES ( 1 ) AND SCREWS ( 2 ) AS SHOWN.**

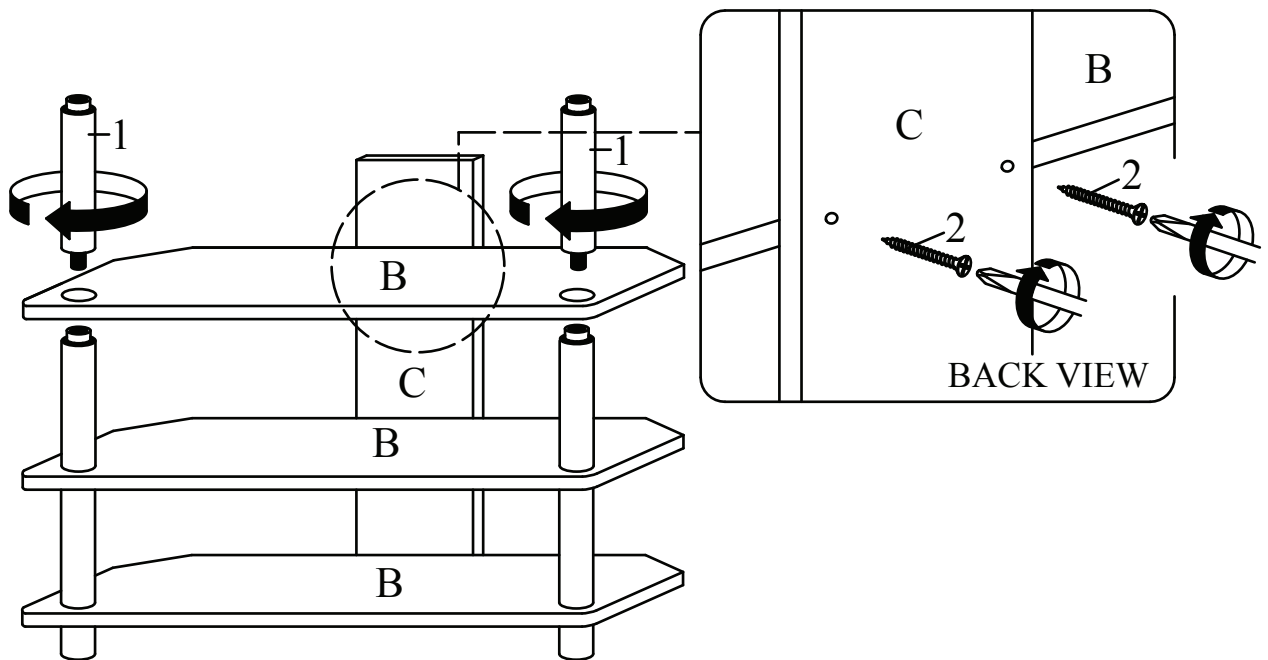


**① TUBE - 2 PCS**



**② SCREW - 2 PCS**

**STEP 4**  
**ATTACH SHELF PANEL ( B ) TO PREVIOUSLY ASSEMBLED SECTION FROM STEP 3 USING TUBES ( 1 ) AND SCREWS ( 2 ) AS SHOWN.**



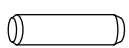
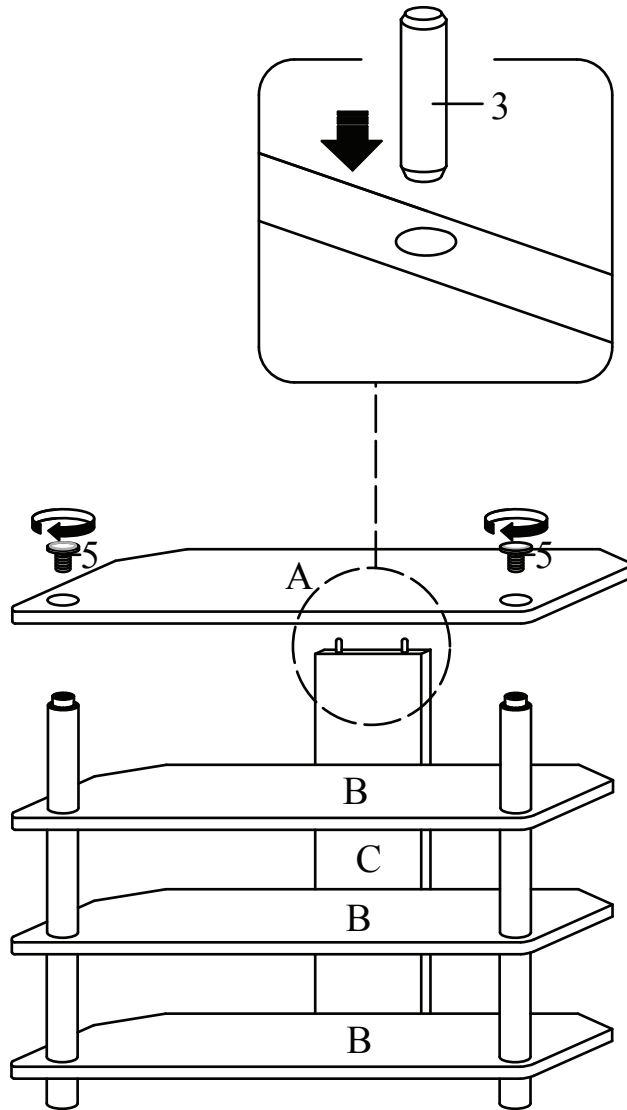
① TUBE - 2 PCS



② SCREW - 2 PCS

**STEP 5**

**ATTACH TOP PANEL ( A ) TO PREVIOUSLY ASSEMBLED SECTION FROM STEP 4 USING DOWELS ( 3 ) AND CAPS ( 5 ) AS SHOWN.**

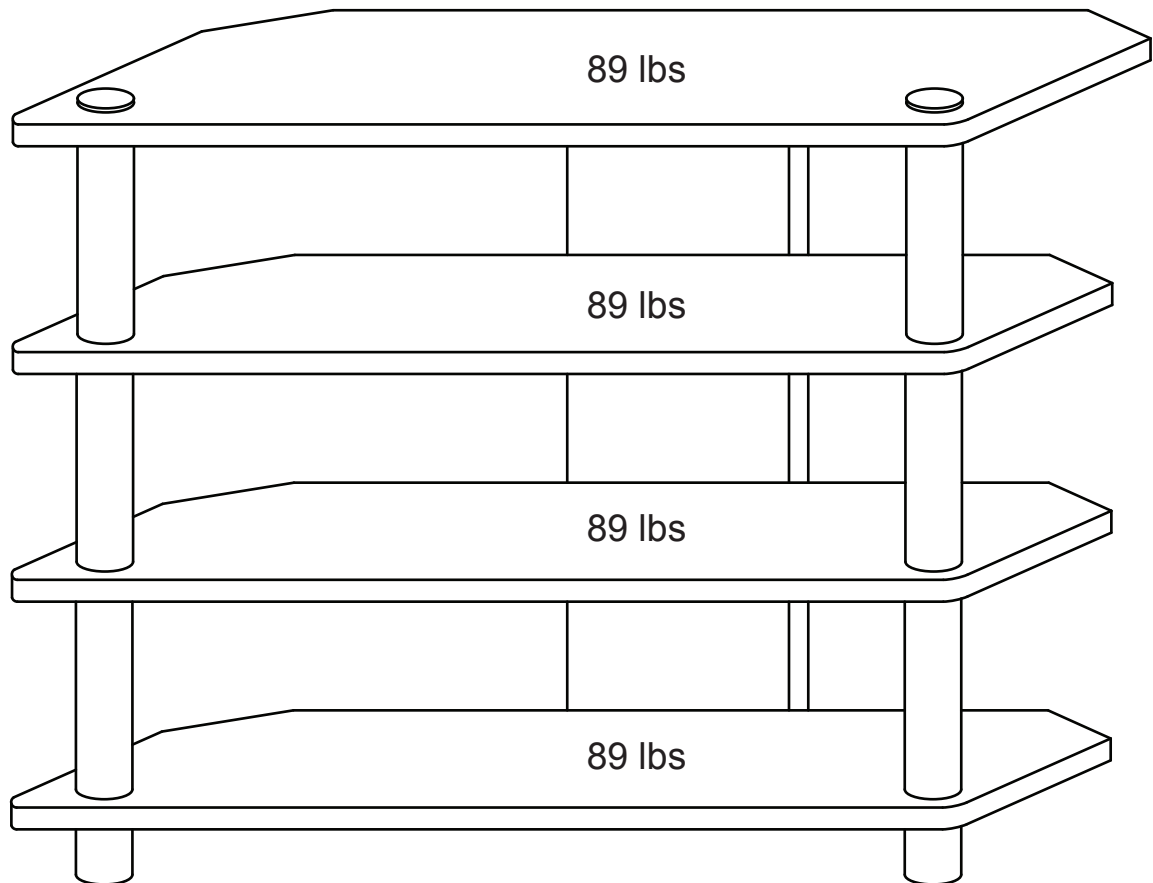


**③ DOWEL - 2 PCS**



**⑤ CAP - 2 PCS**





This unit is intended for use only with the products and maximum weights indicated. Use with other products or products heavier than the maximum weights indicated may result in instability causing possible injury. Furniture can tip over or break if improperly moved. Have a friend help to lift and carry the unit to its new location.

Do you have any questions ? Missing small parts or hardware?  
If you need assistance with the assembly of your 4 Tier Audio Rack please e-mail our Customer Service Department at:  
**support@fourstari.com**  
or call us at **(508) 435-4830**  
or (800) 639-3803

Please include the following information in your email:

- Where item was purchased
- Item, model, style or SKU number listed on instructions or box
- Part number, description of the part and quantity needed

This information will help us get the proper part to you faster