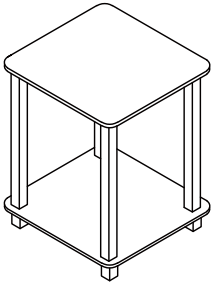




MODEL 11210348CB SET OF 2 END TABLE

BEFORE YOU BEGIN, PLEASE READ ASSEMBLY INSTRUCTIONS CAREFULLY. FOLLOW THEM STEP BY STEP.

Total maximum weight limits 45 Lbs.
Each shelf 22.5 Lbs



BEFORE YOU BEGIN, PLEASE READ ASSEMBLY INSTRUCTIONS CAREFULLY. FOLLOW THEM STEP BY STEP.

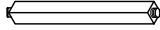


CAUTION:

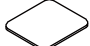
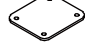
1. ADULT SUPERVISION IS REQUIRED DUE TO SMALL PARTS. CARE SHOULD BE TAKEN IN THE UNPACKING AND ASSEMBLY OF THE PRODUCT.
2. ASSEMBLE ON SOFT SURFACES TO PREVENT DAMAGE TO THE PRODUCT FINISH.
3. MAKE SURE ALL PARTS ARE INCLUDED BEFORE ASSEMBLY.
4. NOT FOR USE ON HIGH PILE CARPETING.
5. PLACE DESK ON FLAT LEVEL SURFACE.

Do you have any questions? Missing small parts or hardware? If you need assistance with the assembly of your SET OF 2 END TABLE please e-mail our Customer Service Department at: support@fourstari.com or call us at (800) 639-3803 if calling locally from Massachusetts area

Please include the following information in your email:

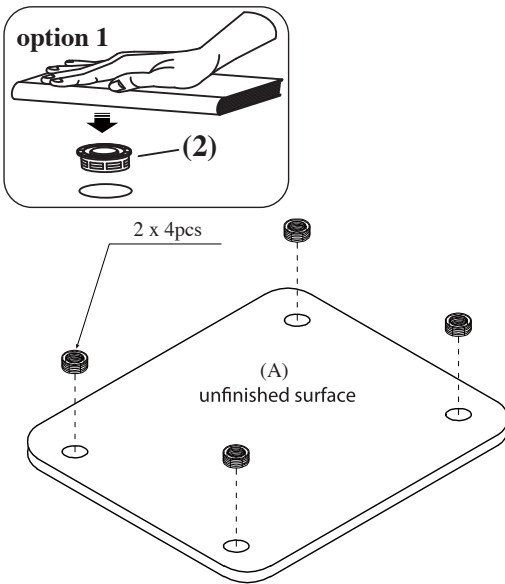
- Where item was purchased
 - Item, model, style or SKU number listed on instructions or box
 - Part number, description of the part and quantity needed
- This information will help us get the proper part to you faster

| NO | HARDWARE LIST | QTY |
|----|---|-------|
| 1 | SQ. LONG POLE  | 4 PCS |
| 2 | INSERT CAP  | 4 PCS |
| 3 | SQUARE LEG  | 4 PCS |

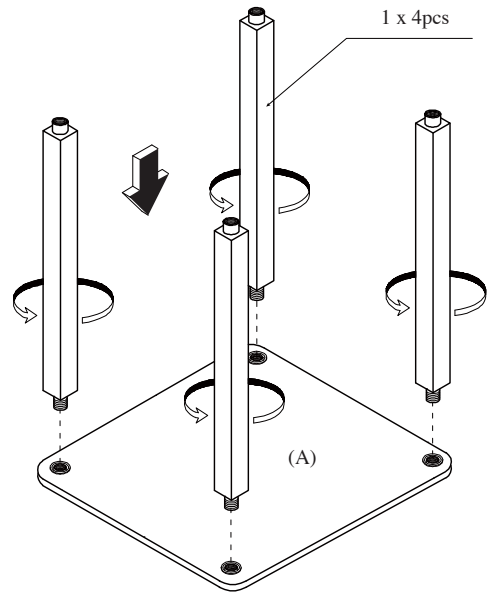
| NO | PARTS LIST | QTY |
|----|---|------|
| A | TOP PANEL  | 1 PC |
| B | SHELF PANEL  | 1 PC |

ASSEMBLY INSTRUCTIONS

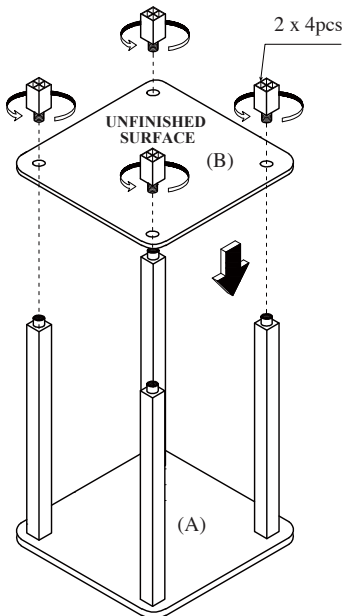
STEP 1
INSTALL INSERT CAP (2) INTO PANEL (A), PUSH DOWN FIRMLY.



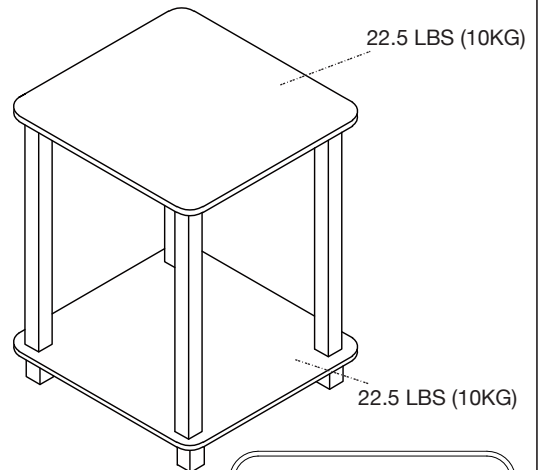
STEP 2
ATTACH SQUARE POLE (1) TO PANEL (A) AND TIGHTEN IT.



STEP 3
ATTACH SQUARE LEG (3) TO PANEL (B) AND TIGHTEN IT.



STEP 4
UPRIGHT THE UNIT.



CAUTION: MAXIMUM LOADING CAPACITY IS 45 LBS.
DO NOT SIT, STAND, LEAN, WALK CLIMB OR JUMP ON FURNITURE! FAILURE TO COMPLY WITH THIS CAUTION COULD RESULT IN PERSONAL INJURY AND/OR PROPERTY DAMAGE!

This unit is intended for use only with the products and maximum weights indicated. Use with other products or products heavier than the maximum weights indicated may result in instability causing possible injury. Furniture can tip over or break if improperly moved. Have a friend help to lift and carry the unit to it's new location.